

# ***SKYTRAK***<sup>®</sup>

---

## ***Illustrated Parts Manual***

### ***Model 6042***

S/N 17019 thru 19897  
& 0160002408 thru  
0160045063 excluding  
0160042742, 0160042747  
& 0160042755

**8990467**

*Revised  
June 22, 2012*

***JLG***<sup>®</sup>  
An Oshkosh Corporation Company

---



## EFFECTIVITY PAGE

May 18th, 2005 - B - Revised Manual

April 17, 2008 - C - Revised Manual (Manual edited to B/M - 0010621 Revision 30)

January 19, 2009 - D - Revised Manual

August 4, 2009 - E - Revised Manual

July 14, 2010 - F - Revised Manual

February 24, 2011 - G - Revised Manual

December 20, 2011 - H - Revised Manual

February 22, 2012 - I - Revised Manual

April 9, 2012 - J - Revised Manual

June 22, 2012 - K - Revised Manual

# EFFECTIVITY PAGE

# TABLE OF CONTENTS

FIGURE NO.	TITLE	PAGE NO.
<b>SECTION 1 –</b>		
<b>FRAME &amp; ATTACHING PARTS</b> .....		<b>1-1</b>
1-1	Main Frame Components .....	1-2
1-2	Hoods & Guards .....	1-10
<b>SECTION 2 –</b>		
<b>BOOM</b> .....		<b>2-1</b>
2-1	First Boom Section .....	2-2
2-2	Second Boom Section .....	2-8
2-3	Third Boom Section .....	2-10
2-4	Quick Attach .....	2-12
2-5	Boom Extend Chains .....	2-14
2-6	Boom Retract Chain .....	2-16
<b>SECTION 3 –</b>		
<b>ATTACHMENTS</b> .....		<b>3-1</b>
3-1	Utility Bucket .....	3-2
3-2	Tilt Carriage .....	3-4
3-3	Side Tilt Carriage .....	3-8
3-4	Swing Carriage .....	3-12
3-5	Sheet Material Handler .....	3-16
3-6	3 Ft Truss Boom With Winch .....	3-20
3-7	12 Ft Truss Boom With Winch .....	3-22
3-8	Truss Boom .....	3-24
3-9	Lifting Hook .....	3-28
3-10	Forks .....	3-30
3-11	Fork Mounted Platform .....	3-32
3-12	Sweeper Assembly .....	3-36
3-13	Concrete Bucket .....	3-38
3-14	Grapple Bucket .....	3-40
3-15	Fork Pin Lock Installation .....	3-42
3-16	Dual Fork Positioning Carriage Assembly .....	3-44
3-17	8 Ft Standard Mast .....	3-46
<b>SECTION 4 –</b>		
<b>ENGINE &amp; ATTACHING PARTS</b> .....		<b>4-1</b>
4-1	Engine Mounting .....	4-2
4-2	Fuel System .....	4-10
4-3	Radiator & Oil Cooler Mounting .....	4-14
4-4	Air Cleaner Assembly .....	4-22
4-5	Exhaust System .....	4-28
4-6	Isolation Coupler .....	4-36

# TABLE OF CONTENTS

FIGURE NO.	TITLE	PAGE NO.
<b>SECTION 5 –</b>		
<b>DRIVE TRAIN</b> .....		<b>5-1</b>
5-1	Drive Train Components .....	5-2
5-2	Front Axle .....	5-4
5-3	Front Axle - Input .....	5-6
5-4	Front Axle - Limited Slip Differential .....	5-14
5-5	Front Axle - Axle Casing .....	5-18
5-6	Front Axle - M-Disk Brake .....	5-22
5-7	Front Axle - Brake .....	5-28
5-8	Front Axle - Joint Housing .....	5-32
5-9	Front Axle - Planetary Drive .....	5-36
5-10	Rear Axle .....	5-40
5-11	Rear Axle - Input .....	5-42
5-12	Rear Axle - Differential .....	5-50
5-13	Rear Axle - Axle Casing .....	5-54
5-14	Rear Axle - M-Disk Brake .....	5-58
5-15	Rear Axle - Brake .....	5-64
5-16	Rear Axle - Joint Housing .....	5-66
5-17	Rear Axle - Planetary Drive .....	5-72
5-18	ZF Transmission .....	5-76
5-19	ZF Transmission - Engine Connection & Converter .....	5-78
5-20	ZF Transmission - Input Shafts .....	5-80
5-21	ZF Transmission - Gearbox Housing .....	5-82
5-22	ZF Transmission - Coupling Group 1 .....	5-84
5-23	ZF Transmission - Coupling Group 2 .....	5-86
5-24	ZF Transmission - Coupling Group 3 .....	5-88
5-25	ZF Transmission - Coupling Group 4 .....	5-90
5-26	ZF Transmission - Reversing Gear Group I .....	5-92
5-27	ZF Transmission - Reversing Gear Group 2 .....	5-94
5-28	ZF Transmission - Output .....	5-96
5-29	ZF Transmission - Control Unit .....	5-98
5-30	ZF Transmission - Valve Housing Assembly .....	5-100
5-31	ZF Transmission - Valve Block Assembly .....	5-104
5-32	ZF Transmission - Oil Pump & Filter .....	5-106
5-33	Drive Shafts .....	5-108
5-34	Tires & Rims (Pneumatic) .....	5-110
5-35	Tires & Rims (Foam Filled & Solid) .....	5-114
<b>SECTION 6 –</b>		
<b>CAB</b> .....		<b>6-1</b>
6-1	Open Cab .....	6-2
6-2	Closed Cab .....	6-6
6-3	Soft Cab Enclosure .....	6-14
6-4	Cab Door .....	6-16
6-5	Operators Seat .....	6-18

# TABLE OF CONTENTS

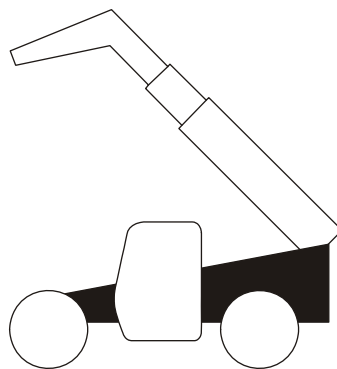
FIGURE NO.	TITLE	PAGE NO.
6-6	Front Windshield Wiper .....	6-22
6-7	Skylight Windshield Wiper .....	6-24
6-8	Cab Heater .....	6-26
<b>SECTION 7 –</b>		
<b>CONTROLS .....</b>		<b>7-1</b>
7-1	Service Brake Pedal Control .....	7-2
7-2	Throttle Pedal Control .....	7-6
7-3	Steering Wheel & Shifter .....	7-12
7-4	Control Console .....	7-14
7-5	Boom Lift/Lower & Extend/Retract Control .....	7-16
7-6	Frame Sway & Attachment Tilt Control .....	7-18
7-7	Auxiliary Hydraulic Control .....	7-20
<b>SECTION 8 –</b>		
<b>HYDRAULIC CIRCUITS .....</b>		<b>8-1</b>
8-1	Service Brake & De-Clutch .....	8-2
8-2	Boom Lift/Lower & Extend/Retract .....	8-10
8-3	Attachment Tilt & Slave .....	8-12
8-4	Frame Sway .....	8-16
8-5	Power Steering .....	8-18
8-6	Control Valves .....	8-20
8-7	Auxiliary Hydraulic .....	8-24
8-8	Transmission Cooler .....	8-26
8-9	Oil Cooler .....	8-32
<b>SECTION 9 –</b>		
<b>HYDRAULIC COMPONENTS .....</b>		<b>9-1</b>
9-1	Boom Extend/Retract Cylinder .....	9-2
9-2	Boom Lift/Lower Cylinder .....	9-4
9-3	Frame Sway Cylinder .....	9-10
9-4	Attachment Tilt Cylinder .....	9-16
9-5	Stabil-Trak Cylinder .....	9-18
9-6	Slave Cylinder .....	9-22
9-7	Gear Pump .....	9-28
9-8	Main Control Valve .....	9-30
9-9	Directional Control Valves .....	9-32
9-10	Fuel/Hydraulic Tank Assembly .....	9-36
9-11	Grapple Bucket Cylinder .....	9-40
9-12	Side Tilt Carriage Cylinder .....	9-42
9-13	72 In 90 Degree Swing Carriage Cylinder .....	9-44
9-14	Brake Valve .....	9-46

# TABLE OF CONTENTS

FIGURE NO.	TITLE	PAGE NO.
<b>SECTION 10 –</b>		
	<b>ELECTRICAL</b> .....	<b>10-1</b>
10-1	Cab Harness .....	10-2
10-2	Engine Harness .....	10-6
<b>SECTION 11 –</b>		
	<b>DECALS</b> .....	<b>11-1</b>
11-1	Decals .....	11-2
<b>SECTION 12 –</b>		
	<b>OPTIONS</b> .....	<b>12-1</b>
12-1	Worklight Installation .....	12-2
12-2	Roadlight Installation .....	12-4
12-3	Swing Carriage Cylinder .....	12-12
12-4	Side Tilt Carriage Cylinder .....	12-16
12-5	Cold Start Installation .....	12-18
12-6	Fender Installation .....	12-26
12-7	Rotating Beacon Installation .....	12-28
12-8	Remote Oil Filler .....	12-30
12-9	Ignition Switch Weather Kit .....	12-32
12-10	Exhaust Upgrade Kit .....	12-34
<b>SECTION 13 –</b>		
	<b>RECOMMENDED SPARE PARTS</b> .....	<b>13-1</b>
<b>SECTION 14 – PART NUMBER INDEX</b> .....		
		<b>14-1</b>

# SECTION 1

## FRAME & ATTACHING PARTS

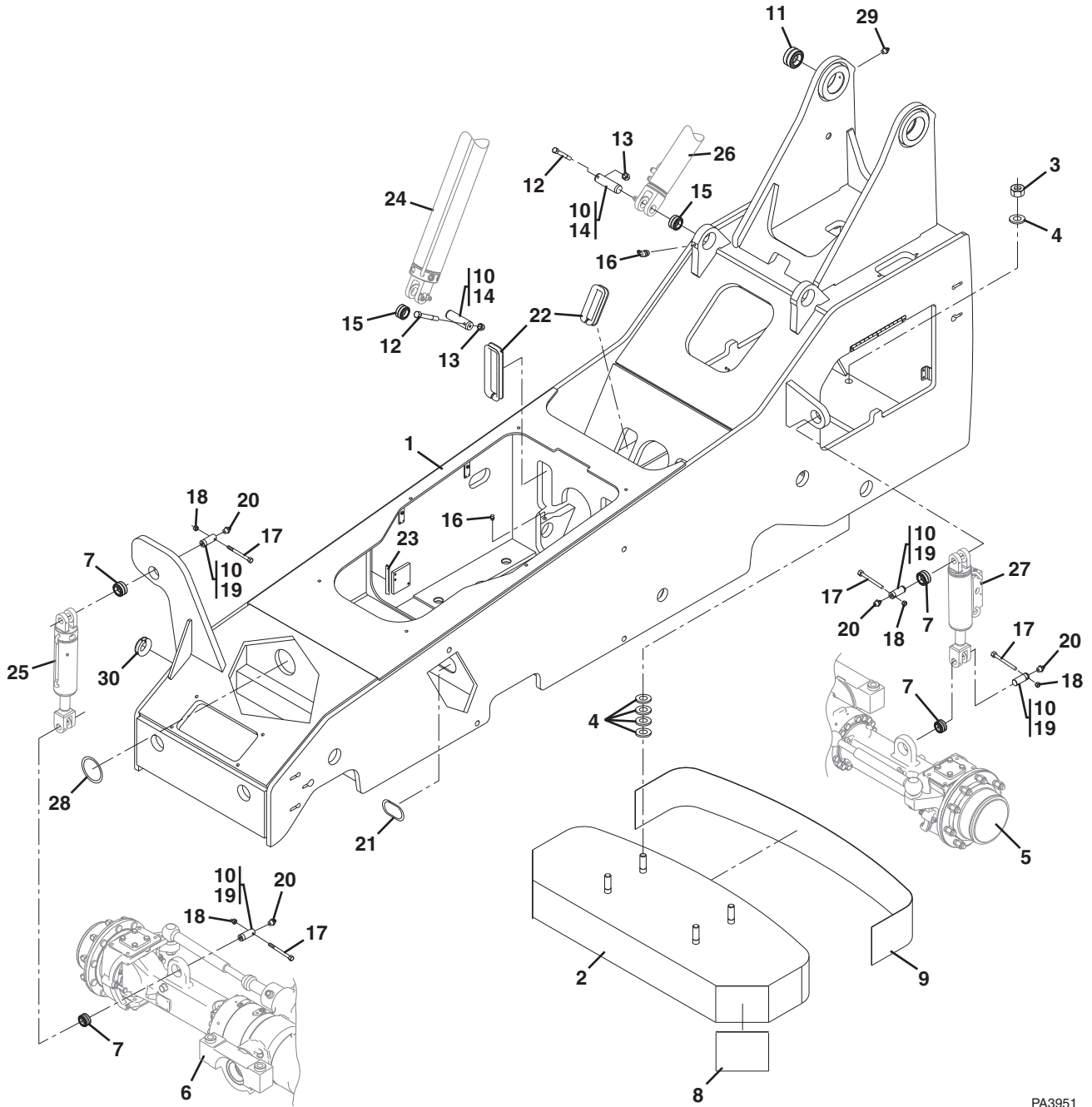




# FRAME & ATTACHING PARTS

S/N 17019 thru 19897  
& 0160002408 thru 0160003867

### Figure 1-1 Main Frame Components



PA3951

**Figure 1-1 Main Frame Components**

Item	Part Number	Qty.	Description	Rev.
1	NSS	1	FRAME WELDMENT	
2	7300762	1	COUNTERWEIGHT	
3	8310481	4	HEX NUT, 1-8	
4	8310066	20	PLAIN WASHER, 1	
5		Ref	REAR AXLE, (see Figure 5-10 for details)	
6		Ref	FRONT AXLE, (see Figure 5-2 for details)	
7	8050001	4	BEARING, (self align)	
8	7300777	2	COUNTERWEIGHT WRAPPER	
9	7300765	1	COUNTERWEIGHT WRAPPER	
10	8522012	AR	ANTI-SEIZE LUBE, (apply to items 14 & 19)	
11	8065641	2	BEARING, (self align)	
12	8303782	4	HEX HD CAPSCREW, 1/2-13X4, GR5	
13	8305644	4	HEX LOCKNUT, 1/2-13	
14	7092292	4	LIFT/LOWER & SLAVE CYLINDERS PIN	
15	8065640	2	BEARING, (self align)	
16	8520021	4	LUBE FITTING, 90 DEGREES, 1/8	
17	8303752	4	HEX HD CAPSCREW, 5/16-18X3-1/2, GR5	
18	8305626	4	HEX LOCKNUT, 5/16-18	
19	7137142	4	CYLINDER PIN	
20	8520001	4	LUBE FITTING, STRAIGHT, 1/8	
21	7124301	AR	CONDUIT, .50X15.5, (cut to fit)	
22	7139156	AR	CONDUIT, 1.0X28, (cut to fit)	
23	7125871	AR	CONDUIT, .50X8, (cut to fit)	
24		Ref	BOOM LIFT/LOWER CYLINDER, (see Figure 9-2 for details)	
25		Ref	FRAME SWAY CYLINDER, (see Figure 9-3 for details)	
26		Ref	SLAVE CYLINDER, (see Figure 9-6 for details)	
27		Ref	STABIL-TRAK CYLINDER, (see Figure 9-5 for details)	
28	7139613	AR	CONDUIT, 1.0X18, (cut to fit)	
29	8520013	2	LUBE FITTING, STRAIGHT, 1/8	
30	7124471	AR	CONDUIT, 1.0X12.5, (cut to fit)	



# FRAME & ATTACHING PARTS

S/N 0160003879 thru 0160004368

### Figure 1-1 Main Frame Components

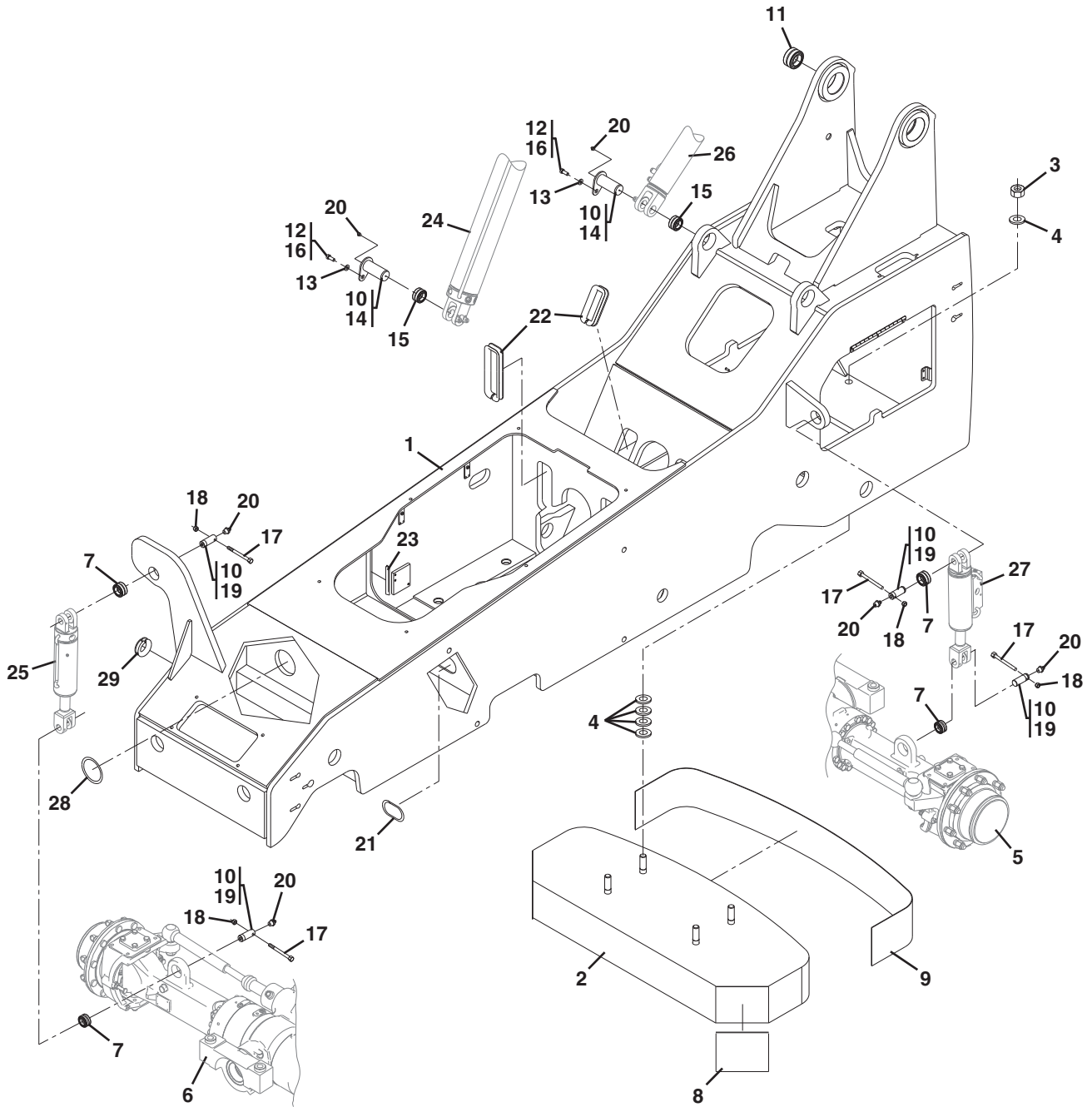




Figure 1-1 Main Frame Components

Item	Part Number	Qty.	Description	Rev.
1	NSS	1	FRAME WELDMENT	
2	7300762	1	COUNTERWEIGHT	
3	8310481	4	HEX NUT, 1-8	
4	8310066	20	PLAIN WASHER, 1	
5		Ref	REAR AXLE, (see Figure 5-10 for details)	
6		Ref	FRONT AXLE, (see Figure 5-2 for details)	
7	8050001	4	BEARING, (self align)	
8	7300777	2	COUNTERWEIGHT WRAPPER	
9	7300765	1	COUNTERWEIGHT WRAPPER	
10	8522012	AR	ANTI-SEIZE LUBE, (apply to items 14 & 19)	
11	8065641	2	BEARING, (self align)	
12	8303625	4	HEX HD CAPSCREW, 1/2-13X1-1/4, GR5	
13	8310056	4	HARD WASHER, 1/2	
14	7302039	4	LIFT/LOWER & SLAVE CYLINDERS PIN	
15	8065640	2	BEARING, (self align)	
16	0100011	AR	LOCTITE® 242™, (apply to item 12)	
17	8303752	4	HEX HD CAPSCREW, 5/16-18X3-1/2, GR5	
18	8305626	4	HEX LOCKNUT, 5/16-18	
19	7137142	4	CYLINDER PIN	
20	8520001	8	LUBE FITTING, STRAIGHT, 1/8	
21	7124301	AR	CONDUIT, .50X15.5, (cut to fit)	
22	7139156	AR	CONDUIT, 1.0X28, (cut to fit)	
23	7125871	AR	CONDUIT, .50X8, (cut to fit)	
24		Ref	BOOM LIFT/LOWER CYLINDER, (see Figure 9-2 for details)	
25		Ref	FRAME SWAY CYLINDER, (see Figure 9-3 for details)	
26		Ref	SLAVE CYLINDER, (see Figure 9-6 for details)	
27		Ref	STABIL-TRAK CYLINDER, (see Figure 9-5 for details)	
28	7139613	AR	CONDUIT, 1.0X18, (cut to fit)	
29	7124471	AR	CONDUIT, 1.0X12.5, (cut to fit)	



# FRAME & ATTACHING PARTS

S/N 0160004397 thru 0160013566

Figure 1-1 Main Frame Components

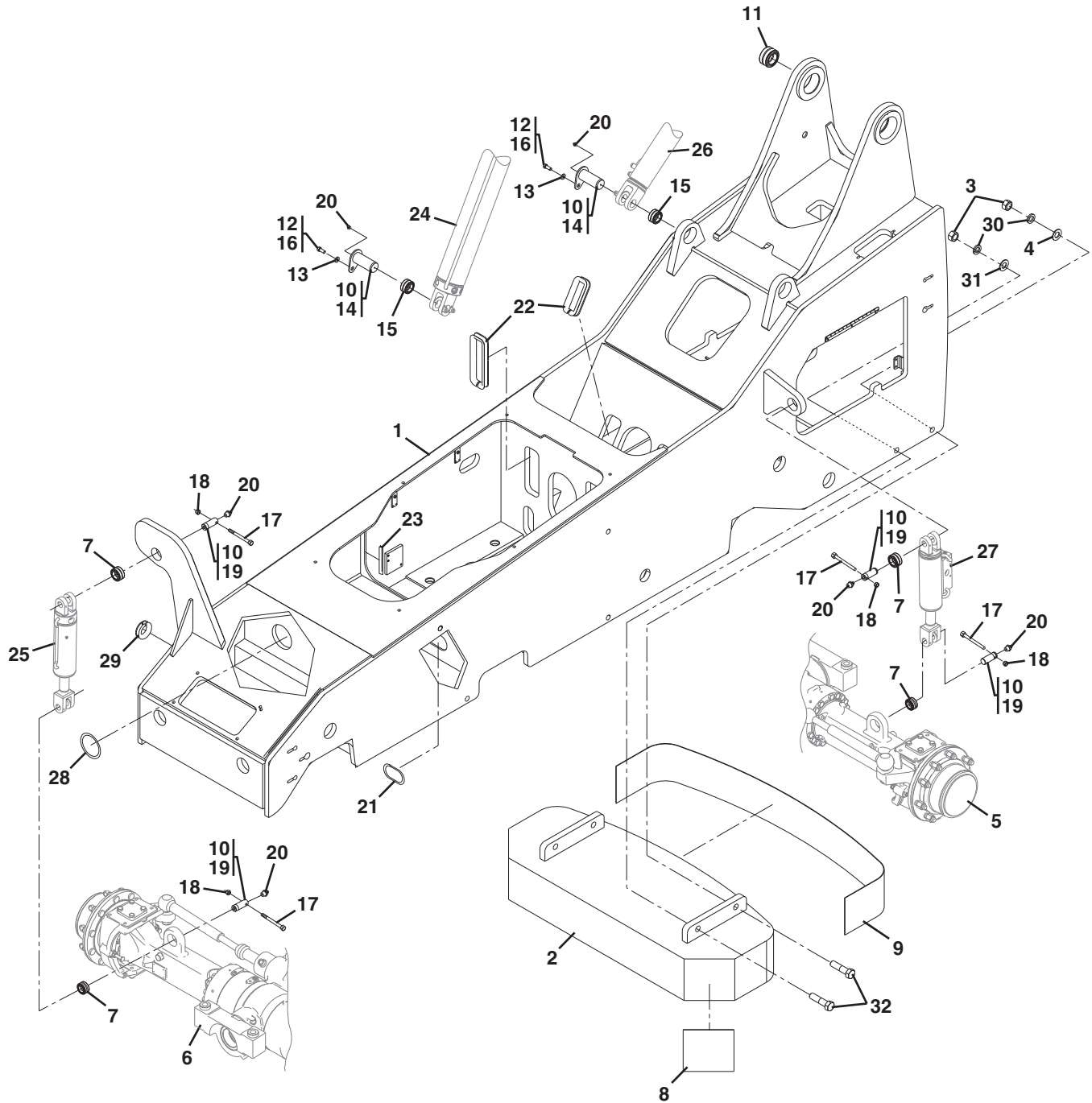




Figure 1-1 Main Frame Components

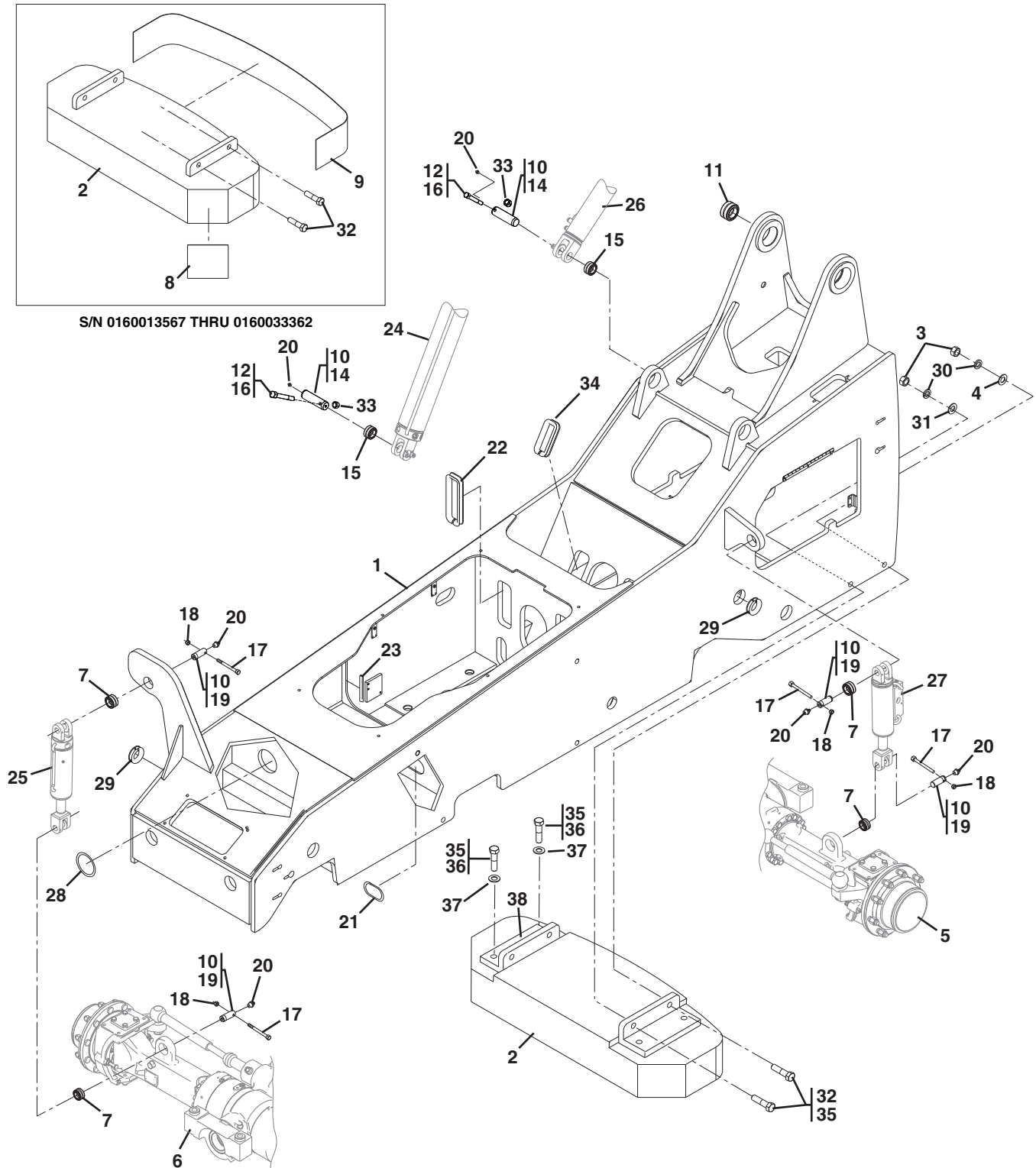
Item	Part Number	Qty.	Description	Rev.
1	NSS	1	FRAME WELDMENT	
2	4821450	1	COUNTERWEIGHT, (S/N 0160004397 thru 0160004719)	
	4821449	1	COUNTERWEIGHT, (S/N 0160004746 thru S/N 0160013566)	
3	8310481	4	HEX NUT, 1-8	
4	8310066	20	PLAIN WASHER, 1	
5		Ref	REAR AXLE, (see Figure 5-10 for details)	
6		Ref	FRONT AXLE, (see Figure 5-2 for details)	
7	8050001	4	BEARING, (self align)	
8	4821434	2	COUNTERWEIGHT WRAPPER, (S/N 0160004397 thru 0160004719)	
	3575604	2	COUNTERWEIGHT WRAPPER, (S/N 0160004746 thru 0160013566)	
9	4821433	1	COUNTERWEIGHT WRAPPER, (S/N 0160004397 thru 0160004719)	
	3575603	1	COUNTERWEIGHT WRAPPER, (S/N 0160004746 thru 0160013566)	
10	8522012	AR	ANTI-SEIZE LUBE, (apply to items 14 & 19)	
11	8065641	2	BEARING, (self align)	
12	8303625	4	HEX HD CAPSCREW, 1/2-13X1-1/4, GR5	
13	8310056	4	HARD WASHER, 1/2	
14	7302039	4	LIFT/LOWER & SLAVE CYLINDER PIN	
15	8065640	2	BEARING, (self align)	
16	0100011	AR	LOCTITE® 242™, (apply to item 12)	
17	8303752	4	HEX HD CAPSCREW, 5/16-18X3-1/2, GR5	
18	8305626	4	HEX LOCKNUT, 5/16-18	
19	7137142	4	CYLINDER PIN	
20	8520001	AR	LUBE FITTING, STRAIGHT, 1/8	
21	7124301	AR	CONDUIT, .50X15.5, (cut to fit)	
22	7139156	AR	CONDUIT, 1.0X28, (cut to fit)	
23	7125871	AR	CONDUIT, .50X8, (cut to fit)	
24		Ref	BOOM LIFT/LOWER CYLINDER, (see Figure 9-2 for details)	
25		Ref	FRAME SWAY CYLINDER, (see Figure 9-3 for details)	
26		Ref	SLAVE CYLINDER, (see Figure 9-6 for details)	
27		Ref	STABIL-TRAK CYLINDER, (see Figure 9-5 for details)	
28	7139613	AR	CONDUIT, 1.0X18, (cut to fit)	
29	7124471	AR	CONDUIT, 1.0X12.5, (cut to fit)	
30	8307012	4	LOCKWASHER, 1	
31	5724302	AR	SHIM	
32	8310051	4	HEX HD CAPSCREW, 1-8X4, GR5	



# FRAME & ATTACHING PARTS

S/N 0160013567 & After

Figure 1-1 Main Frame Components



PA4364



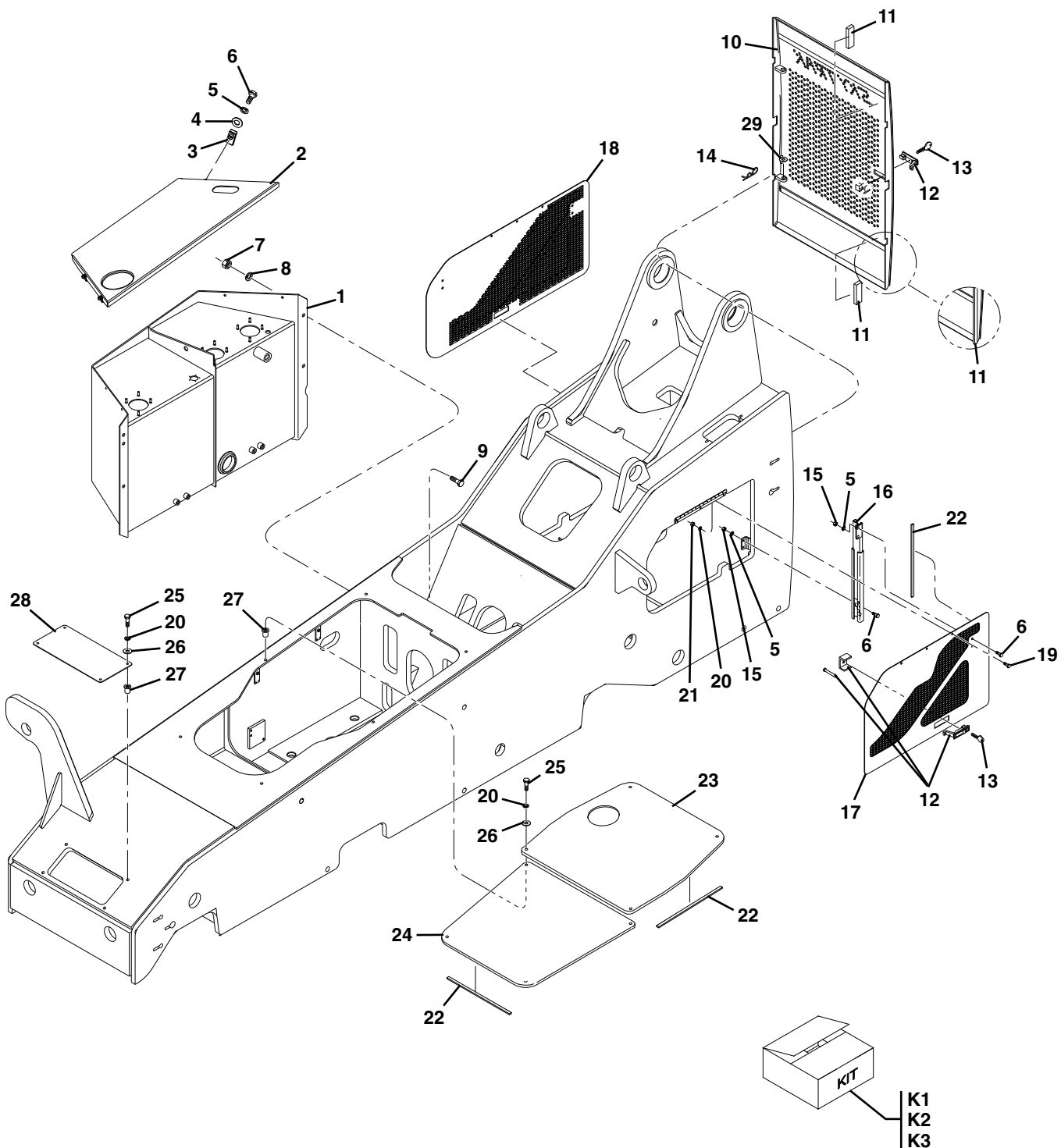
Figure 1-1 Main Frame Components

Item	Part Number	Qty.	Description	Rev.
1	NSS	1	FRAME WELDMENT	
2	4821449	1	COUNTERWEIGHT, (S/N 0160013567 thru 0160033362)	
	1001094783	1	COUNTERWEIGHT, (S/N 0160033363 & After)	
3	8305021	4	HEX NUT, 1-8	
4	8310066	20	PLAIN WASHER, 1, (S/N 0160013567 thru 0160033362)	
	4892600	2	HARDENED WASHER, 1, (S/N 0160033363 & After)	
5		Ref	REAR AXLE, (see Figure 5-10 for details)	
6		Ref	FRONT AXLE, (see Figure 5-2 for details)	
7	8050001	4	BEARING, (self align)	
8	3575604	2	COUNTERWEIGHT WRAPPER, (S/N 0160013567 thru 0160033363)	
9	3575603	1	COUNTERWEIGHT WRAPPER, (S/N 0160013567 thru 0160033363)	
10	8522012	AR	ANTI-SEIZE LUBE, (apply to items 14 & 19)	
11	8065641	2	BEARING, (self align)	
12	8303782	8	HEX HD CAPSCREW, 1/2-13X4, GR5	
14	3423227	8	LIFT/LOWER & SLAVE CYLINDER PIN	
15	8065640	4	BEARING, (self align)	
16	0100011	AR	LOCTITE® 242™, (apply to item 12)	
17	8303752	4	HEX HD CAPSCREW, 5/16-18X3-1/2, GR5	
18	8305626	4	HEX LOCKNUT, 5/16-18	
19	7137142	4	CYLINDER PIN	
20	8520001	8	LUBE FITTING, STRAIGHT, 1/8	
21	7124301	AR	CONDUIT, .50X15.5, (cut to fit)	
22	7139156	AR	CONDUIT, 1.0X28, (cut to fit)	
23	7125871	AR	CONDUIT, .50X8, (cut to fit)	
24		Ref	BOOM LIFT/LOWER CYLINDER, (see Figure 9-2 for details)	
25		Ref	FRAME SWAY CYLINDER, (see Figure 9-3 for details)	
26		Ref	SLAVE CYLINDER, (see Figure 9-6 for details)	
27		Ref	STABIL-TRAK CYLINDER, (see Figure 9-5 for details)	
28	7139613	AR	CONDUIT, 1.0X18, (cut to fit)	
29	7124471	AR	CONDUIT, 1.0X12.5, (cut to fit)	
30	8307012	4	LOCKWASHER, 1	
31	5724302	AR	SHIM, (S/N 0160013567 thru 0160033362)	
	4892600	2	HARDENED WASHER, 1, (S/N 0160033363 & After)	
32	8310051	4	HEX HD CAPSCREW, 1-8X4, GR5, (S/N 0160013567 thru 0160033362)	
	0642628	4	HEX HD CAPSCREW, 1-8X3-1/2, GR5, (torque to 675 lb-ft), (S/N 0160033363 & After)	
33	8305644	8	HEX LOCKNUT, 1/2-13,	
34	1560028	2	CONDUIT, 1.0 POLY, (S/N 0160015215 & After)	
35	0100019	AR	LOCTITE® 271™(apply to item 36), (S/N 0160033363 & After)	
36	0642222	4	HEX HD CAPSCREW, 3/4-10X2-3/4, GR5, (torque to 285 lb-ft), (S/N 0160033363 & After)	
37	4892200	4	HARDENED WASHER, 3/4, (S/N 0160033363 & After)	
38	1001094877	2	ANGLE COUNTWEIGHT, (S/N 0160033363 & After)	



# FRAME & ATTACHING PARTS

## Figure 1-2 Hoods & Guards



PAP11090



Figure 1-2 Hoods & Guards

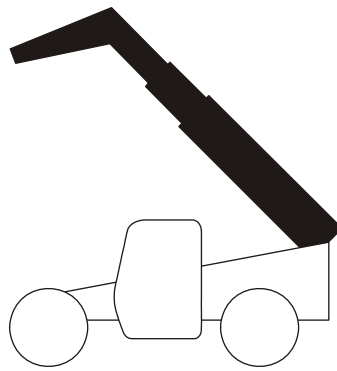
Item	Part Number	Qty.	Description	Rev.
1		Ref	FUEL & HYDRAULIC TANK, (see Figure 9-10 for details)	
2	7150661	1	FUEL/HYDRAULIC TANK COVER	
3	8310658	4	RETAINING NUT, 5/16	
4	8307203	4	FLAT WASHER, 5/16	
5	8307004	16	LOCKWASHER, 5/16	
6	8303656	16	HEX HD CAPSCREW, 5/16-18X7/8	
7	8305014	4	HEX NUT, 5/8-11	
8	8307009	4	LOCKWASHER, 5/8	
9	8310129	4	CARRIAGE BOLT, 5/8-11X2-1/2	
10	1001131246	1	RADIATOR COVER	
11	5724742	2	GASKET, <b>(Before S/N 0160039075)</b>	
	90206196	AR	TRIM, <b>(S/N 0160039075 &amp; After)</b>	
12	1001131179	3	LATCH ASSY	
13	8342808	AR	KEY SET	
14	8302470	2	COTTER PIN	
15	8305006	12	HEX NUT, .325	
16	7139714	3	SIDE DOOR PROP	
17	1001131334	1	SIDE ACCESS COVER, (left)	
18	1001131244	1	SIDE ACCESS COVER, (right)	
19	8303729	6	HEX HD CAPSCREW, 1/4-20X5/8	
20	8307002	16	LOCKWASHER, 1/4	
21	8305004	6	HEX NUT, 1/4-20	
22	4420037	AR	FOAM TAPE - 60 IN, (235 in needed)	
23	7139455	1	UPPER TRANSMISSION COVER	
24	7139406	1	LOWER TRANSMISSION COVER	
25	8303615	10	HEX HD CAPSCREW, 1/4-20X1-1/4	
26	8307202	10	PLAIN WASHER, 1/4	
27	8580420	10	WELL NUT	
28	7150608	1	FRONT COVER	
29	10732150	AR	FLAT WASHER, M10	
K1	1001132437	1	REAR DOOR W/LATCH KIT, (includes items 10 &12)	
K2	1001132452	1	PANEL W/LATCH KIT, (includes items 12 &17)	
K3	1001132443	1	PANEL W/LATCH KIT, (includes items 12 &18)	



## FRAME & ATTACHING PARTS

**This Page Intentionally Left Blank**

# SECTION 2 BOOM

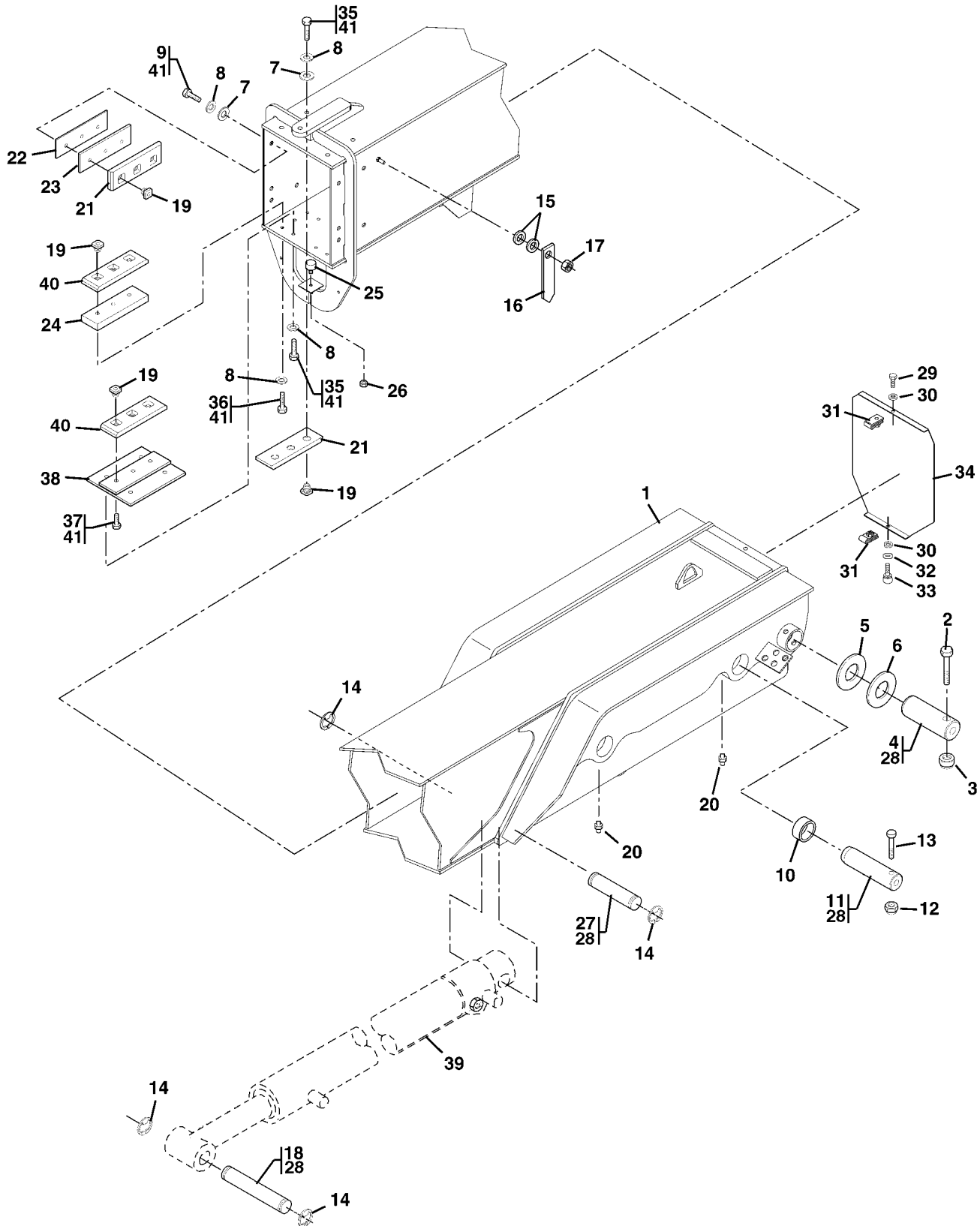




# BOOM

S/N 17019 thru 19897 &  
0160002408 thru 0160003867

### Figure 2-1 First Boom Section



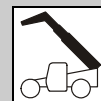


Figure 2-1 First Boom Section

Item	Part Number	Qty.	Description	Rev.
1	7300656	1	OUTER BOOM	
2	8303655	2	HEX HD CAPSCREW, 5/8-11X4.50, (Loctite® & torque to 31 lb-ft)	
3	8305643	2	HEX LOCKNUT, 5/8-11	
4	7300748	2	BOOM PIVOT PIN	
5	8307910	AR	WASHER, SHIM 2.75 DIAx.075	
6	8307911	AR	WASHER, SHIM 2.75 DIAx.135	
7	8307204	12	FLAT WASHER, 3/8	
8	8307005	22	LOCKWASHER, 3/8	
9	8303681	8	HEX HD CAPSCREW, 3/8-16X3/4, (Loctite® & torque to 31 lb-ft)	
10	8065640	4	SELF-ALIGNING BEARING, 2 IN DIA	
11	7092292	4	LIFT/LOWER & SLAVE CYLINDERS PIN	
12	8305644	4	HEX LOCKNUT, 1/2-13	
13	8303782	4	HEX HD CAPSCREW, 1/2-13X4, (Loctite® & torque to 31 lb-ft)	
14	8642224	4	RETAINING RING	
15	8307113	2	FLAT WASHER, 7/16	
16	7075611	1	POINTER	
17	8305647	1	HEX LOCKNUT, 7/16-14	
18	7096562	1	EXTEND CYLINDER PIN, (rod end)	
19	7082311	21	WEAR PAD INSERT	
20	8520013	4	STRAIGHT LUBE FITTING, 1/8	
21	7079572	6	WEAR PAD	
22	7082362	AR	SHIM, WEAR PAD (.13 in)	
23	7082342	AR	SHIM, WEAR PAD (.07 in)	
24	7096882	2	SPACER, WEAR PAD (.62 in)	
25	5724622	1	RUBBER BUMPER	
26	8305645	1	HEX LOCKNUT, 3/8-16	
27	7096552	1	EXTEND CYLINDER PIN, (base end)	
28	8522012	AR	ANTI-SEIZE LUBE, (apply to items 4, 11, 18 & 27)	
29	8303697	1	HEX HD CAPSCREW, 5/16-18X3/4	
30	8307106	2	FLAT WASHER, 5/16	
31	8305906	2	RETAINER NUT, 5/16-18	
32	8310431	1	INTERNAL TOOTH LOCKWASHER, 5/16	
33	8310497	1	THUMB SCREW, 5/16-18X1.50	
34	7116792	1	REAR BOOM COVER	
35	8303620	10	HEX HD CAPSCREW, 3/8-16X1.00, (Loctite® & torque to 31 lb-ft)	
36	8303621	6	HEX HD CAPSCREW, 3/8-16X1.50, (Loctite® & torque to 31 lb-ft)	
37	8303041	3	HEX HD CAPSCREW, 3/8-16X.50, (Loctite® & torque to 31 lb-ft)	
38	7096772	1	SPACER, SPECIAL WEAR PAD	
39		Ref	BOOM EXTEND/RETRACT CYLINDER, (see Figure 9-1 for details)	
40	7111572	3	WEAR PAD	
41	0100011	AR	LOCTITE® 242™, (apply to items 9, 35, 36 & 37)	



# BOOM

S/N 0160003879 thru 0160014929

### Figure 2-1 First Boom Section

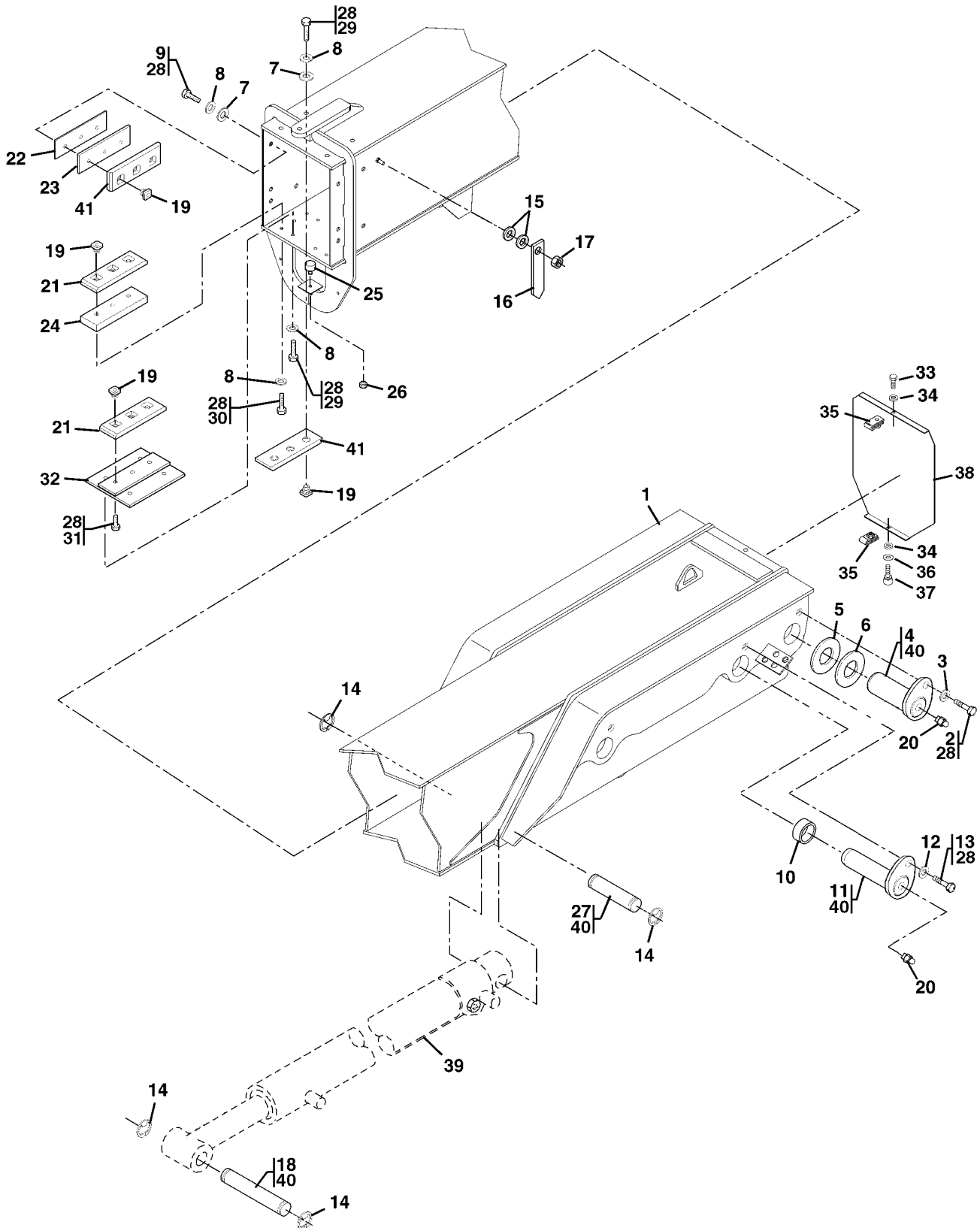




Figure 2-1 First Boom Section

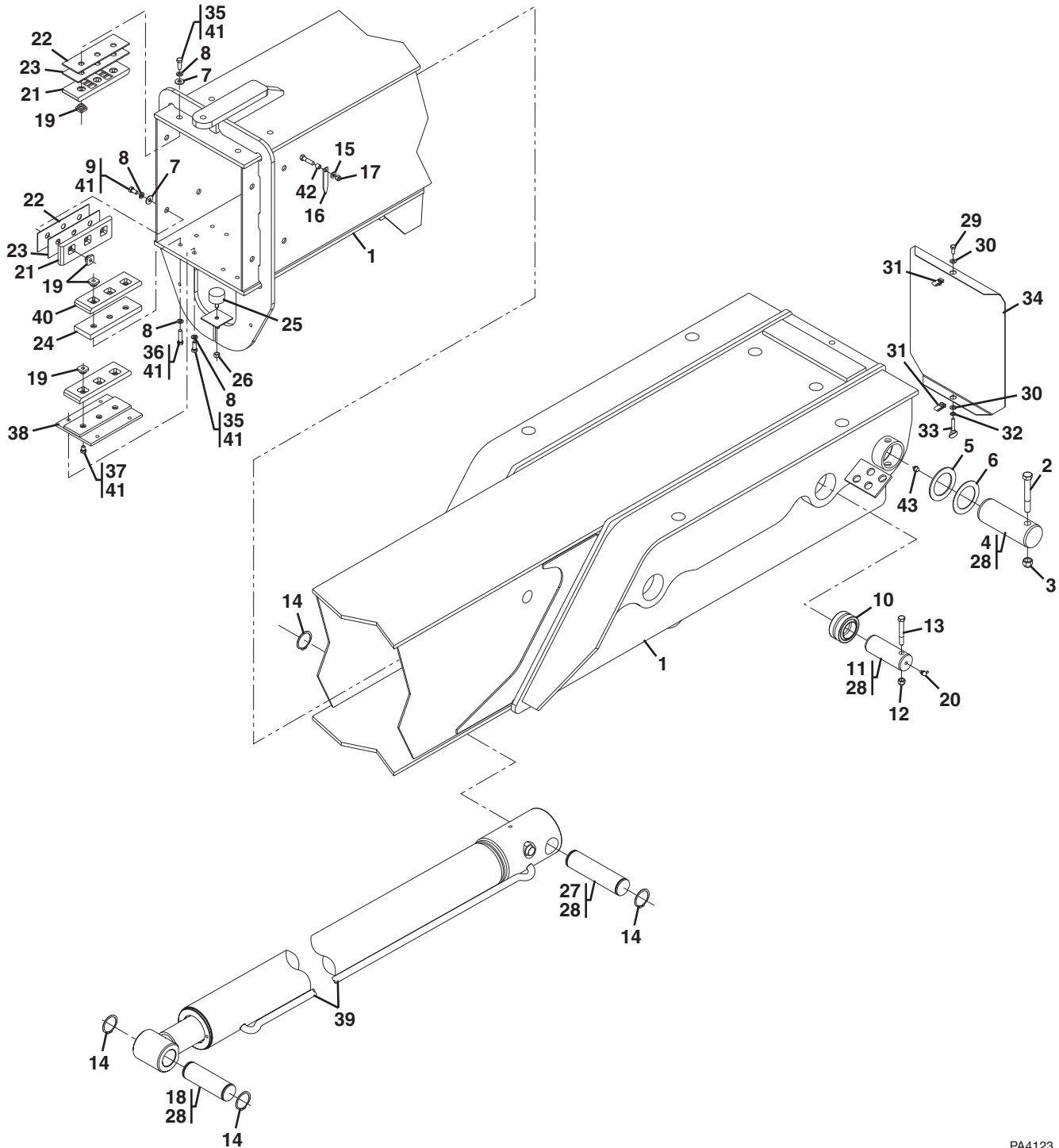
Item	Part Number	Qty.	Description	Rev.
1	7302052	1	OUTER BOOM	
2	8303712	2	HEX HD CAPSCREW, .625-11NCX1.500 GR5, (Loctite® & torque to 31 lb-ft)	
3	8310058	2	PLAIN WASHER, .625	
4	7302024	2	BOOM PIVOT PIN	
5	8307910	AR	WASHER, SHIM 2.75 DIAx.075	
6	8307911	AR	WASHER, SHIM 2.75 DIAx.135	
7	8307204	12	FLAT WASHER, 3/8	
8	8307005	22	LOCKWASHER, 3/8	
9	8303681	8	HEX HD CAPSCREW, 3/8-16X3/4, (Loctite® & torque to 31 lb-ft)	
10	8065640	4	SELF-ALIGNING BEARING, 2 IN DIA	
11	7302039	4	LIFT/LOWER & SLAVE CYLINDERS PIN	
12	8310056	8	PLAIN WASHER, .500	
13	8303625	4	HEX HD CAPSCREW, 1/2-13X1-1/4,GR5, (Loctite® & torque to 31 lb-ft)	
14	8642224	4	RETAINING RING	
15	8307113	2	FLAT WASHER, 7/16	
16	7075611	1	POINTER	
17	8305647	1	HEX LOCKNUT, 7/16-14	
18	7096562	1	EXTEND CYLINDER PIN, (rod end)	
19	7082311	21	WEAR PAD INSERT	
20	8520001	4	STRAIGHT LUBE FITTING, 1/8	
21	7111572	3	WEAR PAD	
22	7082362	AR	SHIM, WEAR PAD (.13 in)	
23	7082342	AR	SHIM, WEAR PAD (.07 in)	
24	7096882	2	SPACER, WEAR PAD (.62 in)	
25	5724622	1	RUBBER BUMPER	
26	8305645	1	HEX LOCKNUT, 3/8-16	
27	7096552	1	EXTEND CYLINDER PIN, (base end)	
28	0100011	AR	LOCTITE® 242™, (apply to items 2, 9, 29, 30 & 31)	
29	8303620	10	HEX HD CAPSCREW, 3/8-16X1.00, (Loctite® & torque to 31 lb-ft)	
30	8303621	6	HEX HD CAPSCREW, 3/8-16X1.50, (Loctite® & torque to 31 lb-ft)	
31	8303041	3	HEX HD CAPSCREW, 3/8-16X.50, (Loctite® & torque to 31 lb-ft)	
32	7096772	1	SPACER, SPECIAL WEAR PAD	
33	8303697	1	HEX HD CAPSCREW, 5/16-18X3/4	
34	8307106	2	FLAT WASHER, 5/16	
35	8305906	2	RETAINER NUT, 5/16-18	
36	8310431	1	INTERNAL TOOTH LOCKWASHER, 5/16	
37	8310497	1	THUMB SCREW, 5/16-18X1.50	
38	7116792	1	REAR BOOM COVER	
39		Ref	BOOM EXTEND/RETRACT CYLINDER, (see Figure 9-1 for details)	
40	8522012	AR	ANTI-SEIZE LUBE, (apply to items 4, 11, 18 & 27)	
41	7079572	6	WEAR PAD	



# BOOM

S/N 0160014947 & After

### Figure 2-1 First Boom Section



PA4123

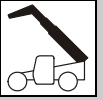


Figure 2-1 First Boom Section

Item	Part Number	Qty.	Description	Rev.
1	7302052	1	OUTER BOOM	
2	8303655	2	HEX HD CAPSCREW, 5/8-11X4.50, (Loctite® & torque to 31 lb-ft)	
3	8305643	2	HEX LOCKNUT, 5/8-11	
4	3423226	2	BOOM PIVOT PIN	
5	8307910	AR	WASHER, SHIM 2.75 DIAx.075	
6	8307911	AR	WASHER, SHIM 2.75 DIAx.135	
7	8307204	12	FLAT WASHER, 3/8	
8	8307005	22	LOCKWASHER, 3/8	
9	8303681	8	HEX HD CAPSCREW, 3/8-16X3/4, (Loctite® & torque to 31 lb-ft)	
10	8065640	4	SELF-ALIGNING BEARING, 2 IN DIA	
11	3423227	4	LIFT/LOWER & SLAVE CYLINDERS PIN	
12	8305644	4	HEX LOCKNUT, 1/2-13	
13	8303782	4	HEX HD CAPSCREW, 1/2-13X4, (Loctite® & torque to 31 lb-ft)	
14	8642224	4	RETAINING RING	
15	8307113	2	FLAT WASHER, 7/16, (S/N 0160014947 thru 0160032330)	
	4711600	1	FLAT WASHER, 3/8, (S/N 0160032331 & After)	
16	7075611	1	POINTER, (S/N 0160014947 thru 0160032330)	
	1001098769	1	POINTER, (S/N 0160032331 & After)	
17	8305647	1	HEX LOCKNUT, 7/16-14, (S/N 0160014947 thru 0160032330)	
	8305645	1	HEX LOCKNUT, 3/8-16, (torque to 12 lb-ft), (S/N 0160032331 & After)	
18	7096562	1	EXTEND CYLINDER PIN, (rod end)	
19	7082311	21	WEAR PAD INSERT	
20	8520003	4	90 DEGREE LUBE FITTING, 1/8	
21	7079572	6	WEAR PAD	
22	7082362	AR	SHIM, WEAR PAD (.13 in)	
23	7082342	AR	SHIM, WEAR PAD (.07 in)	
24	7096882	2	SPACER, WEAR PAD (.62 in)	
25	5724622	1	RUBBER BUMPER	
26	3311601	1	HEX NUT, 3/8-16	
27	7096552	1	EXTEND CYLINDER PIN, (base end)	
28	8522012	AR	ANTI-SEIZE LUBE, (apply to items 4, 11, 18 & 27)	
29	8303697	1	HEX HD CAPSCREW, 5/16-18X3/4	
30	8307106	2	FLAT WASHER, 5/16	
31	8305906	2	RETAINER NUT, 5/16-18	
32	8310431	1	INTERNAL TOOTH LOCKWASHER, 5/16	
33	8310497	1	THUMB SCREW, 5/16-18X1.50	
34	7116792	1	REAR BOOM COVER	
35	8303620	10	HEX HD CAPSCREW, 3/8-16X1.00, (Loctite® & torque to 31 lb-ft)	
36	8303621	6	HEX HD CAPSCREW, 3/8-16X1.50, (Loctite® & torque to 31 lb-ft)	
37	8303041	3	HEX HD CAPSCREW, 3/8-16X.50, (Loctite® & torque to 31 lb-ft)	
38	7096772	1	SPACER, SPECIAL WEAR PAD	
39		Ref	BOOM EXTEND/RETRACT CYLINDER, (see Figure 9-1 for details)	
40	7111572	3	WEAR PAD	
41	0100011	AR	LOCTITE® 242™, (apply to items 9, 26, 35, 36 & 37)	
42	1001096404	1	SPACER, ANGLE INDICATOR, (S/N 0160032331 & After)	
43	8520001	2	LUBE FITTING, STRAIGHT	



# BOOM

## Figure 2-2 Second Boom Section

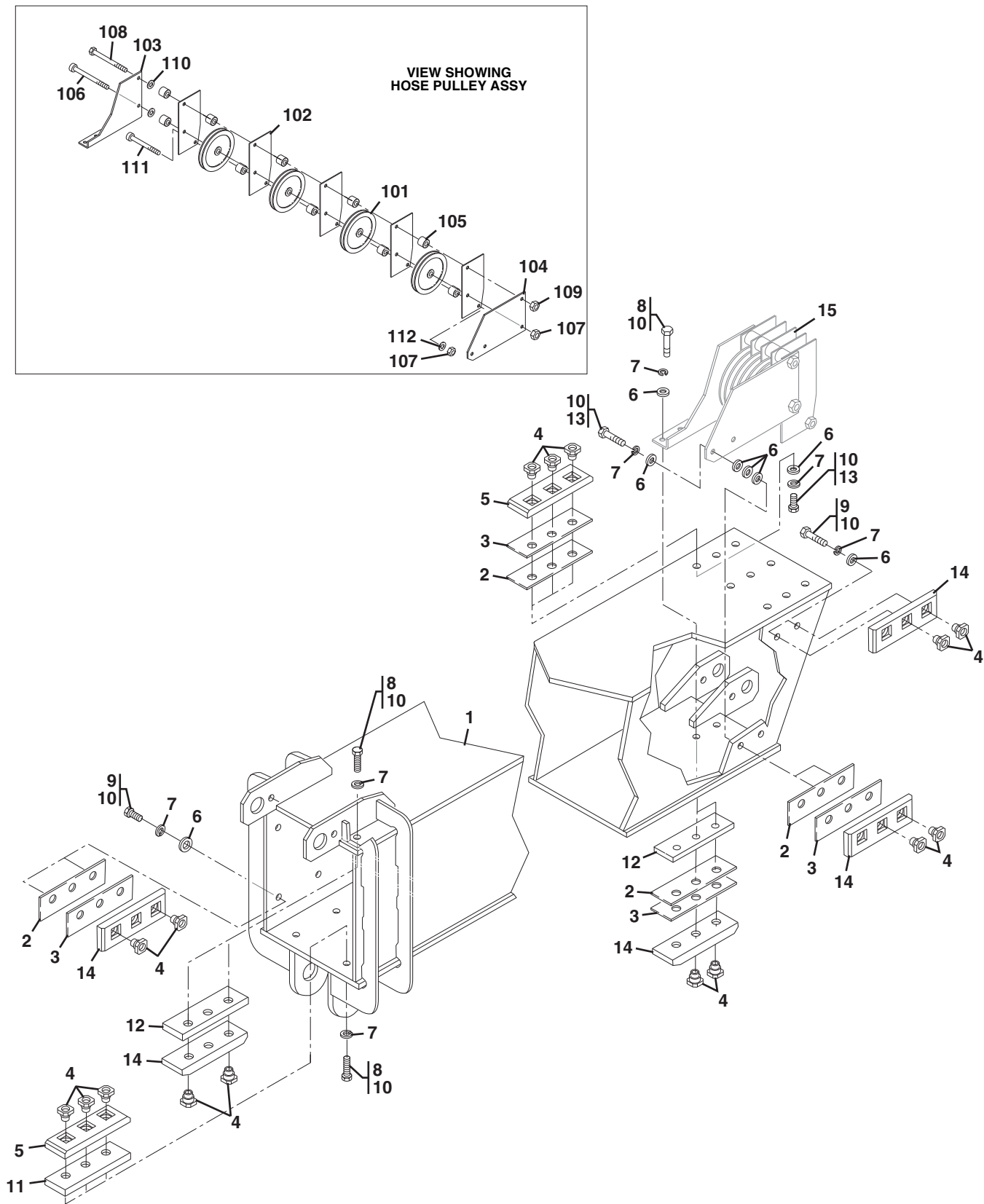




Figure 2-2 Second Boom Section

Item	Part Number	Qty.	Description	Rev.
1	1001098089	1	SECOND BOOM SECTION, (order pin 1001097735 & attaching hardware on Figure 2-5)	
2	7082362	AR	SHIM, WEAR PAD, .13	
3	7082342	AR	SHIM, WEAR PAD, .07	
4	7082311	37	WEAR PAD INSERT	
5	7111572	5	WEAR PAD	
6	8307204	33	FLAT WASHER, 3/8	
7	8307005	37	LOCKWASHER, 3/8	
8	8303621	12	HEX HD CAPSCREW, 3/8-16X1.50, (Loctite® & torque to 31 lb-ft)	
9	8303681	14	HEX HD CAPSCREW, 3/8-16X3/4, (Loctite® & torque to 31 lb-ft)	
10	0100011	AR	LOCTITE® 242™, (apply to items 8, 9 & 13)	
11	7096882	2	SPACER, WEAR PAD, .62	
12	7096702	3	SPACER, WEAR PAD, .50	
13	8303620	11	HEX HD CAPSCREW, 3/8-16X1.00, (Loctite® & torque to 31 lb-ft)	
14	7079572	11	WEAR PAD	
15	7116733	1	HOSE PULLEY ASSY, (includes items 101 thru 112)	C
101	7116812	4	ROVER PULLEY	
102	7116642	5	DIVIDER	
103	7116652	1	BRACKET, (right side)	
104	7116662	1	BRACKET, (left side)	
105	7116691	10	SPACER	
106	8310235	1	SHOULDER SCREW, 1/2X5	
107	8305645	2	LOCKNUT, 3/8-16	
108	8310209	1	HEX HD CAPSCREW, 1/2-13X6	
109	8305644	1	LOCKNUT, 1/2-13	
110	8307206	2	FLAT WASHER, 1/2	
111	8310245	1	SHOULDER SCREW, 1/2X4	
112	8307204	1	FLAT WASHER, 3/8	



# BOOM

## Figure 2-3 Third Boom Section

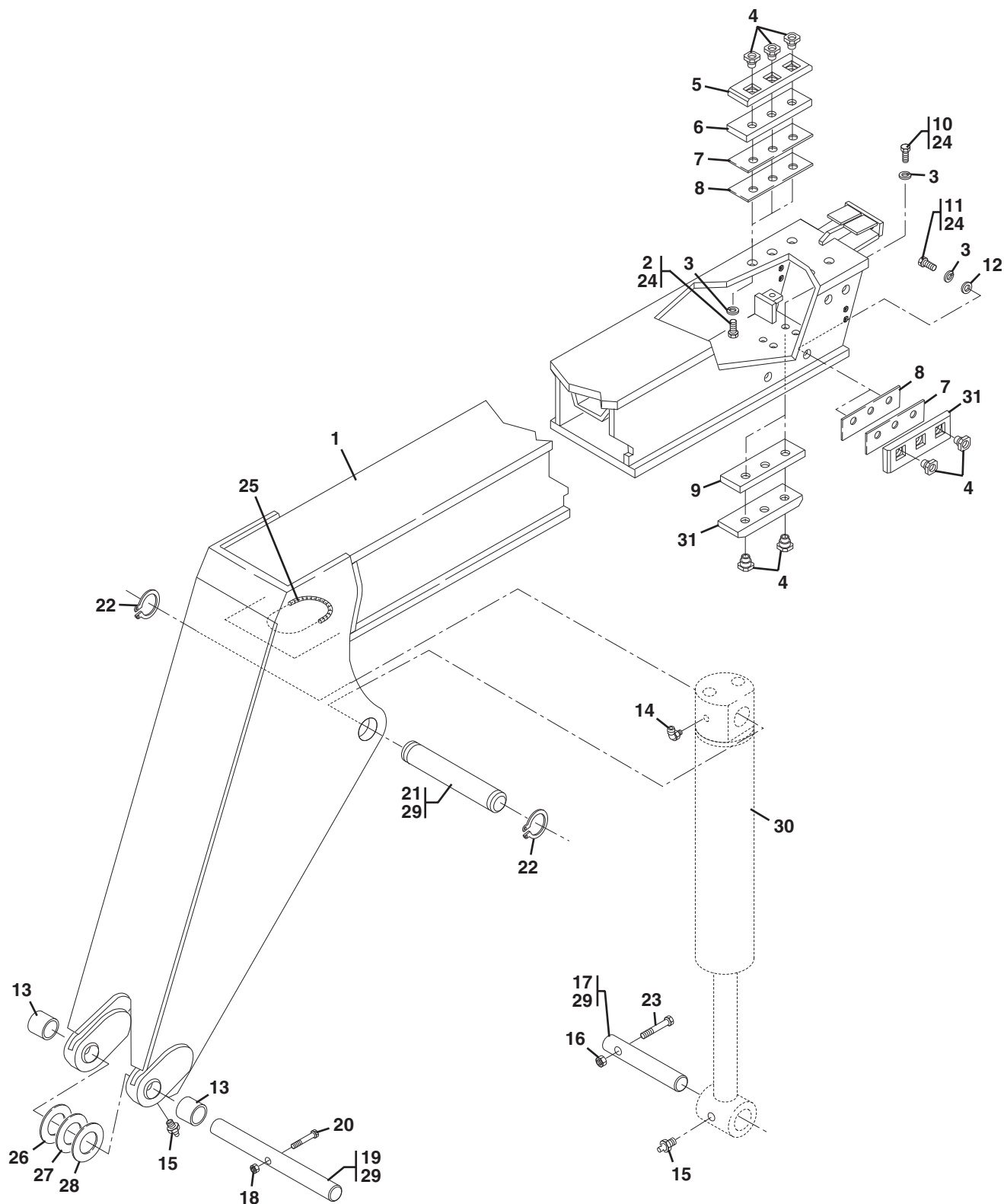




Figure 2-3 Third Boom Section

Item	Part Number	Qty.	Description	Rev.
1	7117113	1	THIRD BOOM SECTION	
2	8303679	6	HEX HD CAPSCREW, 3/8-16X1-3/4, (Loctite® & torque to 31 lb-ft)	
3	8307005	16	LOCKWASHER, 3/8	
4	7082311	16	INSERT, WEAR PAD	
5	7111572	2	WEAR PAD	
6	7096882	2	SPACER, WEAR PAD, .62	
7	7082362	AR	SHIM, WEAR PAD, .13	
8	7082342	AR	SHIM, WEAR PAD, .07	
9	7096702	1	SPACER, WEAR PAD	
10	8303675	2	HEX HD CAPSCREW, 3/8-16X1.25, (Loctite® & torque to 31 lb-ft)	
11	8303681	8	HEX HD CAPSCREW, 3/8-16X3/4, (Loctite® & torque to 31 lb-ft)	
12	8307204	8	FLAT WASHER, 3/8	
13	7095312	2	QUICK ATTACH PIVOT BUSHING	
14	8520021	1	LUBE FITTING, 45 DEGREES, 1/8	
15	8520013	3	LUBE FITTING, STRAIGHT, 1/8	
16	8305644	1	HEX LOCKNUT, 1/2-13	
17	7083992	1	ATTACHMENT TILT CYLINDER PIN, (rod end)	
18	8305643	1	HEX LOCKNUT, 5/8-11	
19	7095352	1	QUICK ATTACH PIVOT PIN	
20	8303666	1	HEX HD CAPSCREW, 5/8-11X5	
21	7095522	1	ATTACHMENT TILT CYLINDER PIN, (base end)	
22	8642224	2	RETAINING RING, 2 IN DIA	
23	8303772	1	HEX HD CAPSCREW, 1/2-13X5	
24	0100011	AR	LOCTITE® 242™, (apply to items 2, 10 & 11)	
25	7125811	1	PLASTIC CONDUIT, 3/4X8.00	
26	8307918	2	WASHER, SHIM 2.00X3.50X0.134	
27	8310093	AR	WASHER, SHIM 2.00X3.50X0.75	
28	8307904	AR	WASHER, SHIM 2.00X3.50X0.048	
29	8522012	AR	ANTI-SEIZE LUBE, (apply to items 17, 19 & 21)	
30		Ref	ATTACHMENT TILT CYLINDER, (see Figure 9-4 for details)	
31	7079572	5	WEAR PAD	



# BOOM

## Figure 2-4 Quick Attach

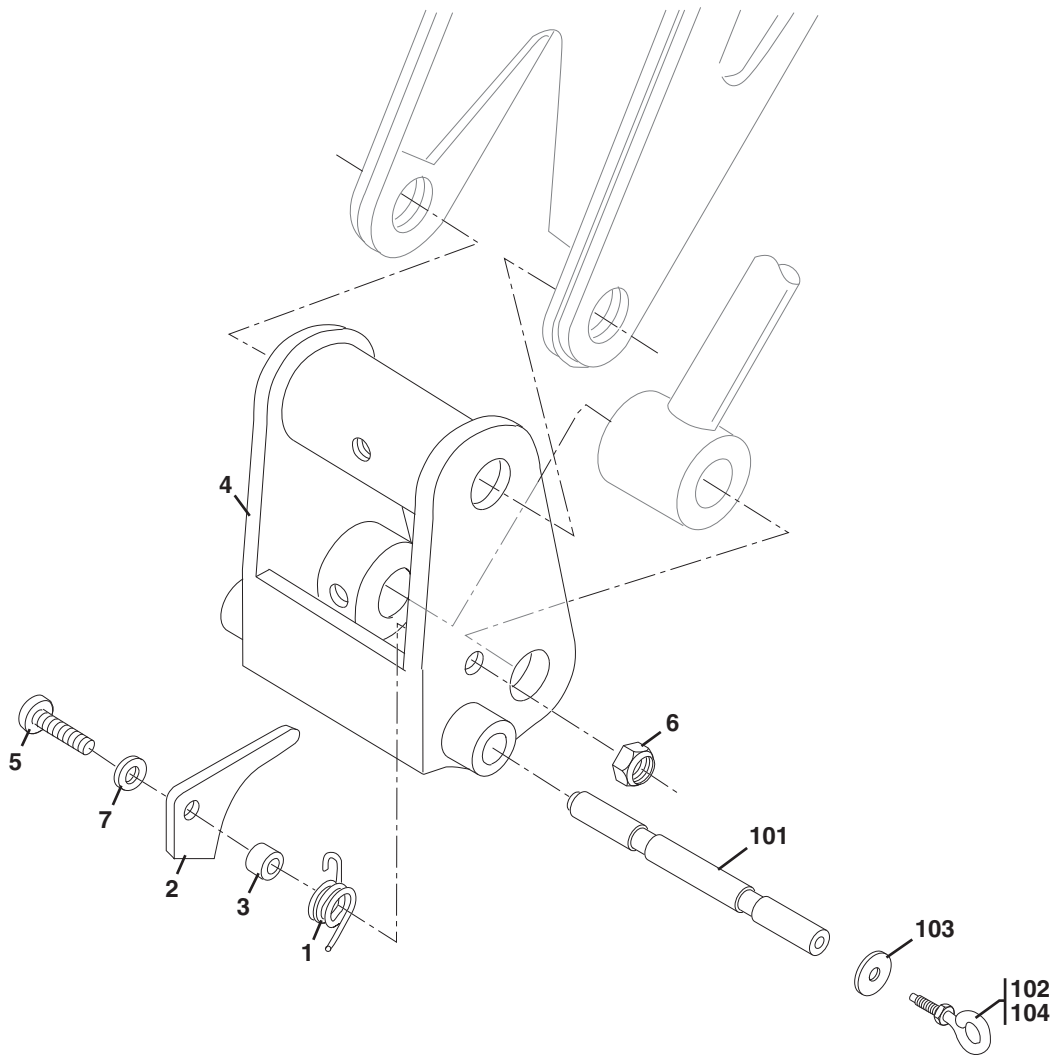




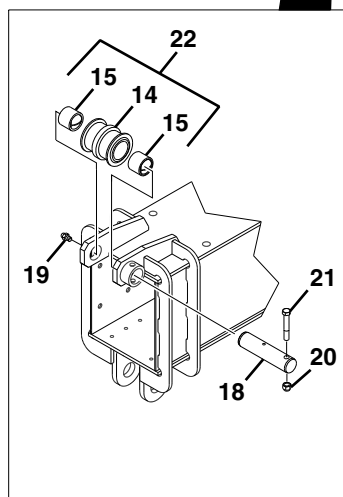
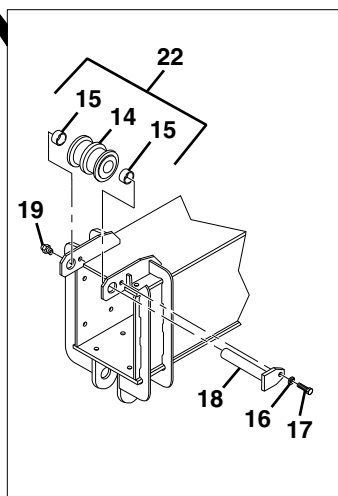
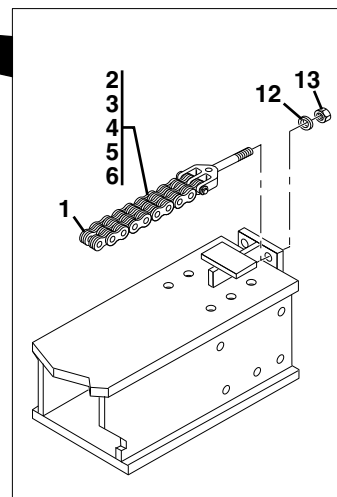
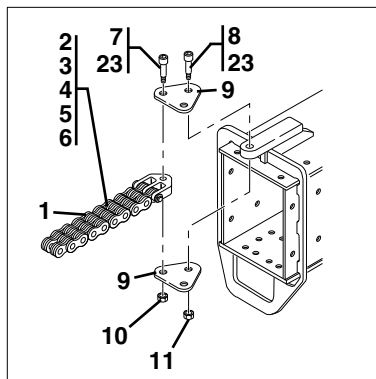
Figure 2-4 Quick Attach

Item	Part Number	Qty.	Description	Rev.
	7139864	1	QUICK ATTACH ASSY, (includes items 1 thru 7)	B
1	7085552	1	TORSION SPRING	
2	7085562	1	LATCH	
3	7085571	1	SPACER	
4	7139863	1	QUICK ATTACH	
5	8303638	1	HEX HD CAPSCREW, 3/4-10X2-3/4	
6	8305619	1	HEX LOCKNUT, 3/4-10	
7	8307104	1	FLAT WASHER, 3/4	
	7118892	1	LOCK PIN ASSY, (includes items 101 thru 104)	B
101	7118882	1	PIN	
102	8310266	1	SHANK BOLT EYE, 1/2-13X2	
103	8310276	1	FLAT WASHER, .51X1.88X.125	
104	0100011	AR	LOCTITE® 242™, (apply to item 102)	



# BOOM

### Figure 2-5 Boom Extend Chains



S/N 17019 THRU 19897 & 0160002408 THRU 0160033853

S/N 0160033854 & AFTER

PAP11110



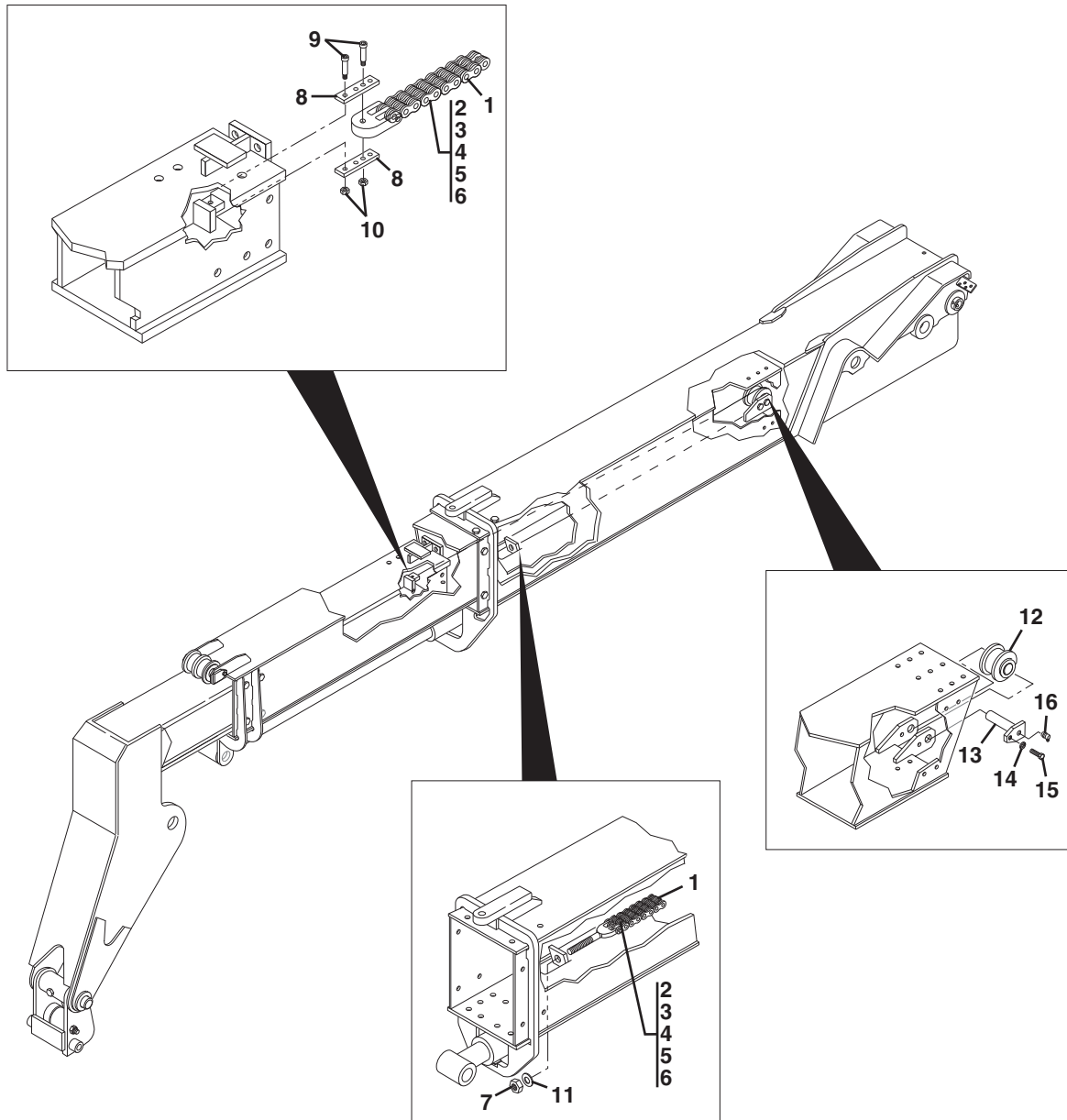
Figure 2-5 Boom Extend Chains

Item	Part Number	Qty.	Description	Rev.
	7139690	2	EXTEND CHAIN & CLEVIS ASSY, (includes items 1 thru 6)	B
1	8127022	2	EXTEND CHAIN, 195.25 LG	
2	7139416	2	FEMALE ANCHOR CLEVIS	
3	7139032	2	FEMALE ANCHOR CLEVIS	
4	8124138	4	CHAIN CLEVIS PIN	
5	8642237	8	RETAINING RING	
6	8522012	2	ANTI-SEIZE LUBE, (apply to item 4)	
7	8310019	2	SHOULDER BOLT, 1/2X1-1/2X3/8-16	
8	8310020	1	SHOULDER BOLT, 5/8X1-1/2X1/2-13	
9	7139180	2	EXTEND CHAIN YOKE	
10	8305645	2	HEX LOCKNUT, 3/8-16	
11	8305644	1	HEX LOCKNUT, 1/2-13	
12	8307104	2	FLAT WASHER, 3/4	
13	8305646	2	HEX LOCKNUT, 3/4-16	
14	7114112	1	EXTEND CHANGE SHEAVE	
15	7126662	2	CHAIN SHEAVE BUSHING	
16	8307007	1	LOCKWASHER, 1/2, (S/N 17019 thru 19897 & S/N 0160002408 thru S/N 0160033853)	
17	8303624	1	HEX HD CAPSCREW, 1/2-13X1, (S/N 17019 thru 19897 & S/N 0160002408 thru S/N 0160033853)	
18	7117572	1	EXTEND CHAIN SHEAVE PIN, (S/N 17019 thru 19897 & S/N 0160002408 thru S/N 0160033853)	
	1001097735	1	EXTEND CHAIN SHEAVE PIN, (S/N 0160033854 & After)	
19	8520001	1	STRAIGHT LUBE FITTING, 1/8	
20	8305643	1	HEX LOCKNUT, 5/8-11, (S/N 0160033854 & After)	
21	8303634	1	HEX HD CAPSCREW, 5/8-11X4, (S/N 0160033854 & After)	
22	1001101845	1	SHEAVE INSTALLATION, (includes items 14 & 15), (S/N 0160034635 & After)	
23	8526406	AR	VARNISH SEALANT, (apply to items 7 & 8)	



# BOOM

Figure 2-6 Boom Retract Chain



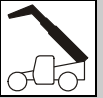


Figure 2-6 Boom Retract Chain

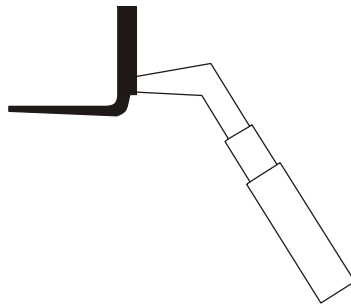
Item	Part Number	Qty.	Description	Rev.
	7139692	1	RETRACT CHAIN & CLEVIS ASSY, (includes items 1 thru 6)	B
1	7139032	1	FEMALE ANCHOR CLEVIS	
2	7139416	1	FEMALE ANCHOR CLEVIS	
3	8124138	2	CHAIN CLEVIS PIN	
4	8127024	1	RETRACT CHAIN, 164.25	
5	8522012	AR	ANTI-SEIZE LUBE, (apply to item 3)	
6	8642237	4	RETAINING RING	
7	8305646	1	HEX LOCKNUT, 3/4-16	
8	7117031	2	CHAIN ANCHOR LINK	
9	8310019	2	SHOULDER BOLT, 1/2X1-1/2X3/8-16	
10	8305645	2	LOCKNUT, 3/8-16	
11	8307104	1	FLAT WASHER, 3/4	
12	7138986	1	RETRACT CHAIN SHEAVE, (includes bushings)	
13	7138977	1	RETRACT CHAIN SHEAVE PIN	
14	8307007	1	LOCKWASHER, 1/2	
15	8303624	1	HEX HD CAPSCREW, 1/2-13X1	
16	8520003	1	LUBE FITTING, 90 DEGREES, 1/8	

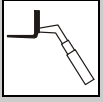


**BOOM**

**This Page Intentionally Left Blank**

# SECTION 3 ATTACHMENTS

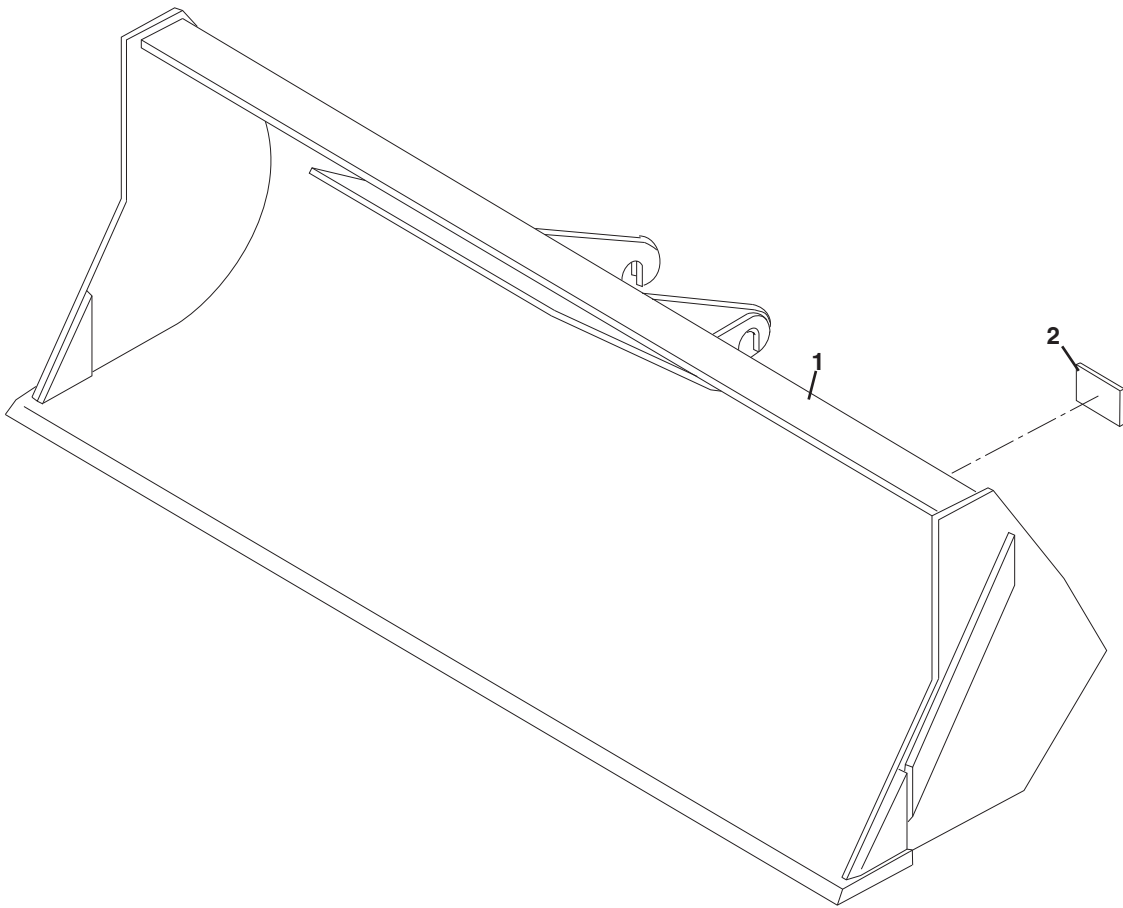




## ATTACHMENTS

Figure 3-1 Utility Bucket

---



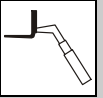
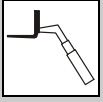


Figure 3-1 Utility Bucket

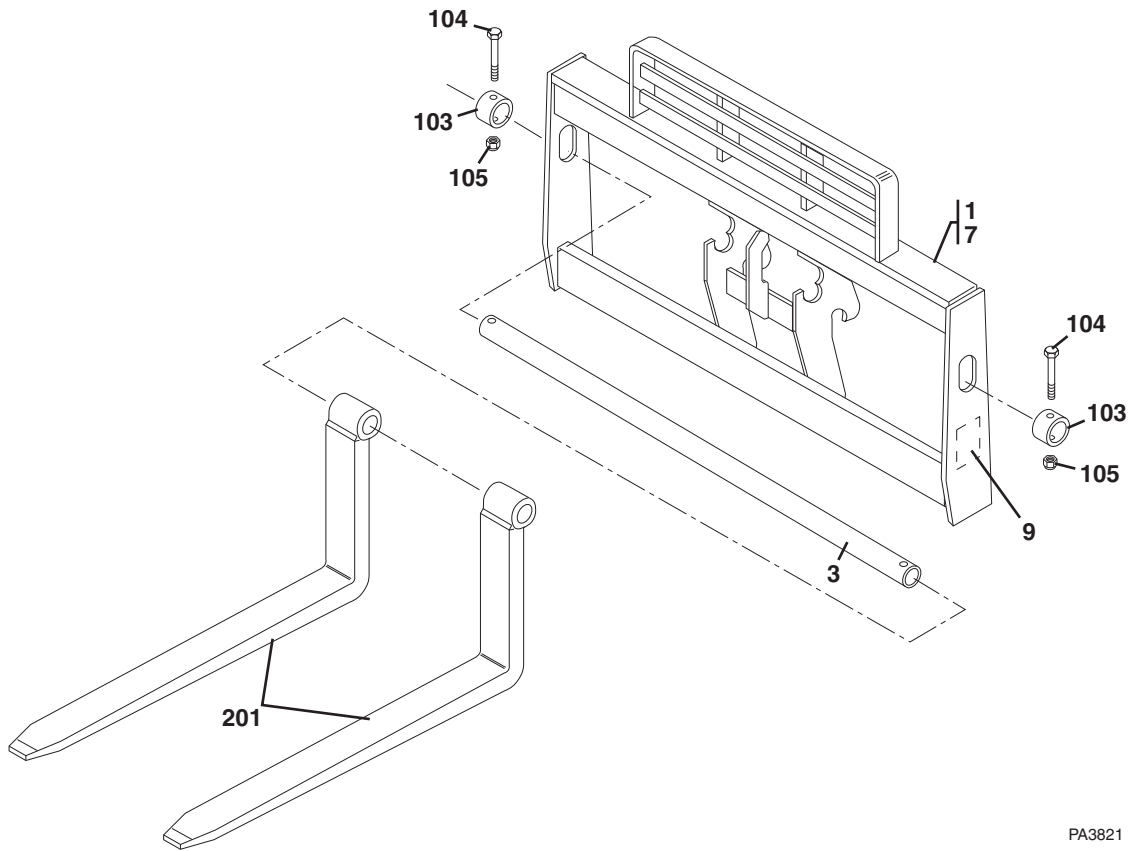
Item	Part Number	Qty.	Description	Rev.
1	7110744	1	UTILITY BUCKET, 1-1/4 YD <sup>3</sup> , ( <b>Before S/N 0160037788</b> ), (includes item 2)	E
	1001100822	1	72 IN BUCKET, 1.0 YD <sup>3</sup> , ( <b>S/N 0160037788 &amp; After</b> ), (includes item 2)	B
	1001100823	1	96 IN BUCKET, 1.5 YD <sup>3</sup> , ( <b>S/N 0160037788 &amp; After</b> ), (includes item 2)	B
	1001100824	1	102 IN BUCKET, 2.0 YD <sup>3</sup> , ( <b>S/N 0160037788 &amp; After</b> ), (includes item 2)	B
2	NSS	1	S/N PLATE	



# ATTACHMENTS

S/N 17019 thru 19897 &  
0160002408 thru 0160034148

### Figure 3-2 Tilt Carriage



PA3821

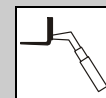


Figure 3-2 Tilt Carriage

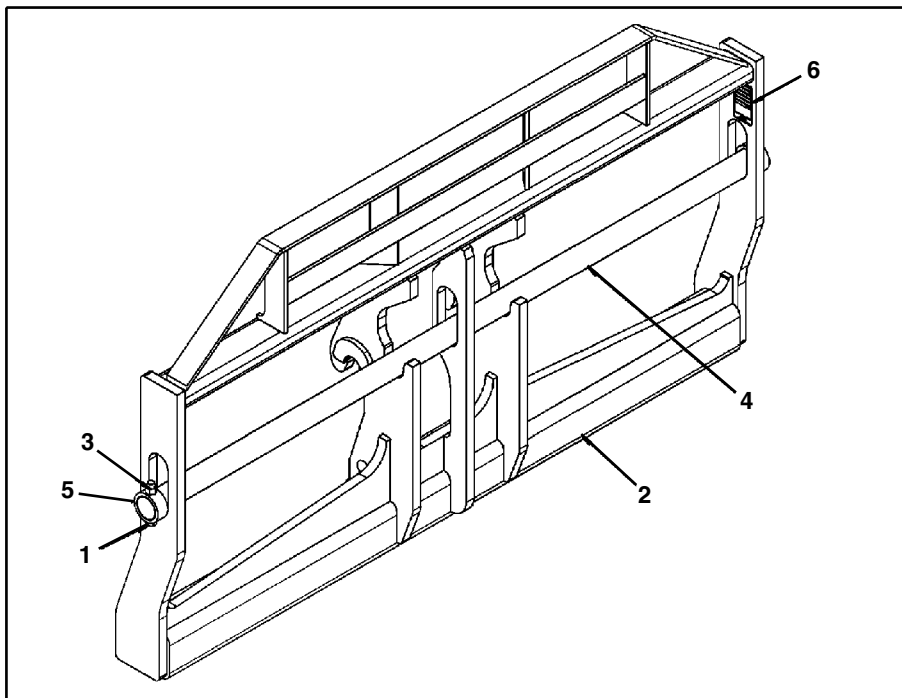
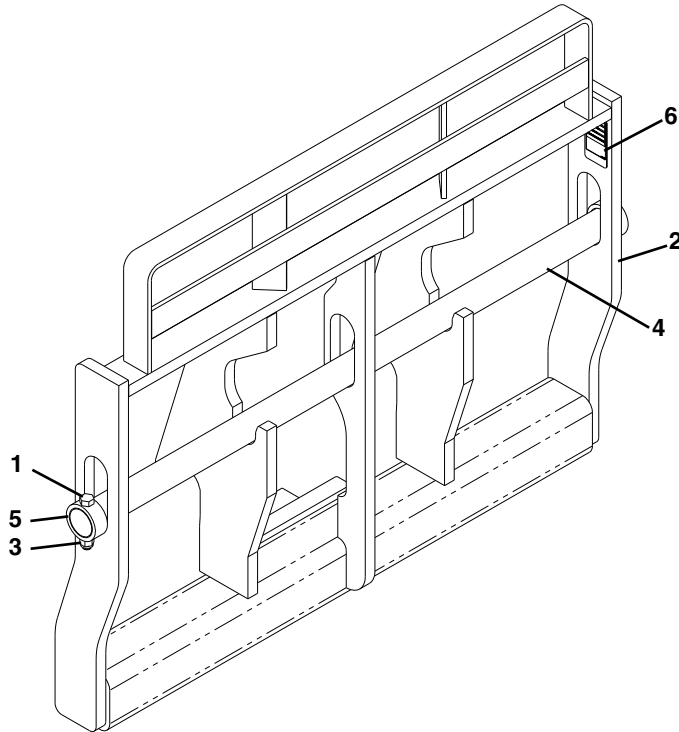
Item	Part Number	Qty.	Description	Rev.
	6040500	1	48 IN CARRIAGE, (includes items 1 thru 9)	6
	6040600	1	60 IN CARRIAGE, (includes items 1 thru 9)	4
	6040700	1	72 IN CARRIAGE, (includes items 1 thru 9)	5
1	NSS	1	CARRIAGE	
3	7128772	1	FORK PIVOT SHAFT, (48 in carriage)	
	90451058	1	FORK PIVOT SHAFT, (50 in carriage)	
	7128792	1	FORK PIVOT SHAFT, (60 in carriage)	
	90551013	1	FORK PIVOT SHAFT, (72 in carriage)	
7	7118993	Ref	STANDARD CARRIAGE ASSY, (no longer available, see items 103 thru 105 for service)	G
9	NSS	1	S/N PLATE	
103	90200003	2	COLLAR	
104	8303634	2	HEX HD CAPSCREW, 5/8-11X4	
105	8305643	2	HEX LOCKNUT, 5/8-11	
201		Ref	FORKS, (see Figure 3-10 for details)	



# ATTACHMENTS

S/N 0160034161 & After

### Figure 3-2 Tilt Carriage



S/N 0160043196 & AFTER INCLUDING 0160042736, 0160042742, 0160042747, 0160042755

PAP9350

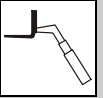


Figure 3-2 Tilt Carriage

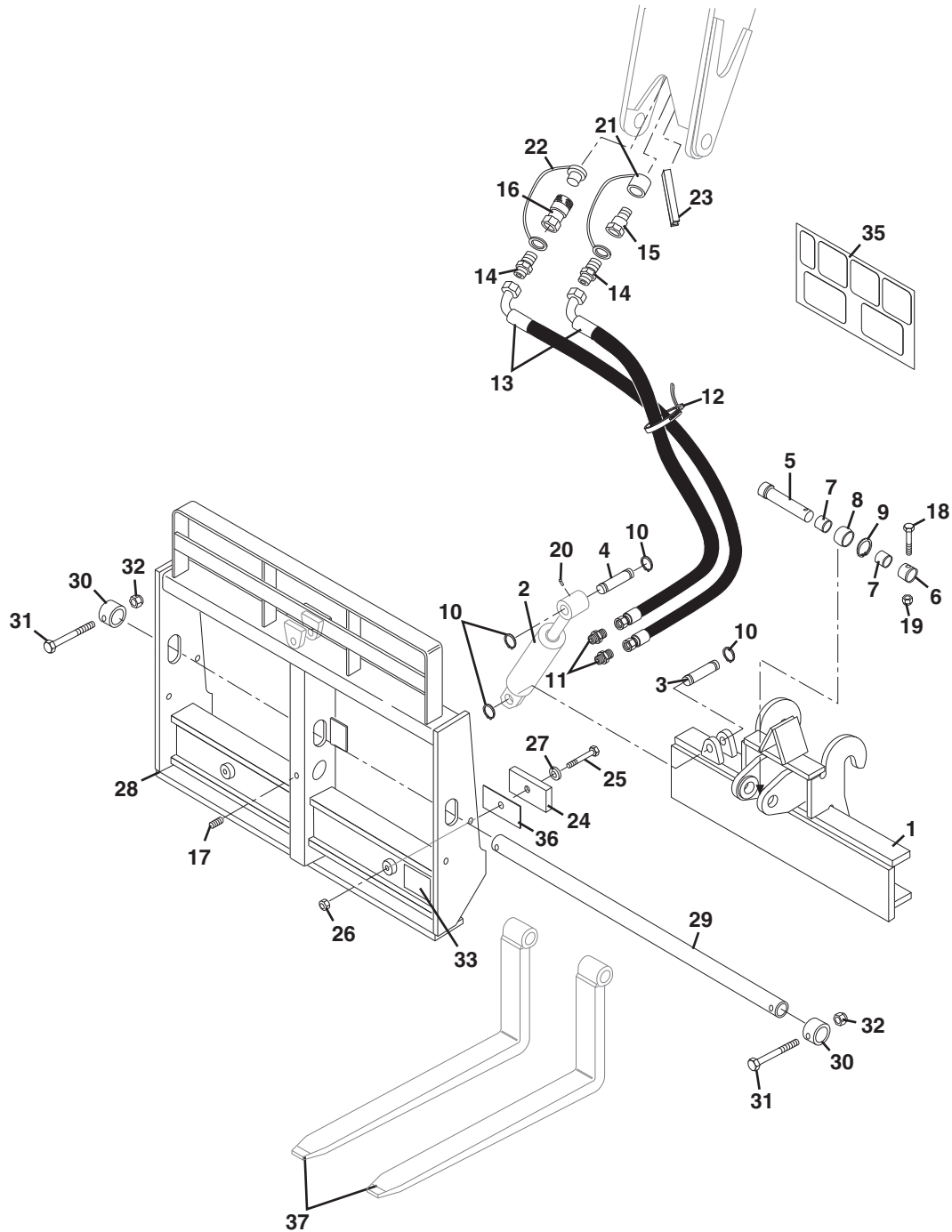
Item	Part Number	Qty.	Description	Rev.
	1170021	1	50 IN TILT CARRIAGE, (includes items 1 thru 6)	D
	1170024	1	60 IN TILT CARRIAGE, (includes items 1 thru 6)	D
	1170027	1	72 IN TILT CARRIAGE, ( <b>Before S/N 0160043196 excluding 0160042736, 0160042742, 0160042747, 0160042755</b> ), (includes items 1 thru 6)	E
	1001132514	1	72 IN TILT CARRIAGE, ( <b>S/N 0160043196 &amp; After including 0160042736, 0160042742, 0160042747, 0160042755</b> ), (includes items 1 thru 6)	A
1	0642032	2	HEX HD CAPSCREW, 5/8-11X4, GR5	
2	NSS	1	TILT CARRIAGE	
3	3300240	2	LOCKNUT, 5/8-11	
4	3423275	1	50 IN FORK PIN	
	3423242	1	60 IN FORK PIN	
	3423276	1	72 IN FORK PIN	
5	90200003	2	COLLAR	
6	NSS	1	S/N PLATE	



# ATTACHMENTS

Before S/N 0160037788

### Figure 3-3 Side Tilt Carriage



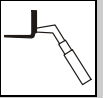


Figure 3-3 Side Tilt Carriage

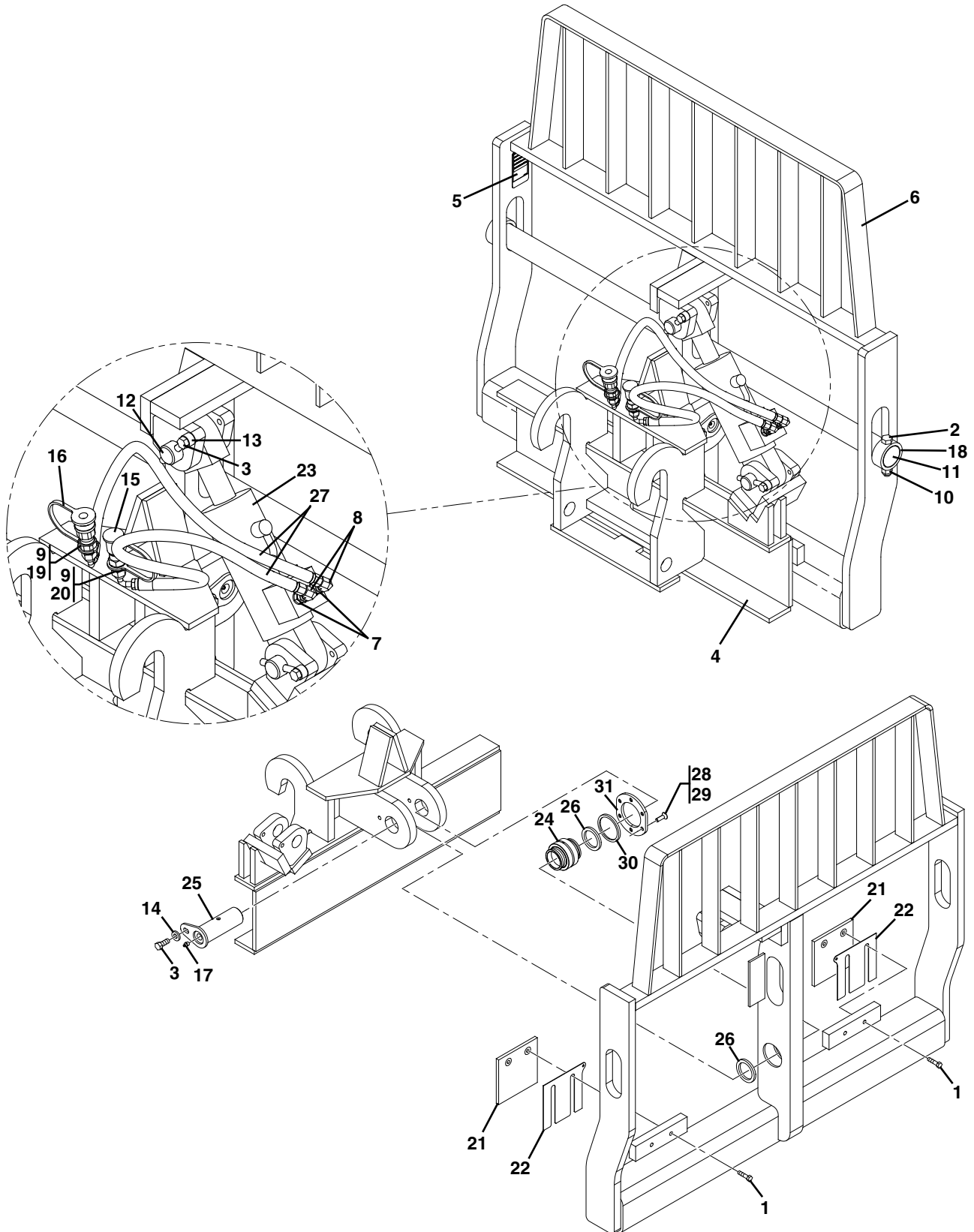
Item	Part Number	Qty.	Description	Rev.
	7117214	1	SIDE TILT CARRIAGE ASSY, (includes items 1 thru 36)	N
1	7117204	1	PIVOT BASE	
2		Ref	SIDE TILT CYLINDER, (see Figure 12-4 for details)	
3	7077501	1	CYLINDER BASE PIN	
4	7077511	1	CYLINDER ROD PIN	
5	7085411	1	PIVOT PIN	
6	7085501	1	PIN LOCKING COLLAR	
7	7077481	2	SPACER	
8	8065634	1	SELF ALIGN BUSHING	
9	8642001	1	SNAP RING	
10	8642235	4	SNAP RING	
11	2220371	2	STRAIGHT CONNECTOR	
12	8584001	1	TY-RAP	
13	2711992	2	HOSE ASSY	
14	2220372	2	STRAIGHT CONNECTOR	
15	91403414	1	MALE QUICK DISCONNECT	
	8640029	1	NOSE SEAL, (not shown)	
16	91403413	1	FEMALE QUICK DISCONNECT	
	8640029	1	NOSE SEAL, (not shown)	
	8640028	1	COUPLER BODY SEAL, (not shown)	
	8640032	1	COUPLER BODY SEAL BACK-UP RING, (not shown)	
17	88671001	1	GREASE FITTING	
18	8303770	1	HEX HD CAPSCREW, 3/8-16X2-3/4	
19	8305645	1	HEX LOCKNUT, 3/8-16 ESNA	
20	8520013	2	LUBE FITTING	
21	8420053	1	DUST CAP, #8	
22	8420055	1	DUST PLUG, #8	
23	7125741	1	MOULDING	
24	7065482	2	WEAR PAD	
25	8303739	2	HEX HD CAPSCREW, 5/16-18X1-1/4	
26	8305626	2	HEX LOCKNUT, 5/16-18	
27	8307203	2	FLAT HEAVY WASHER	
28	7117244	1	48 IN SIDE TILT CARRIAGE	
	7300983	1	50 IN SIDE TILT CARRIAGE	
	7117254	1	60 IN SIDE TILT CARRIAGE	
	7117264	1	72 IN SIDE TILT CARRIAGE	
29	7128772	1	FORK PIVOT SHAFT, (48 in carriage)	
	90451058	1	FORK PIVOT SHAFT, (50 in carriage)	
	7128792	1	FORK PIVOT SHAFT, (60 in carriage)	
	90551013	1	FORK PIVOT SHAFT, (72 in carriage)	
30	90200003	2	COLLAR	
31	8303634	2	HEX HD CAPSCREW, 5/8-11X4	
32	8305643	2	HEX LOCKNUT, 5/8-11	
33	NSS	1	S/N PLATE	
35	4108232	1	CAPACITY CHART DECAL	
36	7070191	AR	SHIM	
37		Ref	FORKS, (see Figure 3-10 for details)	



# ATTACHMENTS

S/N 0160037788 & After

### Figure 3-3 Side Tilt Carriage



PAP2970

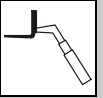


Figure 3-3 Side Tilt Carriage

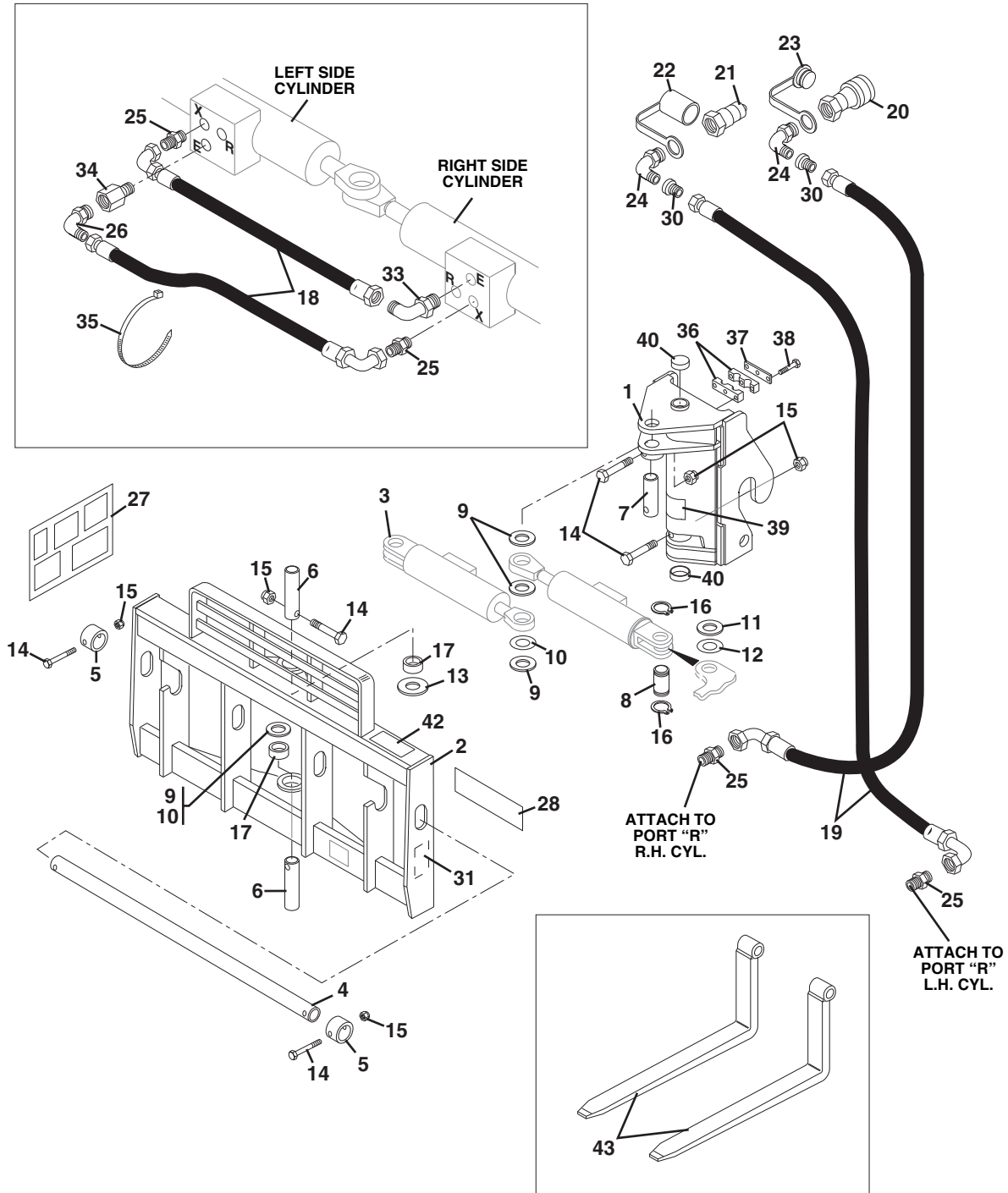
Item	Part Number	Qty.	Description	Rev.
	1170054	1	50 IN SIDE TILT CARRIAGE, (includes all items)	H
	1001101956	1	60 IN SIDE TILT CARRIAGE, (includes all items)	H
	1170057	1	72 IN SIDE TILT CARRIAGE, (includes all items)	H
1	0641612	4	HEX HD CAPSCREW, 3/8-16X1-1/2	
2	0642032	2	HEX HD CAPSCREW, 5/8-11X4	
3	0681810	3	HEX HD CAPSCREW, 1/2-13X1-1/4	
4	NSS	1	CARRIAGE BASE	
5	NSS	1	S/N PLATE	
6	NSS	1	SIDE TILT CARRIAGE	
7	2110606	2	CONNECTOR	
8	2172106	2	CONNECTOR, 90 DEGREES	
9	2110808	2	CONNECTOR, (50 IN Side Tilt Carriage)	
	2110608	2	CONNECTOR, (60 IN Side Tilt Carriage)	
	2110808	2	CONNECTOR, (72 IN Side Tilt Carriage)	
10	3300240	2	LOCK NUT, 5/8-11	
11	3423275	1	50 IN FORK PIN	
	3423242	1	60 IN FORK PIN	
	3423276	1	72 IN FORK PIN	
12	3423307	2	PIN	
13	3841203	2	KEEPER	
14	4891800	1	WASHER, 1/2	
15	8420053	1	DUST CAP	
16	8420055	1	DUST PLUG	
17	88671001	1	GREASE FITTING	
18	90200003	2	COLLAR	
19	91403413	1	CONNECTOR	
20	91403414	1	CONNECTOR	
21	1001090063	2	WEAR PAD	
22	1001090064	AR	SHIM	
23		Ref	HYDRAULIC CYLINDER, (see Figure 9-11 for details)	
24	1001090140	1	BEARING	
25	1001099113	1	PIN	
26	1001099115	2	SLEEVE	
27	1001102378	2	HOSE ASSY, 3/8X39	
28	0100011	AR	LOCTITE® 242™	
29	0741610	6	FLAT HEAD SOCKET SCREW, 3/8-16	
30	1001120914	1	BEARING RETAINER SHIM	
31	1001120915	1	BEARING RETAINER PLATE	



# ATTACHMENTS

Before S/N 0160037788

### Figure 3-4 Swing Carriage



PH4760

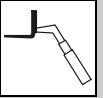


Figure 3-4 Swing Carriage

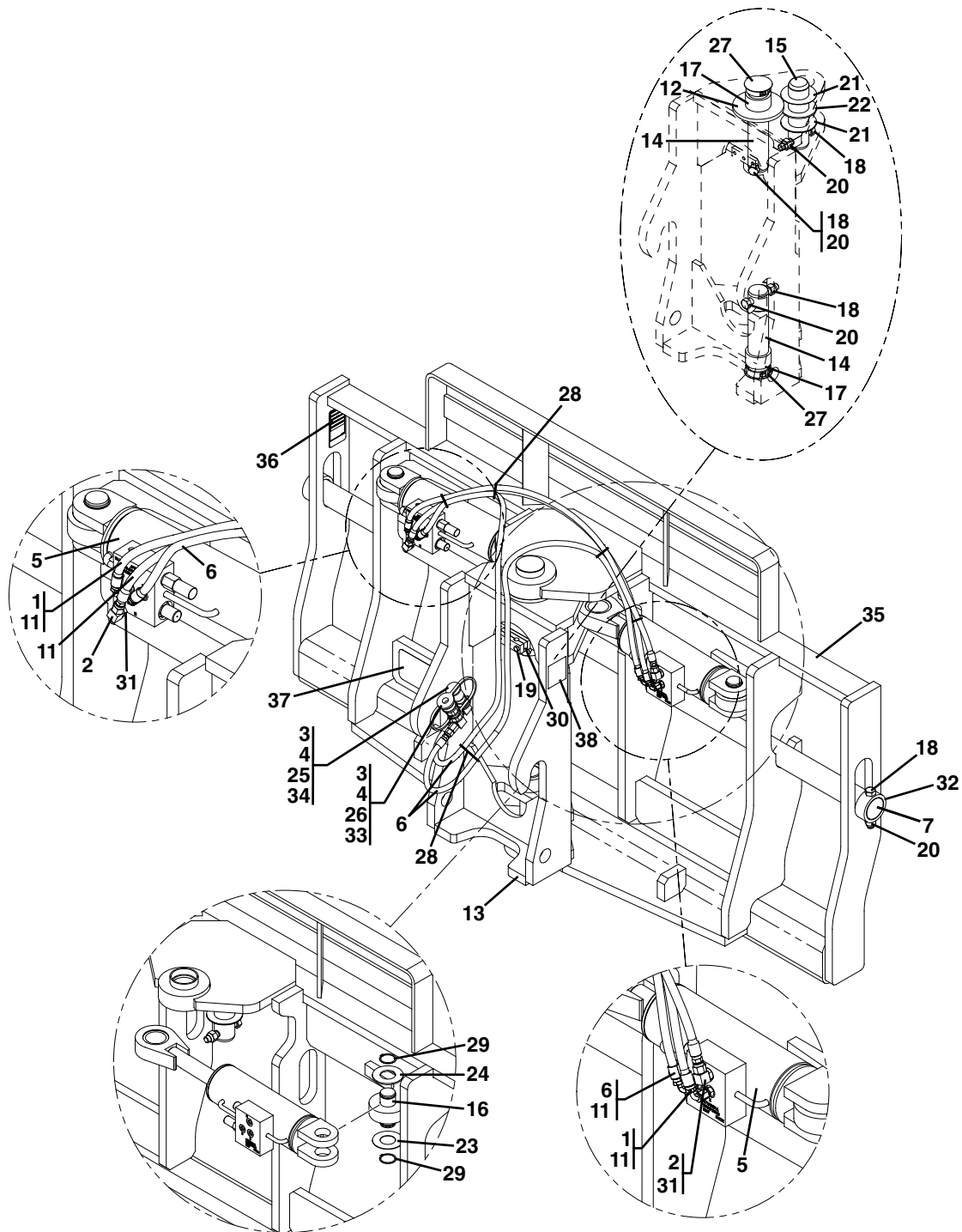
Item	Part Number	Qty.	Description	Rev.
	7125800	1	72 IN SWING CARRIAGE ASSY, (includes items 1 thru 42)	
1	7110494	1	PIVOT BASE	
2	7110694	1	72 IN CARRIAGE	
3		Ref	SWING CARRIAGE CYLINDER, (see Figure 12-3 for details)	
4	90551013	1	FORK PIVOT SHAFT	
5	90200003	2	COLLAR	
6	7110702	2	CARRIAGE PIVOT PIN	
7	7110712	1	CYLINDER PIVOT PIN, (rod end)	
8	7110722	2	CYLINDER PIVOT PIN, (base end)	
9	8307918	AR	SHIM, 2 IDX10GA	
10	8307904	AR	SHIM, 2 IDX18GA	
11	8310161	AR	SHIM, 1-1/2 IDX10GA	
12	8310160	AR	SHIM, 1-1/2 IDX18GA	
13	7062922	1	THRUST BEARING	
14	8303634	5	HEX HD CAPSCREW, 5/8-11X4	
15	8305643	5	HEX LOCKNUT, 5/8-11	
16	8642207	4	RETAINING RING	
17	8065062	2	SELF LUBE BEARING	
18	6604662	2	HOSE ASSY	
19	2717287	2	HOSE ASSY	
20	91403413	1	FEMALE QUICK DISCONNECT	
	8640029	1	SEAL NOSE, (not shown)	
	8640028	1	COUPLER BODY SEAL, (not shown)	
	8640032	1	COUPLER BODY SEAL BACK-UP RING, (not shown)	
21	91403414	1	MALE QUICK DISCONNECT	
	8640029	1	NOSE SEAL, (not shown)	
22	8420053	1	DUST CAP, #8	
23	8420055	1	DUST PLUG, #8	
24	2220628	2	ELBOW, 90 DEGREES	
25	2220415	4	STRAIGHT CONNECTOR	
26	2220473	1	ELBOW, 90 DEGREES	
27	4107692	2	CAPACITY CHART DECAL	
28	4107702	1	TIP OVER HAZARD, DANGER DECAL	
30	2220609	2	TUBE END REDUCER, 6-4	
31	NSS	1	S/N PLATE	
33	2220775	1	ELBOW, 90 DEGREES	
34	8770016	1	REDUCER	
35	8584001	5	TY-RAP	
36	8769132	2	CLAMP HALF	
37	6608621	1	CLAMP COVER	
38	8303715	3	HEX HD CAPSCREW, 5/16-18X1-1/2	
39	4107712	1	NO TRUSS BOOM DANGER DECAL	
40	8580315	2	TRIM PLUG, 2-1/2 DIA	
42	4110473	1	HOSE ROUTING DECAL	
43		Ref	FORKS, (see Figure 3-10 for details)	



# ATTACHMENTS

S/N 0160037788 & After

Figure 3-4 Swing Carriage



PAP3360

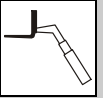
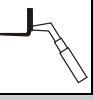


Figure 3-4 Swing Carriage

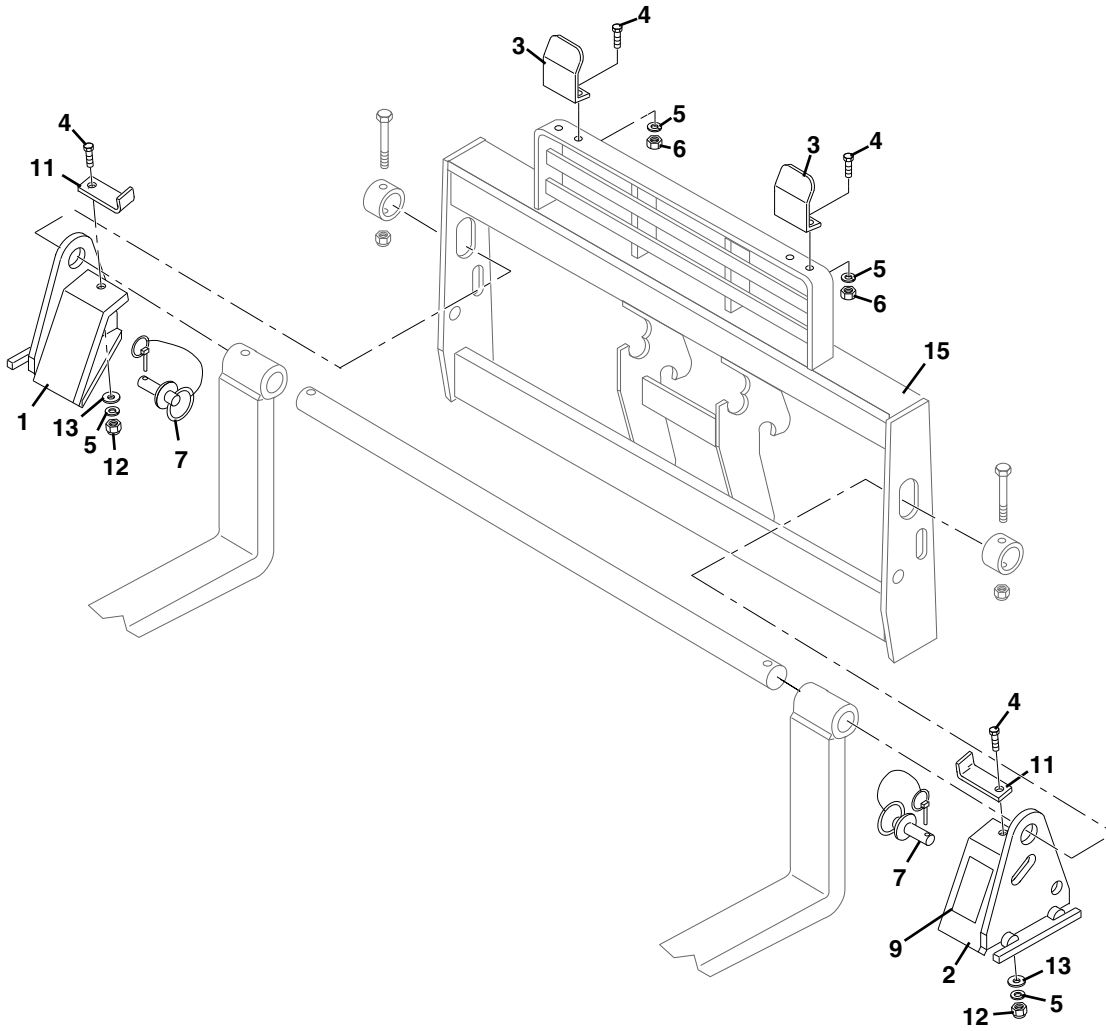
Item	Part Number	Qty.	Description	Rev.
	1001095418	1	90 DEGREE SWING CARRIAGE, 72 IN, (includes all items)	K
1	2220415	4	CONNECTOR	
2	2220473	2	CONNECTOR, 90 DEGREES	
3	2220609	2	CONNECTOR	
4	2220628	2	CONNECTOR, 90 DEGREES	
5		Ref	SWING CYLINDER, (see Figure 9-12 for details)	
6	2717287	2	HOSE ASSY, 1/4X58	
7	3423276	1	PIN	
11	6604662	2	HOSE ASSY, 1/4X40.5	
12	7062922	1	WASHER	
13	NSS	1	PIVOT WELDMENT	
14	7110702	2	PIVOT PIN	
15	7110712	1	PIN	
16	7110722	2	PIN	
17	8065062	2	BUSHING	
18	8303634	5	HEX HD CAPSCREW, 5/8-11X4, GR5	
19	8303715	3	HEX HD CAPSCREW, 5/16-18X1.5, GR5	
20	8305643	5	HEX NUT, 5/8-11	
21	8307904	AR	SHIM	
22	8307918	AR	SHIM	
23	8310160	AR	SHIM	
24	8310161	AR	SHIM	
25	8420053	1	DUST CAP	
26	8420055	1	DUST PLUG	
27	8580315	2	PLUG	
28	8584001	5	TIE WRAP	
29	8642207	4	RETAINING RING	
30	8769132	2	CLAMP	
31	8770016	2	CONNECTOR	
32	90200003	2	COLLAR	
33	91403413	1	CONNECTOR	
34	91403414	1	CONNECTOR	
35	NSS	1	CARRIAGE FRAME	
36	NSS	1	S/N PLATE	
37	1706850	1	WARNING CRUSH HAZARD DECAL, (ANSI)	
	1001092877	1	WARNING CRUSH HAZARD DECAL, (ISO)	
38	1001111190	1	WARNING DECAL	



# ATTACHMENTS

Before S/N 0160037788

### Figure 3-5 Sheet Material Handler



PAP11140

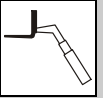
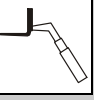


Figure 3-5 Sheet Material Handler

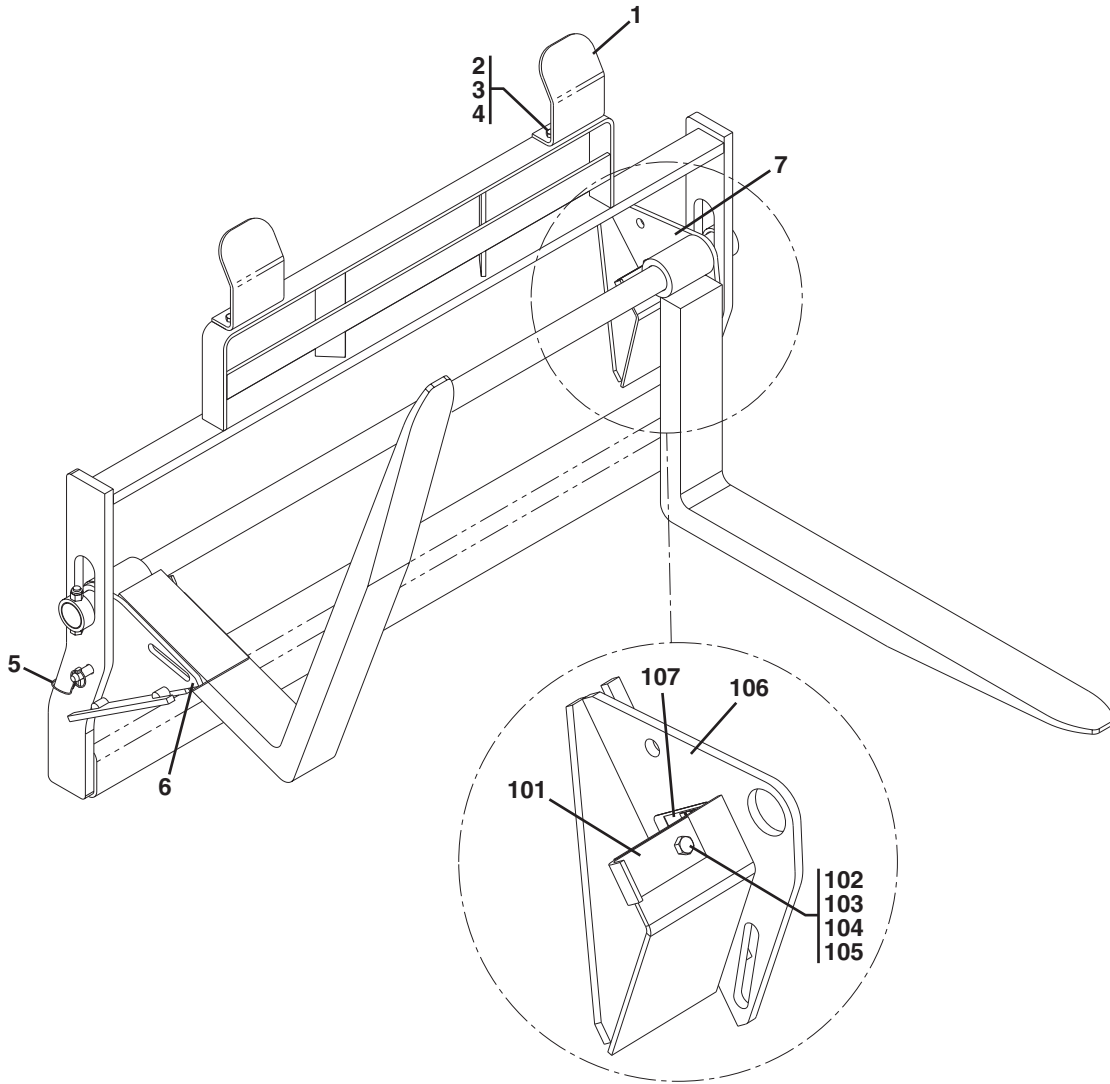
Item	Part Number	Qty.	Description	Rev.
	7129300	1	SHEET MATERIAL HANDLER WITH 72 IN SWING CARRIAGE ASSY, (includes items 1 thru 13)	
	7112704	1	SHEET MATERIAL HANDLER WITH 72 IN SWING CARRIAGE ASSY, (includes items 1 thru 13)	E
1	7112533	1	RIGHT SIDE FORK SUPPORT	
2	7112523	1	LEFT SIDE FORK SUPPORT	
3	7112642	2	BACKREST EXTENSION	
4	8303626	6	HEX HD CAPSCREW, 1/2-13X1-1/2	
5	8307007	6	LOCKWASHER, 1/2	
6	8305012	4	HEX NUT, 1/2-13	
7	8301456	2	HITCH PIN	
9	NSS	2	CAPACITY/ S/N PLATE	
11	7114941	2	LOCK BAR	
12	8305644	2	HEX LOCKNUT, 1/2-13	
13	8307112	2	FLAT WASHER, 1/2	
15		Ref	72 IN SWING CARRIAGE, (see Figure 3-4 for details)	



# ATTACHMENTS

S/N 0160037788 & After

### Figure 3-5 Sheet Material Handler



PY1510

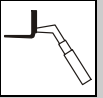
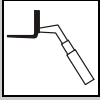


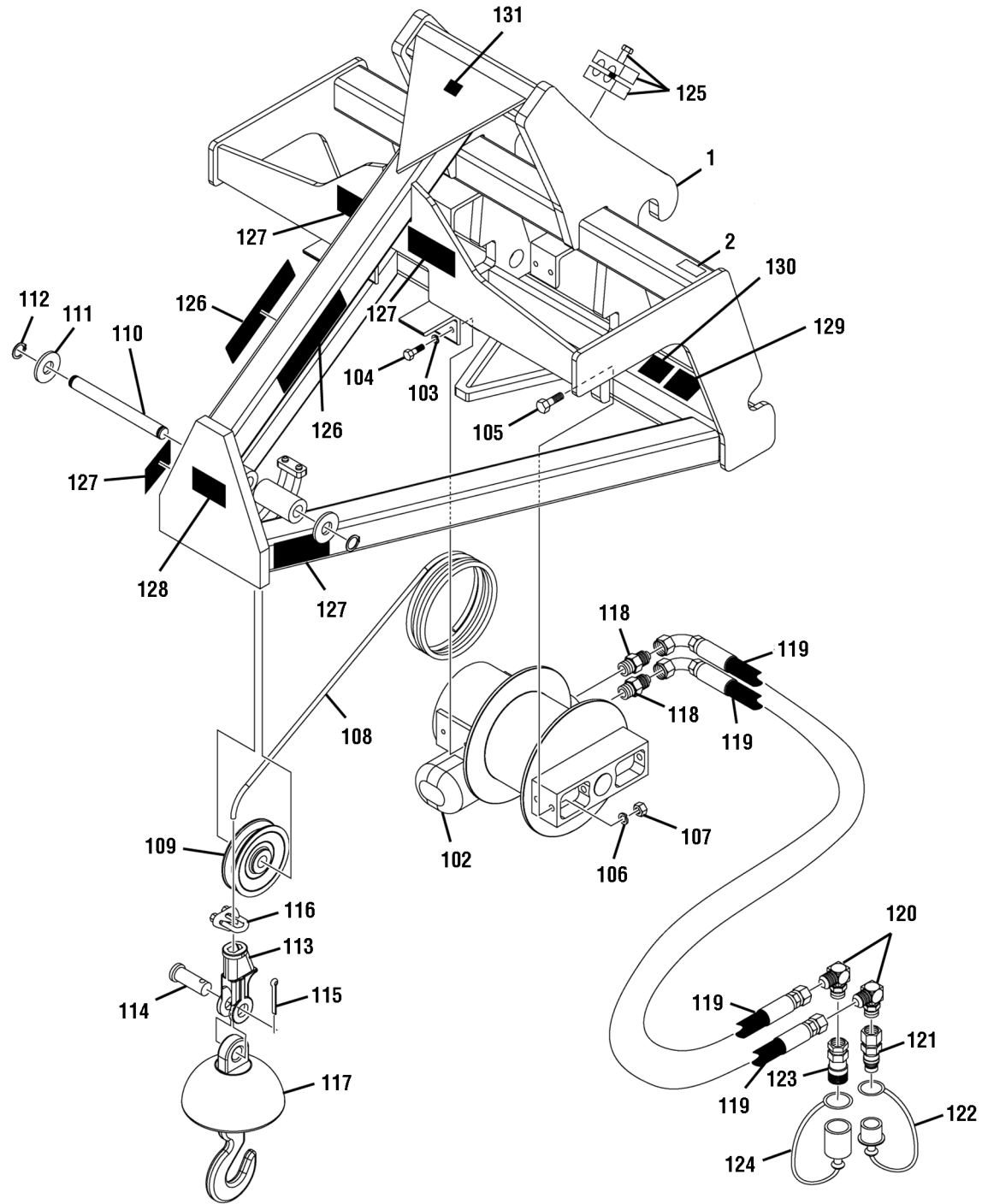
Figure 3-5 Sheet Material Handler

Item	Part Number	Qty.	Description	Rev.
	1001100227	1	SHEET MATERIAL HANDLER ASSY, (includes all items)	A
1	7112642	2	BACKREST EXTENSION	
2	8303626	4	HEX HD CAPSCREW, 1/2-13X1-1/2 GR5	
3	8305012	4	HEX NUT, 1/2-13	
4	8307007	4	LOCK WASHER, 1/2	
5	1001093377	2	HITCH PIN	
6	1001101115	1	FORK SUPPORT ASSY, RH, (includes items 101 thru 107)	A
7	1001101116	1	FORK SUPPORT ASSY, LH, (includes items 101 thru 107)	B
101	7114941	1	LOCK BAR	
102	8303626	1	HEX HD CAPSCREW, 1/2-13X1-1/2, GR5	
103	8305644	1	HEX LOCK NUT, 1/2-13	
104	8307007	1	LOCK WASHER, 1/2	
105	8307112	1	WASHER, 1/2	
106	1001100228	1	FORK SUPPORT, RH	
	1001100229	1	FORK SUPPORT, LH	
107	NSS	1	S/N PLATE	



# ATTACHMENTS

Figure 3-6 3 Ft Truss Boom With Winch



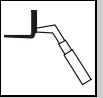
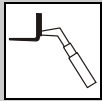


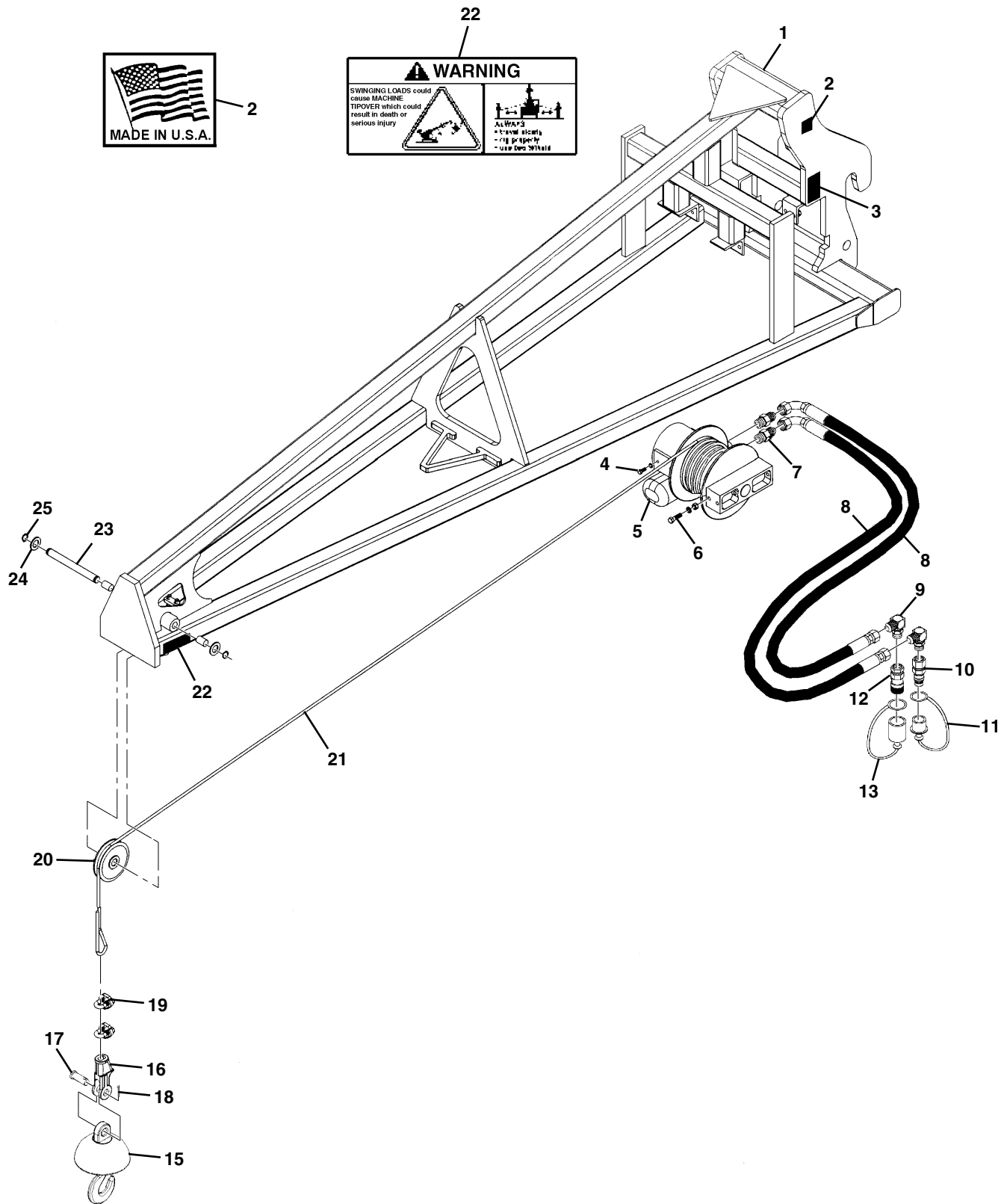
Figure 3-6 3 Ft Truss Boom With Winch

Item	Part Number	Qty.	Description	Rev.
	7139608	1	3 FT TRUSS BOOM WITH WINCH, (S/N 17019 thru 19897 & 0160002408 thru 0160034042), (includes all items)	G
	1001100967	1	3 FT TRUSS BOOM WITH WINCH, (S/N 0160034043 & After), (includes items 1 & 2)	A
1	8380008	1	3 FT TRUSS BOOM WITH WINCH, (includes items 102 thru 131)	
2	NSS	1	CAPACITY/S/N PLATE	
3	7301040	1	LOAD CHART BOOKLET, (not shown)	
102	70021921	1	WINCH	
103	90554042	4	LOCKWASHER, 3/8	
104	70021349	4	HEX HD CAPSCREW, 3/8X1	
105	70024059	2	HEX HD CAPSCREW, 1/2X1-3/4	
106	90554020	2	LOCKWASHER, 1/2	
107	90554054	2	HEX NUT, 1/2	
108	70022028	1	CABLE	
109	70021935	1	PULLEY	
110	70022529	1	PIN	
111	70024060	2	HARDENED FLAT WASHER	
112	70024061	2	SNAP RING	
113	70021979	1	SOCKET ASSY, (includes items 114 & 115)	
114	NSS	1	PIN	
115	NSS	1	COTTER PIN	
116	70022528	1	CLAMP	
117	70021978	1	BALL SWIVEL WITH SAFETY HOOK	
118	2220371	2	CONNECTOR	
119	70021977	2	HOSE ASSY, 3/8X32	
120	2220628	2	ELBOW, 90 DEGREES	
121	91403413	1	QUICK DISCONNECT COUPLER	
122	91043126	1	DUST CAP	
123	91403414	1	QUICK DISCONNECT NIPPLE	
124	91043125	1	DUST PLUG	
125	70021387	1	CLAMP	
126	70024062	2	CAPACITY DECAL	
127	70024063	4	ROTATING PART DECAL	
128	70024064	1	DO NOT TOW DECAL	
129	NSS	1	S/N PLATE	
130	90554018	1	WARNING HIGH PRESSURE DECAL	
131	90554016	1	MADE IN USA DECAL	



# ATTACHMENTS

### Figure 3-7 12 Ft Truss Boom With Winch



PAP3440

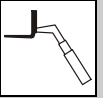


Figure 3-7 12 Ft Truss Boom With Winch

Item	Part Number	Qty.	Description	Rev.
	1001099351	1	12 FT TRUSS BOOM WITH WINCH, (includes all items)	F
1	NSS	1	TRUSS BOOM FRAME	
2	90554016	1	MADE IN USA DECAL	
3	NSS	1	S/N PLATE	
4	70021349	4	HEX HD CAPSCREW, 3/8X1	
	90554042	4	LOCK WASHER, 3/8	
5	70021921	1	TRUSS BOOM WINCH MOTOR	
6	NSS	2	HEX HD CAPSCREW, 1/2X1.75	
	90554020	2	LOCK WASHER, 1/2	
	90554054	2	HEX NUT, 1/2	
7	70021415	2	CONNECTOR	
8	70021977	2	HOSE ASSY, 3/8X32	
9	NSS	1	ELBOW, 90 DEGREES	
10	7029692	1	MALE QUICK COUPLER	
11	90554062	1	DUST CAP	
12	70021342	1	FEMALE QUICK COUPLER	
13	90554076	1	DUST COVER	
15	70021978	1	BALL SWIVEL WITH SAFETY HOOK	
16	70021979	1	SOCKET ASSY	
17	NSS	1	PIN	
18	NSS	1	COTTER PIN	
19	NSS	2	CLAMP	
20	70021935	1	PULLEY	
21	70022028	1	CABLE	
22	4110422	2	WARNING SWINGING LOADS DECAL	
23	NSS	1	PIN	
24	NSS	2	FLAT WASHER, 1	
25	NSS	2	SNAP RING	

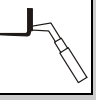
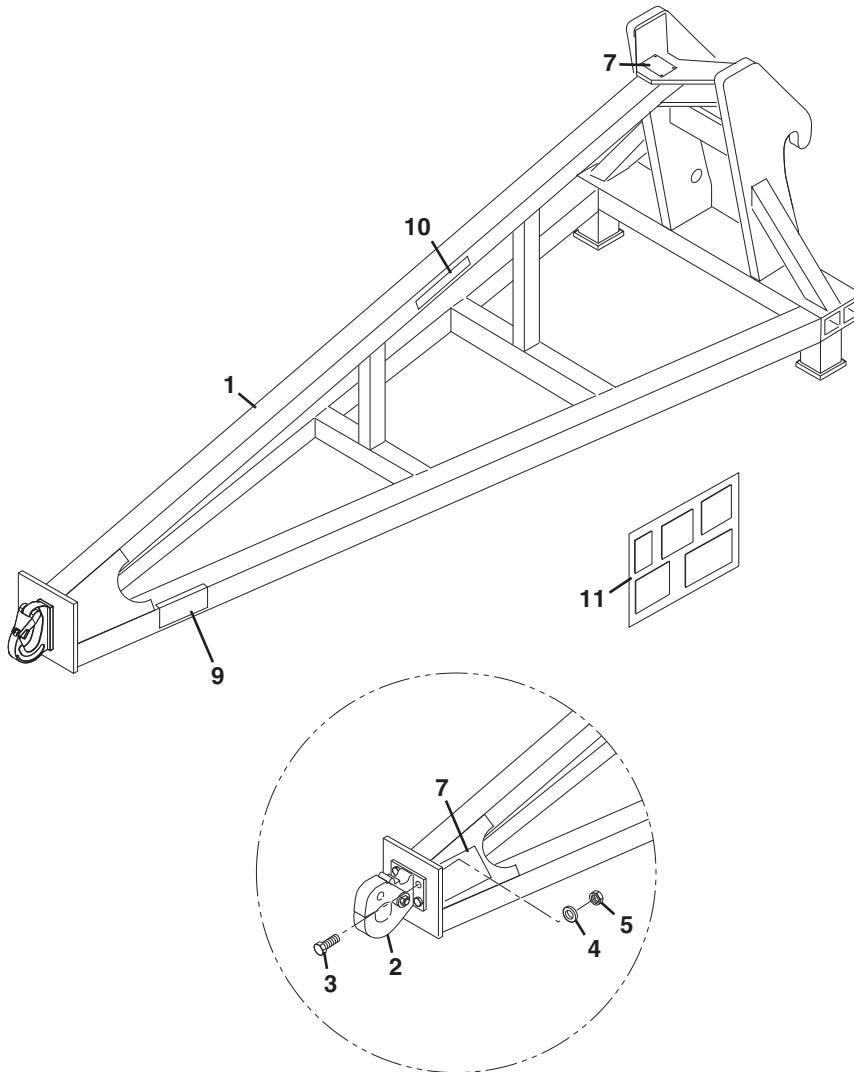


Figure 3-8 Truss Boom



S/N 17019 THRU 19897 & 0160002408 THRU 0160032261

PH4451

**Figure 3-8 Truss Boom**

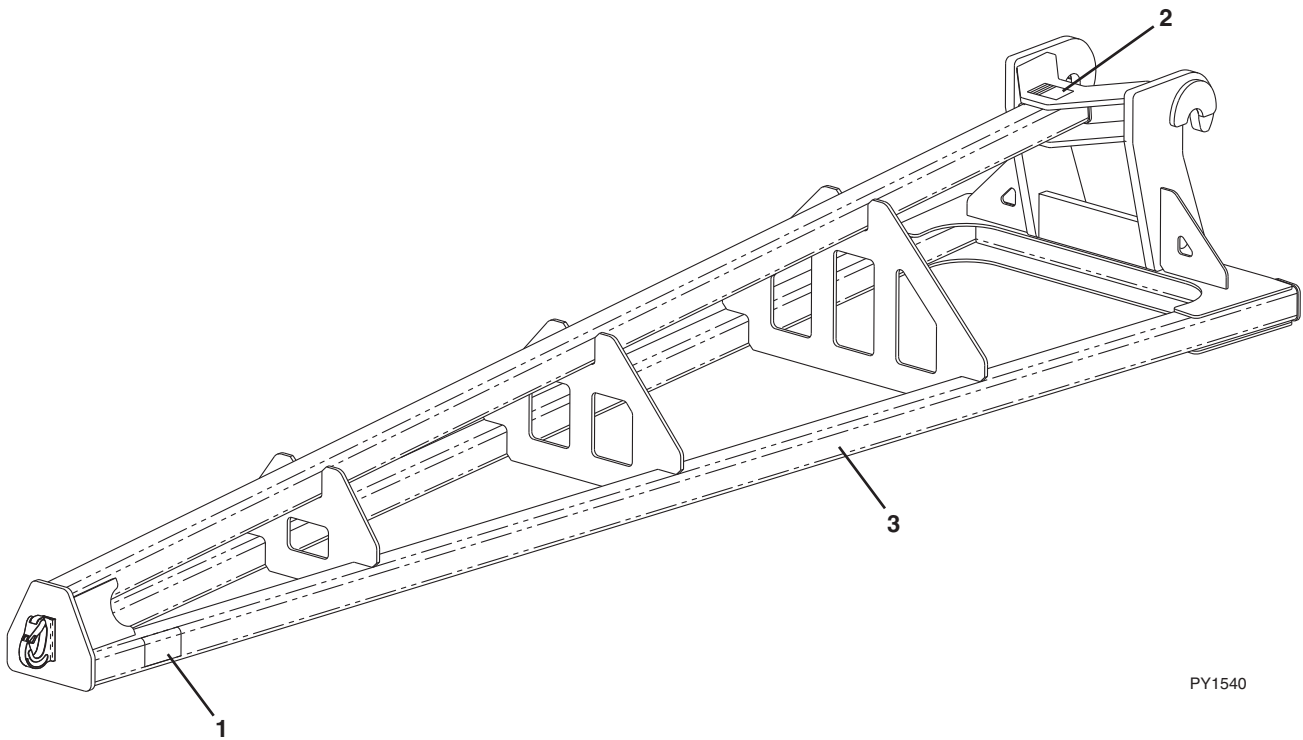
Item	Part Number	Qty.	Description	Rev.
	7113024	1	12 FT TRUSS BOOM ASSY, <b>(Before S/N 0160037903)</b> , (includes all items)	E
	1001099359	1	12 FT TRUSS BOOM ASSY, <b>(S/N 0160037903 &amp; After)</b> , (includes all items)	C
1	7113034	1	TRUSS BOOM WELDMENT	
2	8382017	1	PINTLE HOOK, <b>(S/N 17019 thru 19897 &amp; 0160002408 thru 0160032261)</b>	
3	8310195	4	HEX HD CAPSCREW, 1/2-13X1.75, <b>(S/N 17019 thru 19897 &amp; 0160002408 thru 0160032261)</b>	
4	8307112	4	PLAIN WASHER, 1/2, <b>(S/N 17019 thru 19897 &amp; 0160002408 thru 0160032261)</b>	
5	8305644	4	HEX LOCKNUT, 1/2-13, <b>(S/N 17019 thru 19897 &amp; 0160002408 thru 0160032261)</b>	
7	NSS	1	S/N PLATE	
9	4110422	2	SWING LOAD DECAL	
10	4107832	2	LENGTH/CAPACITY DECAL	
11	4107812	2	CAPACITY CHART	



**ATTACHMENTS**

**Figure 3-8 Truss Boom**

---



PY1540

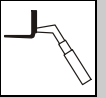


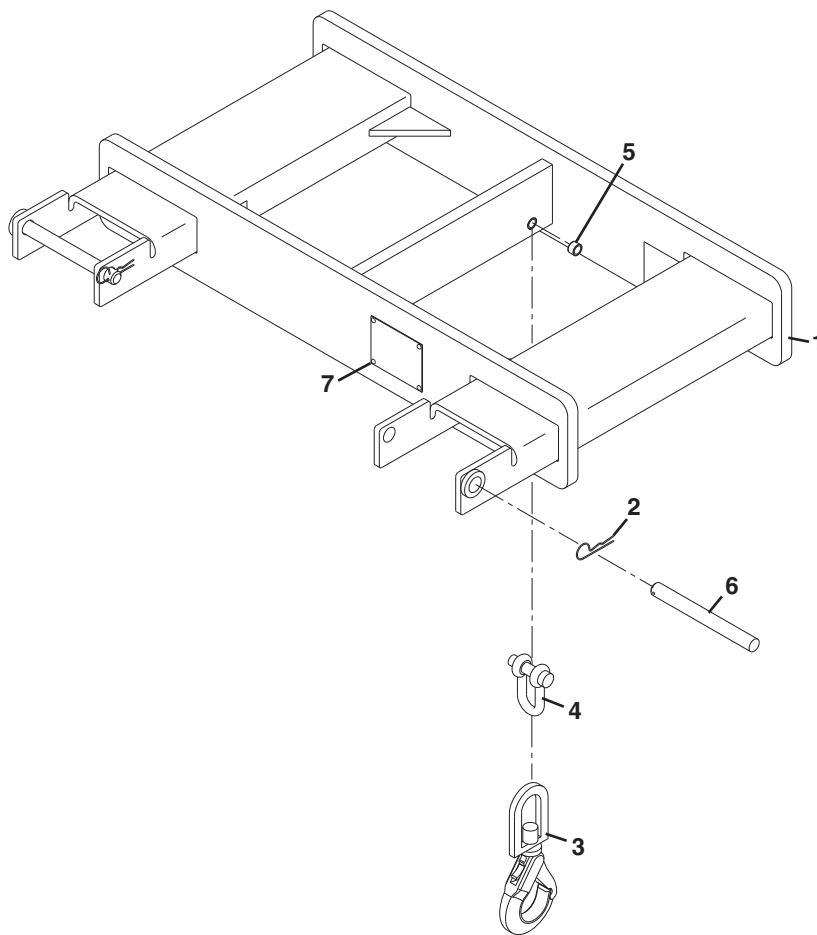
Figure 3-8 Truss Boom

Item	Part Number	Qty.	Description	Rev.
	1001099902	1	12 FT TRUSS BOOM, (includes all items)	A
	1001099901	1	15 FT TRUSS BOOM, (includes all items)	A
1	4110422	2	WARNING SWINGING LOADS DECAL	
2	NSS	1	S/N PLATE	
3	NSS	1	TRUSS BOOM	



## ATTACHMENTS

Figure 3-9 Lifting Hook



**NOTE: PALLET/LUMBER FORKS OF AN APPROPRIATE  
LOAD RATING MUST BE USED.**

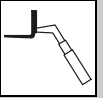
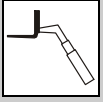


Figure 3-9 Lifting Hook

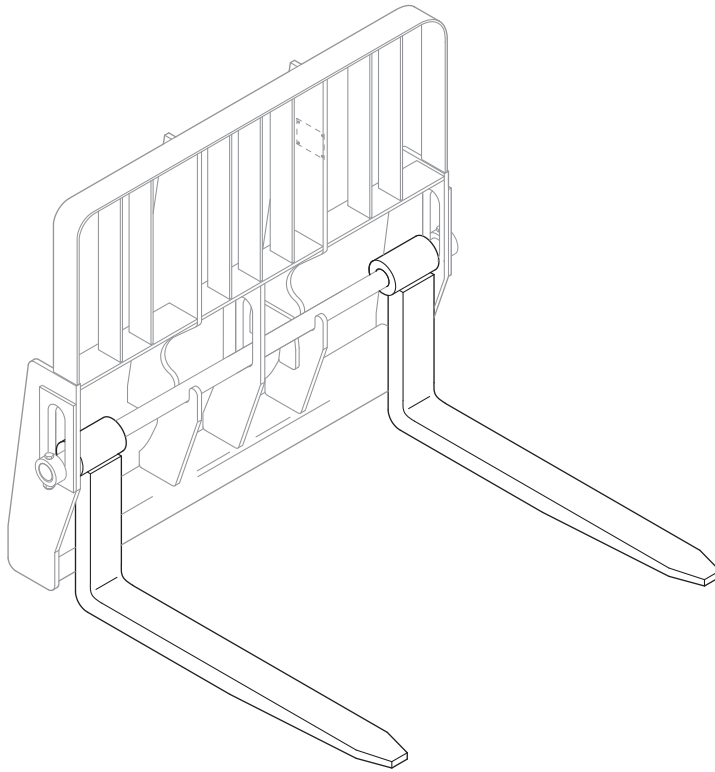
Item	Part Number	Qty.	Description	Rev.
1	91565094	1	LIFTING HOOK ATTACHMENT, (includes all items)	F
2	7029520	2	HAIRPIN CLIP	
3	90554080	1	SLING HOOK	
4	7029521	1	CHAIN SHACKLE, 12,000LB	
5	7029522	1	SPRING BUSHING	
6	7023523	2	PIN	
7	NSS	1	S/N PLATE	



## ATTACHMENTS

Figure 3-10 Forks

---



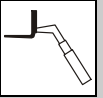


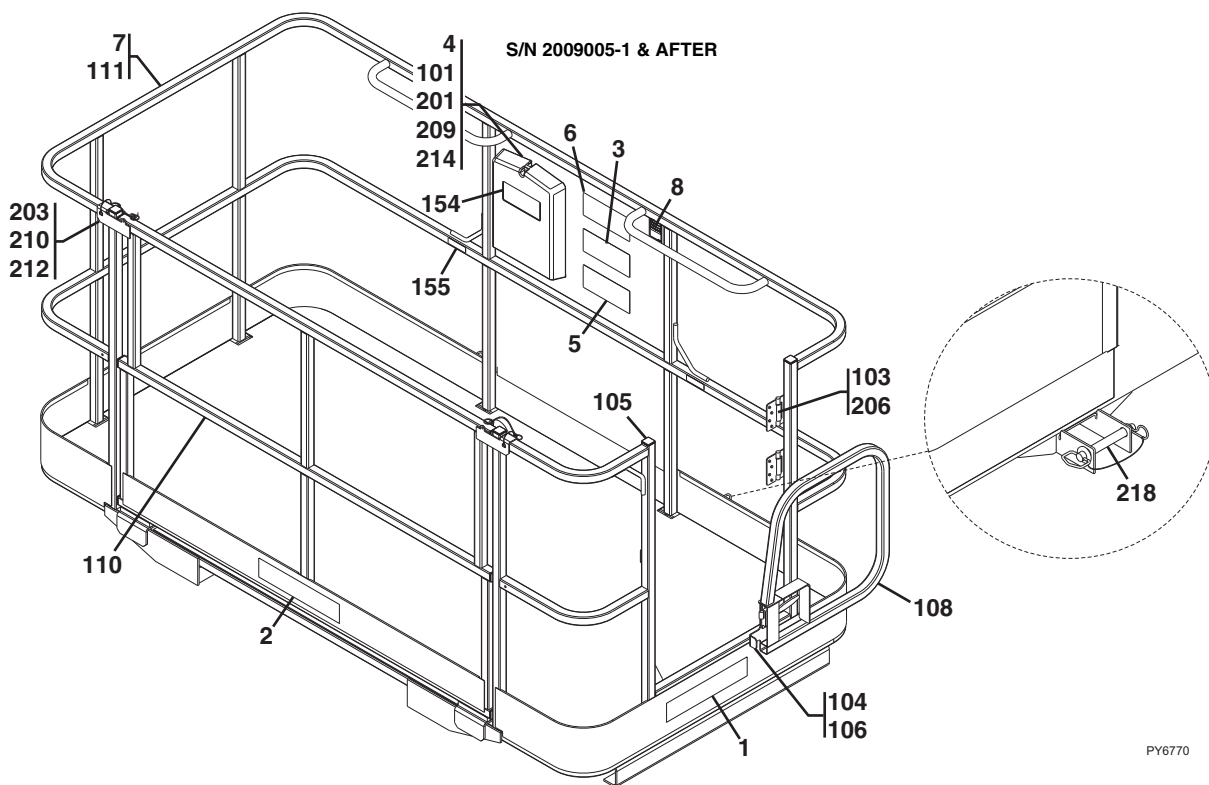
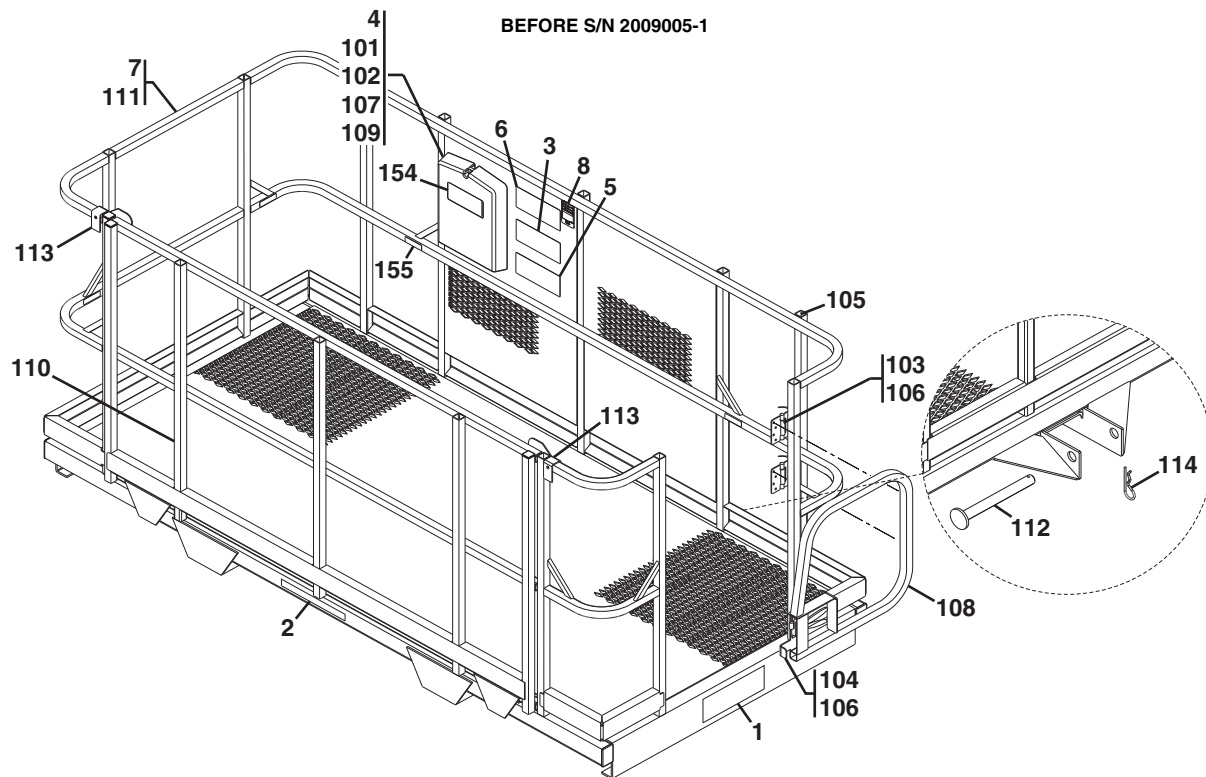
Figure 3-10 Forks

Item	Part Number	Qty.	Description	Rev.
	2340037	6	CUBING FORK, 48X2X2, 11,640 lbs	A
	7301408	2	PALLET FORK, 48X4X2.25	D
	2340045	2	PALLET FORK, 48X4X2.36, 10,950 lbs	A
	2340038	2	PALLET FORK, 48X5X2.36, 13,700 lbs	A
	7139747	2	BLOCKING FORK, 48X2X2	C
	2340039	2	DUAL TAPER FORK, 60X6X2.36, 16,300 lbs	A
	7139746	2	DUAL TAPER FORK, 60X7X1.75	C
	2340046	2	LUMBER FORK, 60X7X1.75, 10,800 lbs	A
	1001092391	2	DUAL TAPER FORK, 72X6X2, 11,300 lbs	A
	1001137512	2	90 IN FORK EXTENSION, (not shown), (includes items 1 thru 2)	A
1	70024306	1	PIN, (not shown)	
2	70024307	1	CLIP, (not shown)	
N1	Note	Ref	<b>FORKS RATED LESS THAN THE ATTACHMENT OR MACHINE'S CAPACITY DECREASES CAPACITY OF THE ATTACHMENT OR MACHINE TO THAT OF THE FORKS. FORKS RATED MORE THAN THE ATTACHMENT OR MACHINE'S CAPACITY DO NOT INCREASE ATTACHMENT OR MACHINE'S CAPACITY.</b>	
N2	Note	Ref	<b>PLEASE CONSULT JLG PARTS DEPARTMENT TO DETERMINE THE CORRECT FORKS APPLICABLE TO YOUR SPECIFIC CARRIAGE ASSEMBLY AND APPLICATION.</b>	



# ATTACHMENTS

## Figure 3-11 Fork Mounted Platform



PY6770

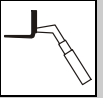
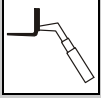


Figure 3-11 Fork Mounted Platform

Item	Part Number	Qty.	Description	Rev.
	1001092280	Ref	FORK MOUNTED PLATFORM, (Before S/N 2009005-1), (ASME), (no longer available, order 1001103637 for replacement or items 1 thru 8 for service)	E
	1001103637	1	FORK MOUNTED PLATFORM, (S/N 2009005-1 & After), (ASME), (includes items 1 thru 8)	B
	1001096306	Ref	FORK MOUNTED PLATFORM, (Before S/N 2009005-1), (ISO), (no longer available, order 1001103730 for replacement or items 1 thru 8 for service)	C
	1001103730	1	FORK MOUNTED PLATFORM, (S/N 2009005-1 & After), (ISO), (includes items 1 thru 8)	B
	1001097072	Ref	FORK MOUNTED PLATFORM, (Before S/N 2009005-1), (ASME - FRENCH), (no longer available, order 1001103736 for replacement or items 1 thru 8 for service)	C
	1001103736	1	FORK MOUNTED PLATFORM, (S/N 2009005-1 & After), (ASME - FRENCH), (includes 1 thru 8)	B
1	1702773	2	JLG DECAL	
2	1704885	1	WEBSITE DECAL	
3	1706892	1	PLATFORM WARNING DECAL, (ASME)	
	1001096025	1	PLATFORM WARNING DECAL, (ISO)	
	1001096024	1	PLATFORM WARNING DECAL, (ASME - FRENCH)	
4	31200160	1	OPERATION & SAFETY MANUAL, (ASME)	
	31200387	1	OPERATION & SAFETY MANUAL, (ISO - SPANISH)	
	31200388	1	OPERATION & SAFETY MANUAL, (ISO - PORTUGUESE)	
	31200336	1	OPERATION & SAFETY MANUAL, (ASME - FRENCH)	
5	1001092481	1	WARNING DECAL, (ASME)	
	1001096021	1	WARNING DECAL, (ISO)	
	1001096019	1	WARNING DECAL, (ASME - FRENCH)	
6	1001092482	1	CAPACITY DECAL, (ASME)	
	1001096023	1	CAPACITY DECAL, (ISO)	
	1001096020	1	CAPACITY DECAL, (ASME - FRENCH)	
7	NSS	1	FORK MOUNTED PLATFORM, (Before S/N 2009005-1), (includes items 101 thru 114, 154 & 155)	B
	NSS	1	FORK MOUNTED PLATFORM, (S/N 2009005-1 & After), (includes items 101, 103 thru 106, 108, 110, 111, 154, 155, 201 thru 218)	H
8	NSS	1	S/N PLATE	
101	0860520	1	MANUAL STORAGE BOX	
102	2080044	4	RIVNUT FASTENER 1/4-20	
103	2600281	2	HINGE	
104	2940074	1	LATCH	
105	3520198	21	PLUG, (Before S/N 2009005-1)	
	3520072	10	PLUG, (S/N 2009005-1 & After)	
106	3820020	20	POP RIVET, (Before S/N 2009005-1)	
	3820020	4	POP RIVET, (S/N 2009005-1 & After)	
107	4751400	4	WASHER, 1/4	
108	4846452	1	GATE WELDMENT	
109	80263012	4	SCREW WHIZ-LOCK 1/4-20 X 1/2	
110	1001093140	1	GATE WELDMENT, (Before S/N 2009005-1)	
	1001095810	1	GATE WELDMENT, (S/N 2009005-1 & After)	
111	NSS	1	PLATFORM WELDMENT	
112	1001093171	2	PIN	
113	1001097168	2	PIN, SAFETY SNAP, WITH LANYARD	
114	1001098582	2	LYNCH PIN 3/16 WITH LANYARD	



## ATTACHMENTS

**Figure 3-11 Fork Mounted Platform (Continued)**

Item	Part Number	Qty.	Description	Rev.
154	1701509	1	MANUAL DECAL	
155	1704277	3	LANYARD ATTACH DECAL	
201	0641405	4	HEX HD CAPSCREW, 1/4-20X5/8	
203	1060379	2	6 IN LANYARD CABLE	
206	2080040	16	FASTENER	
209	3311405	4	HEX NUT, 1/4-20	
210	3421453	2	PIN	
212	3760170	4	RING	
214	4711400	8	WASHER, 1/4	
218	1001102813	2	HITCH PIN	

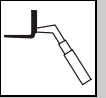


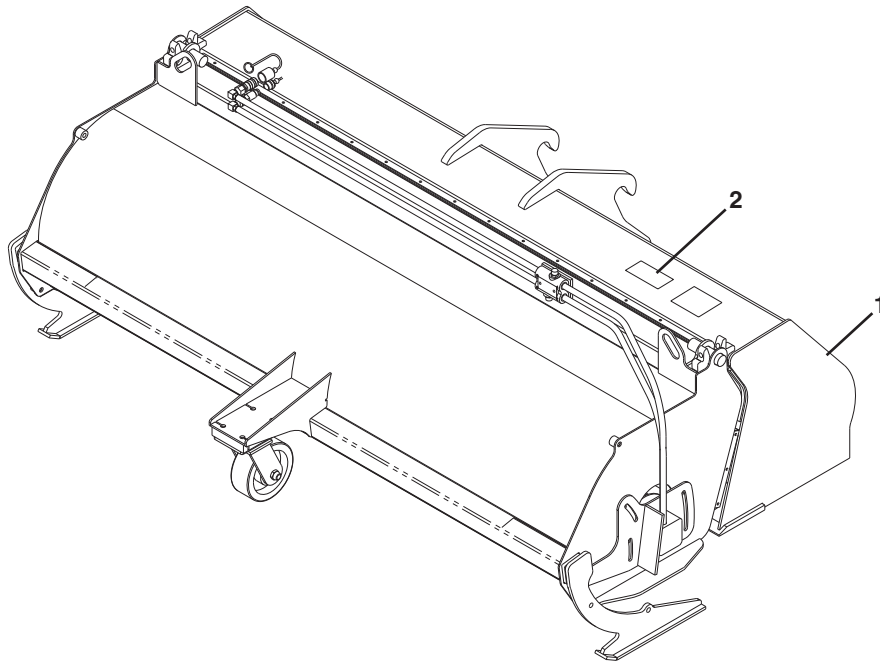
Figure 3-11 Fork Mounted Platform (Continued)

Item	Part Number	Qty.	Description	Rev.

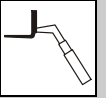


## ATTACHMENTS

Figure 3-12 Sweeper Assembly



PH4770

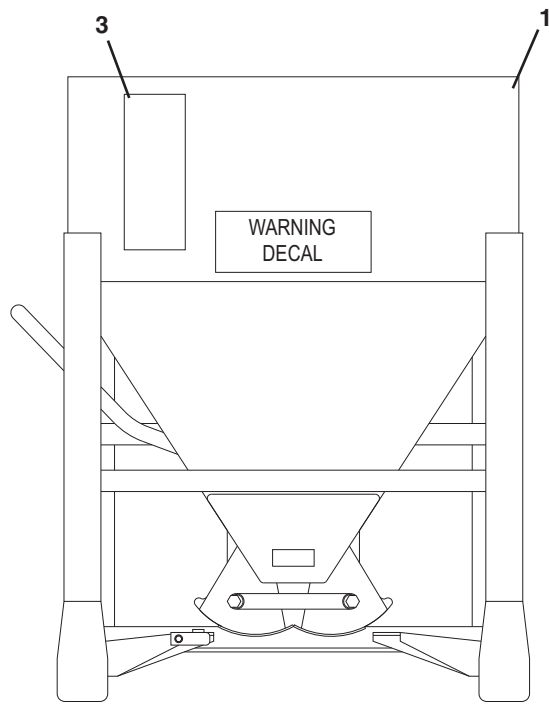
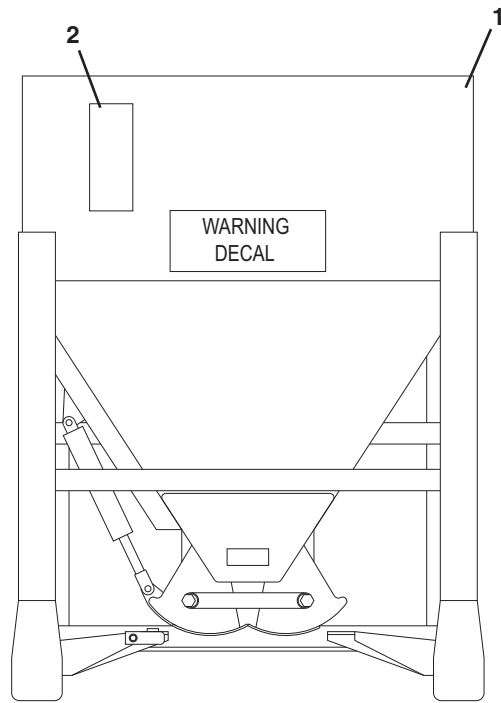
**Figure 3-12 Sweeper Assembly**

Item	Part Number	Qty.	Description	Rev.
	7301180	1	SWEEPER ASSY, (includes all items)	B
1	7301718	1	24 IN SWEEPER WITH BUCKET	
2	NSS	1	S/N PLATE	
4	4110461	1	WARNING DECAL, (not shown)	



## ATTACHMENTS

Figure 3-13 Concrete Bucket



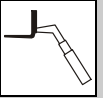


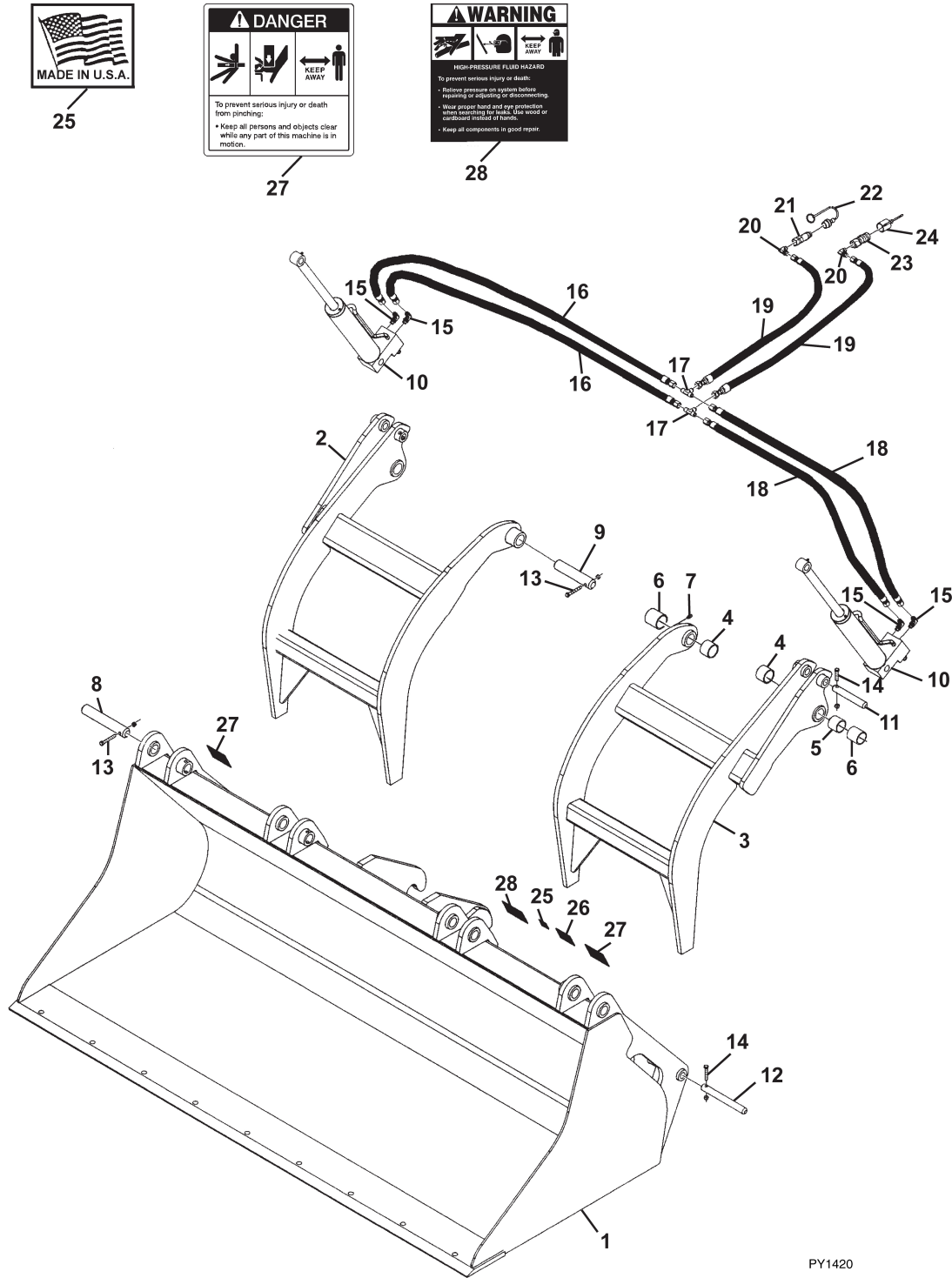
Figure 3-13 Concrete Bucket

Item	Part Number	Qty.	Description	Rev.
1	8866442	1	CONCRETE BUCKET, 1/2 YD <sup>3</sup> , HYDRAULIC, (includes item 2)	B
	8866444	1	CONCRETE BUCKET, 1/2 YD <sup>3</sup> , MANUAL, (includes item 3)	B
2	NSS	1	S/N PLATE	
3	NSS	1	S/N PLATE	
4	8866446	1	4 IN DISCHARGE HOSE, (not shown)	
	8866561	1	4 IN DISCHARGE HOSE WITH GATE, (not shown)	
5	8866464	1	6 IN DISCHARGE HOSE, (not shown)	
6	8866560	1	8 IN DISCHARGE HOSE, (not shown)	
7	8866445	1	RUBBER SIDE DISCHARGE CHUTE, (not shown)	



# ATTACHMENTS

## Figure 3-14 Grapple Bucket



PY1420

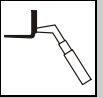


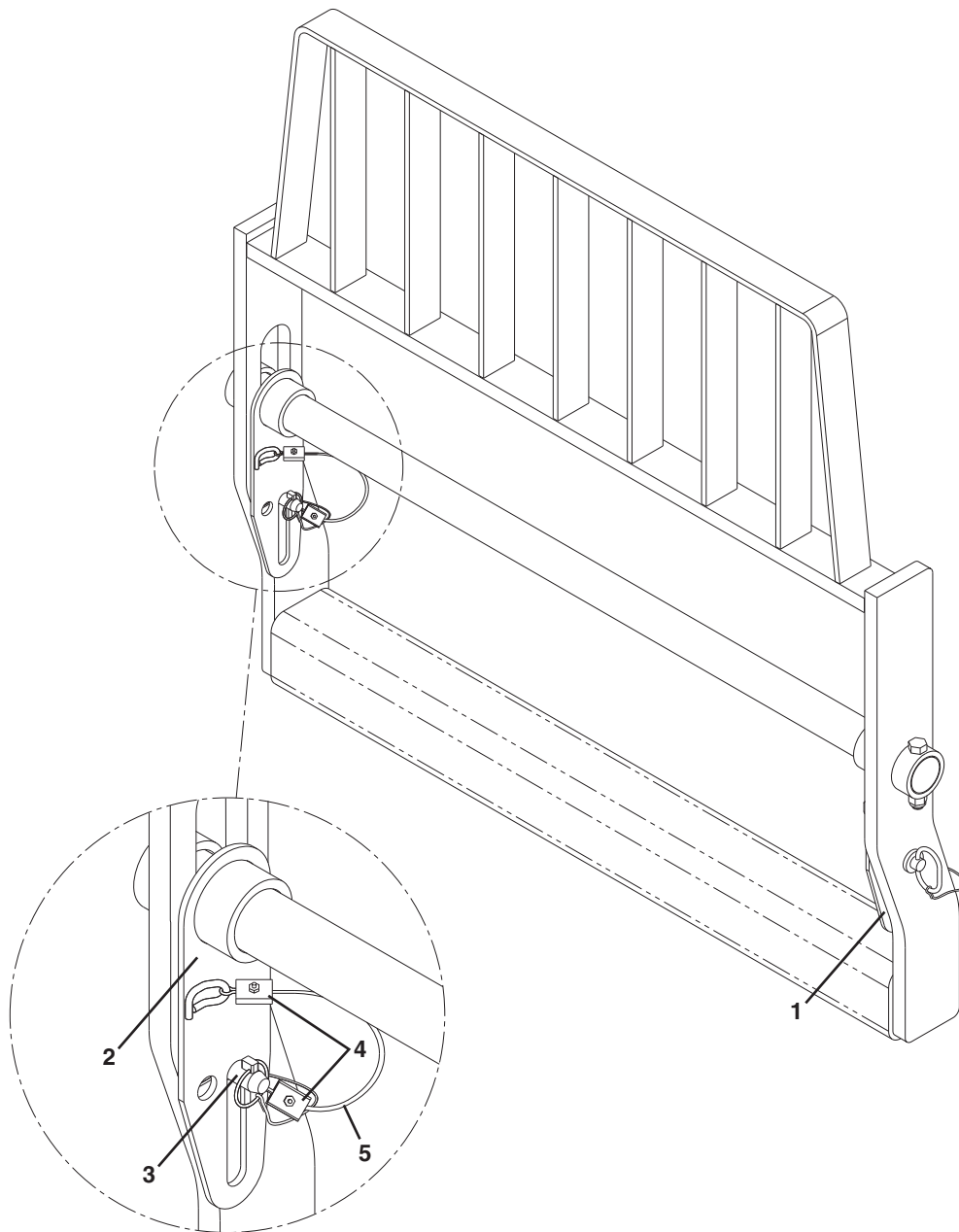
Figure 3-14 Grapple Bucket

Item	Part Number	Qty.	Description	Rev.
	0930020	1	GRAPPLE BUCKET, (includes all items)	G
1	NSS	1	BUCKET	
	70021387	4	HOSE CLAMP	
2	70021391	1	RIGHT GRAPPLE HOOK	
3	70021392	1	LEFT GRAPPLE HOOK	
4	70021358	4	BUSHING	
5	70021359	2	SPACER	
6	70021360	4	BUSHING	
7	7029714	4	GREASE FITTING	
8	70021361	2	OUTER PIVOT PIN	
9	70021362	2	INNER PIVOT PIN	
10		Ref	CYLINDER ASSY, (see Figure 9-10 for details)	
11	70021364	2	PIN	
12	70021365	2	PIN	
13	70021366	4	HEX HD CAPSCREW, 3/8X2.75	
	70021367	4	LOCK NUT, 3/8	
14	70021399	4	HEX HD CAPSCREW, 3/8X2.25	
	70021367	4	LOCK NUT, 3/8	
15	90554065	4	ELBOW, 90 DEGREES	
16	70021980	2	HOSE ASSY, 3/8X73 IN	
17	70020562	2	FITTING, TEE	
18	70021981	2	HOSE ASSY, 3/8X46 IN	
19	70021982	2	HOSE ASSY, 3/8X34 IN	
20	70022527	2	ELBOW, 90 DEGREES	
21	7029692	1	MALE QUICK COUPLER	
22	90554062	1	DUST COVER	
23	70021342	1	FEMALE QUICK COUPLER	
24	90554076	1	DUST COVER	
25	90554016	1	MADE IN USA DECAL	
26	NSS	1	S/N PLATE	
27	90554017	2	DANGER PINCH POINT DECAL	
28	90554018	1	WARNING HIGH PRESSURE DECAL	

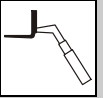


## ATTACHMENTS

Figure 3-15 Fork Pin Lock Installation



PY1650

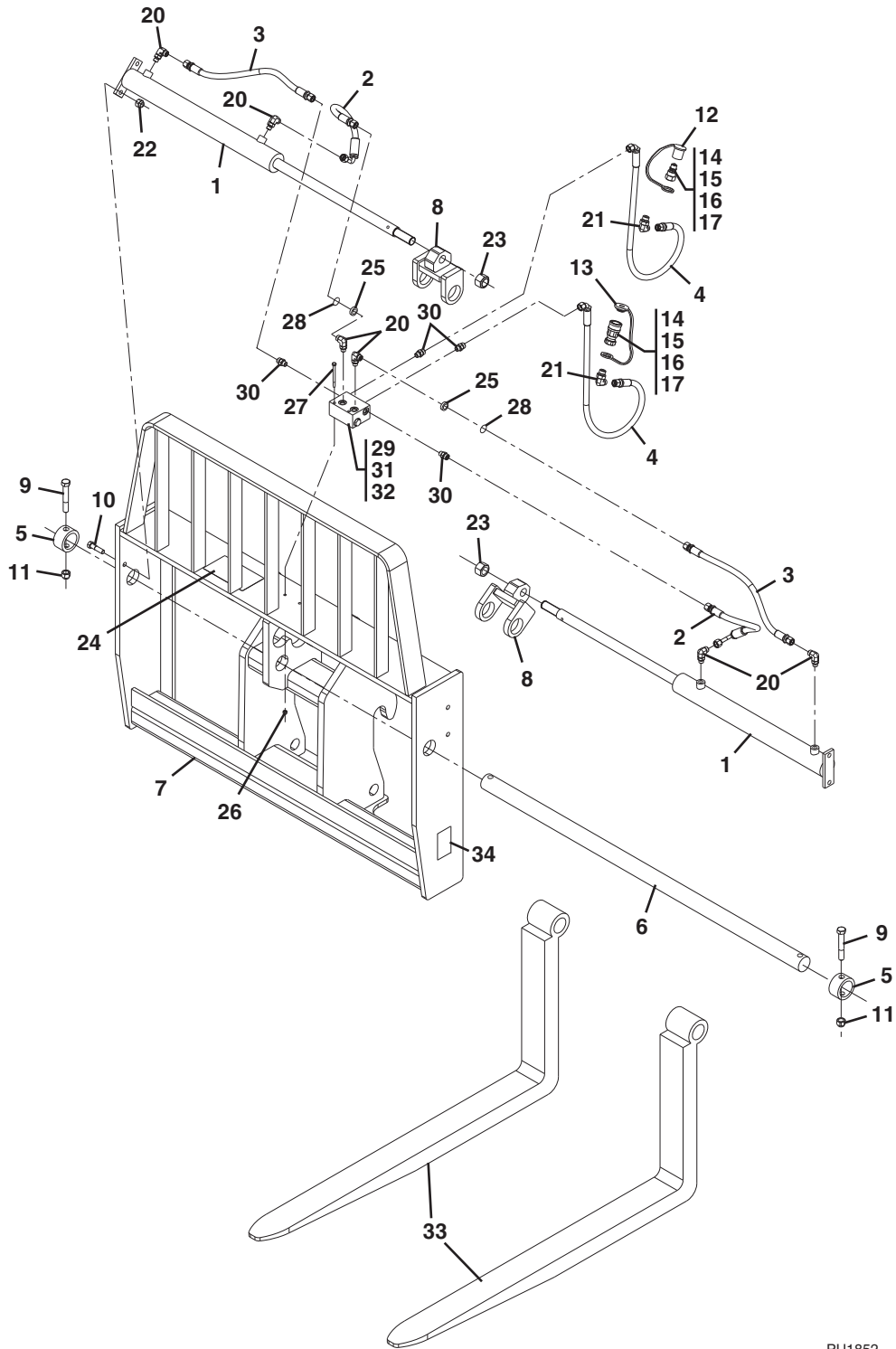
**Figure 3-15 Fork Pin Lock Installation**

Item	Part Number	Qty.	Description	Rev.
	1001093465	1	FORK PIN LOCK INSTALLATION (includes all items)	B
1	0240156	1	FORK PIN LOCK, LH	
2	1001093273	1	FORK PIN LOCK, RH	
3	1001093377	2	HITCH PIN	
4	1001094830	4	CLAMP	
5	1001094330	2	LANYARD	



# ATTACHMENTS

## Figure 3-16 Dual Fork Positioning Carriage Assembly



PU1852

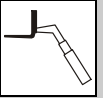


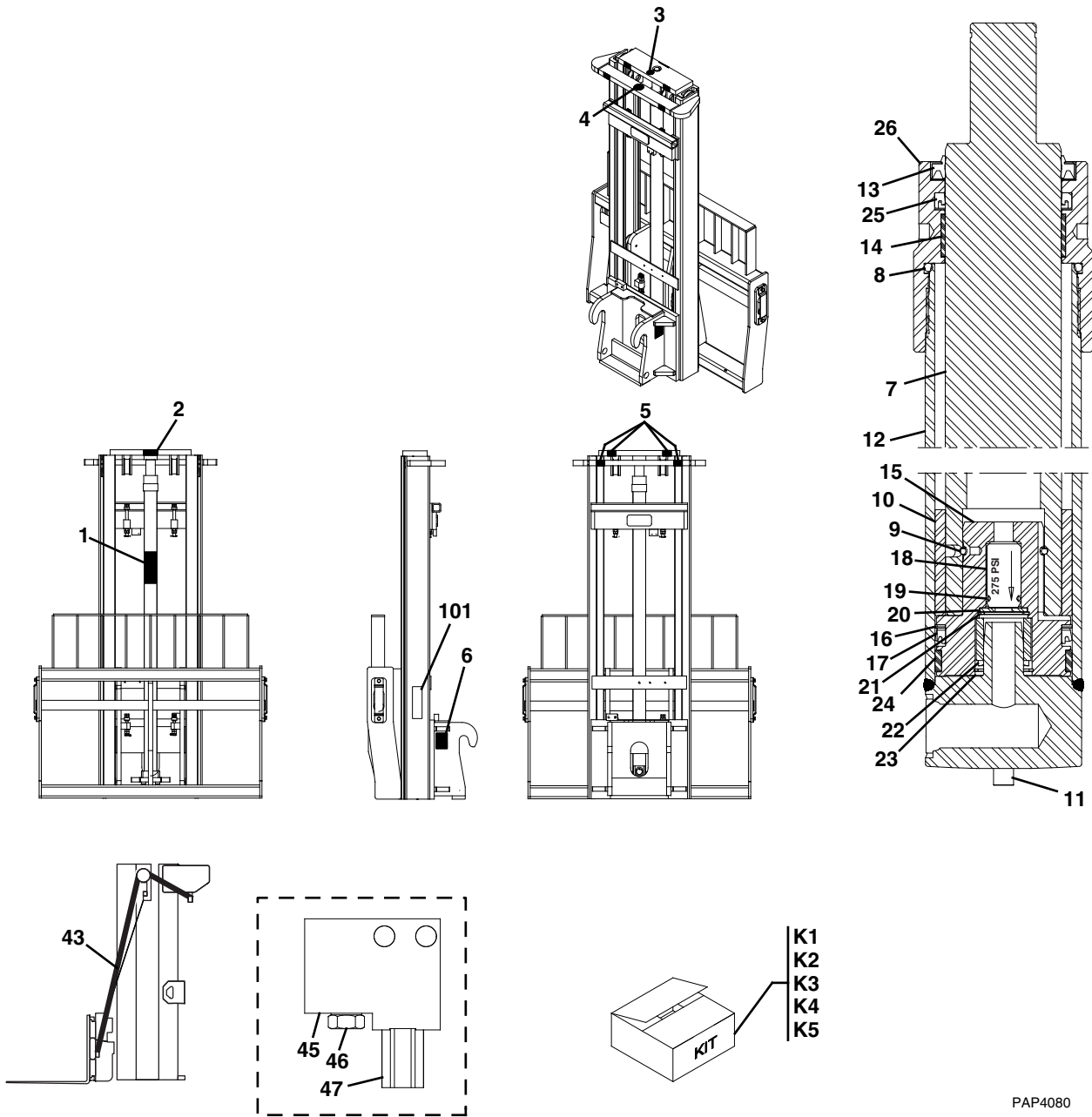
Figure 3-16 Dual Fork Positioning Carriage Assembly

Item	Part Number	Qty.	Description	Rev.
	7301295	1	50 IN DUAL FORK POSITIONING CARRIAGE ASSY, (includes all items)	D
	7301568	1	50 IN DUAL FORK POSITIONING CARRIAGE ASSY, (includes items 1 thru 32)	G
1	2717283	2	FORK POSITIONING CYLINDER	
	8036733	1	SEAL KIT	
2	2717160	1	HOSE ASSY	
3	2717161	1	HOSE ASSY	
4	2717162	1	HOSE ASSY	
5	90200003	2	LOCKING HUB	
6	90451058	1	FORK SHAFT	
7	7301569	1	50 IN CARRIAGE WELDMENT	
8	7301579	2	FORK ADAPTER WELDMENT	
9	8303634	2	HEX HD CAPSCREW, 5/8-11X4, GR5	
10	8303658	4	HEX HD CAPSCREW, 1/2-13X2, GR5	
11	8305643	2	HEX LOCKNUT, 5/8-11	
12	91043126	1	DUST CAP	
13	91043125	1	DUST PLUG	
14	91403413	1	FEMALE QUICK DISCONNECT, (includes items 15 thru 17)	
15	8640029	1	NOSE SEAL	
16	8640028	1	COUPLER BODY SEAL	
17	8640032	1	COUPLER BODY SEAL BACK UP RING	
18	91403414	1	MALE QUICK DISCONNECT, (includes item 19)	
19	8640029	1	NOSE SEAL	
20	2130606	4	ELBOW, 90 DEGREES	
21	2130608	2	ELBOW, 90 DEGREES	
22	8310302	4	HEX LOCKNUT, 1/2-13	
23	10705034	2	HEX LOCKNUT	
24	4110473	1	HOSE ROUTE WARNING DECAL	
25	7139918	2	DISC ORIFICE	
26	8305624	2	HEX LOCKNUT, 1/4-20	
27	8310435	2	HEX HD CAPSCREW, 1/4-20X3-1/4, GR5	
28	8630003	2	O-RING	
29	4641502	1	VALVE ASSY, (includes items 30 thru 32)	
30	2110606	4	ADAPTER	
31	4641501	1	VALVE BODY	
32	2130606	2	CONNECTOR	
33	7301408	2	PALLET FORK, 60X100X1220mm	
34	NSS	1	S/N PLATE	



# ATTACHMENTS

Figure 3-17 8 Ft Standard Mast



PAP4080

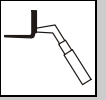
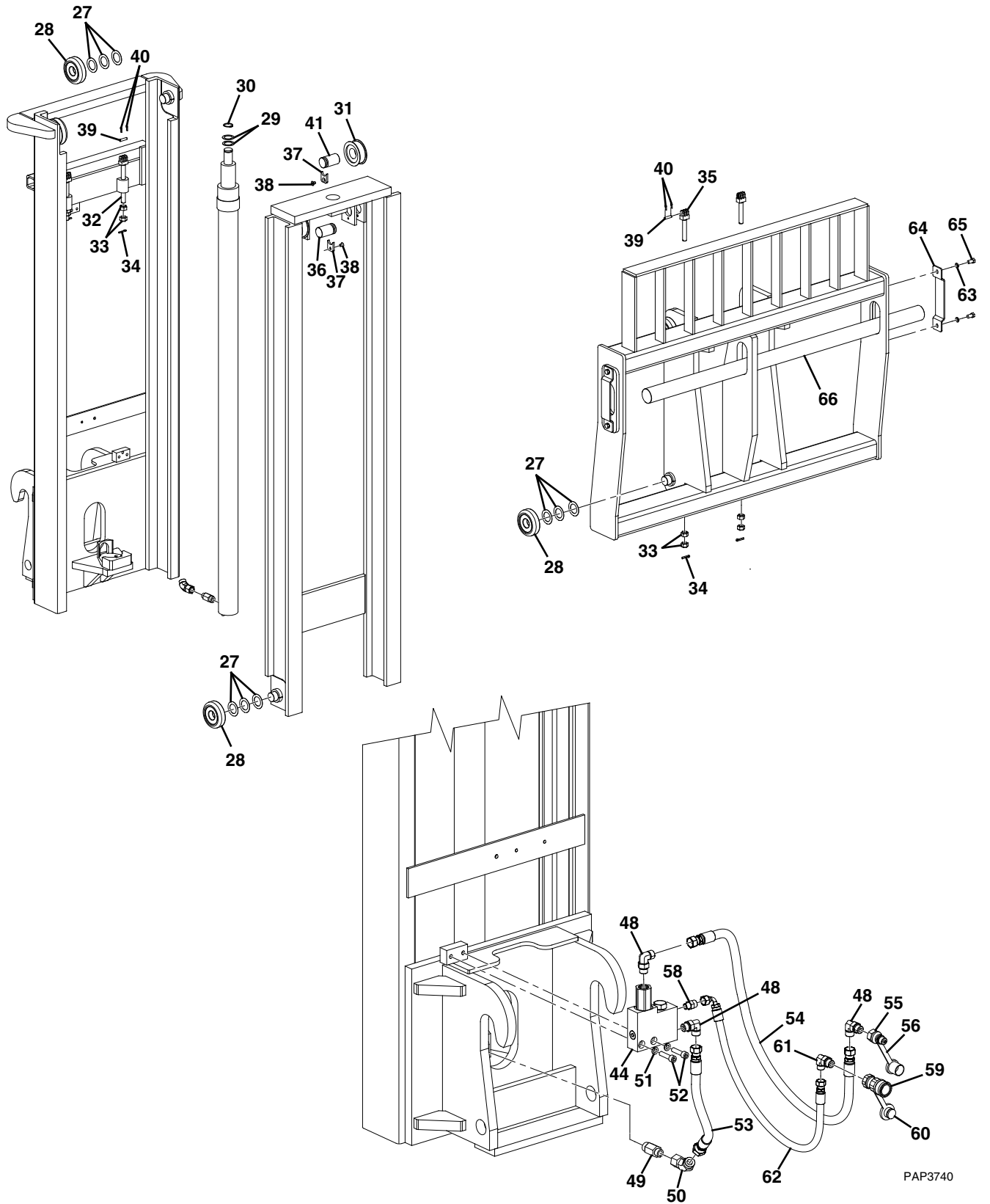
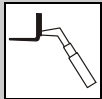


Figure 3-17 8 Ft Standard Mast (Continued)



PAP3740



## ATTACHMENTS

Figure 3-17 8 Ft Standard Mast

Item	Part Number	Qty.	Description	Rev.
	1001108668	1	8 FT STANDARD MAST, (includes all items)	B
1	Use Kit K1	1	WARNING DECAL	
2	Use Kit K1	1	WARNING DECAL	
3	Use Kit K1	1	NO STEP DECAL	
4	Use Kit K1	1	NO STEP DECAL	
5	Use Kit K1	4	HANDS OFF DECAL	
6	1001111190	2	HOSE ROUTING	
	70023008	1	MAIN LIFT CYLINDER	
7	NSS	1	ROD/PLUNGER	
8	Use Kit K2	1	O-RING	
9	Use Kit K2	1	PULL WIRE	
10	NSS	1	SPACER	
11	NSS	2	ROLL PIN	
12	NSS	1	BARREL	
13	Use Kit K2	1	WIPER	
14	Use Kit K2	1	BUSHING	
15	NSS	1	PISTON	
16	Use Kit K2	1	NYLON RING	
17	Use Kit K2	1	PISTON SEAL	
18	Use Kit K3	1	CHECK VALVE	
19	Use Kit K2 or K3	1	O-RING	
20	Use Kit K3	1	WASHER	
21	Use Kit K2 or K3	1	CIRCLIP	
22	NSS	1	SLEEVE	
23	Use Kit K2 or K3	1	RETAINING RING	
24	Use Kit K2	1	WEAR RING	
25	Use Kit K2	1	ROD SEAL	
26	70023004	1	RETAINER/GLAND	
27	70023014	24	SHIM	
28	70022987	8	BALL BEARING	
29	Use Kit K5	2	WASHER SHIM	
30	70023016	1	SNAP RING	
31	70022969	2	SHEAVE ASSY	
32	70022960	2	CHAIN ANCHOR	
33	70022957	8	NUT, 0.625-18UNF	
34	70022993	4	COTTER PIN	
35	70022995	2	CHAIN ANCHOR	
36	70022984	1	SHEAVE SHAFT	
37	70022970	2	RETAINER BAR	
38	70023003	2	FLAT HD CAPSCREW	
39	70022994	4	CHAIN ANCHOR PIN	
40	70022992	8	COTTER PIN	
41	70022985	1	SHEAVE SHAFT	
43	70023009	2	LIFT CHAIN	
44	70022932	1	PO CHECK VALVE ASSY, (includes items 45, 46 & 47)	
45	NSS	1	MANIFOLD	
46	70022931	1	PO CHECK VALVE CARTRIDGE	
47	70023010	1	P.O. CHECK	
48	70022934	3	FITTING, 90 DEGREE	

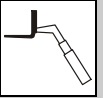
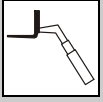


Figure 3-17 8 Ft Standard Mast (Continued)

Item	Part Number	Qty.	Description	Rev.
49	70022936	1	FLOW LIMITER	
50	70022937	1	FITTING, 45 DEGREE	
51	70022949	2	LOCKWASHER, M10	
52	70022950	2	HEX SOCKET CAPSCREW	
53	70022942	1	HOSE ASSY	
54	70022952	1	HOSE ASSY	
55	91403414	1	MALE QUICK DISCONNECT COUPLING	
56	91043126	1	DUST CAP	
58	70022939	1	STRAIGHT FITTING, #6	
59	91403413	1	FEMALE QUICK DISCONNECT COUPLING	
60	91043125	1	DUST PLUG	
61	70022935	1	ELBOW, STRAIGHT THREAD	
62	70022946	1	HOSE ASSY	
63	70022949	4	LOCKWASHER, M10	
64	70022980	2	FORK PIN KEEPER	
65	70022998	4	CAPSCREW, M10X20 LG	
66	70022990	1	FORK PIN	
101	NSS	1	S/N PLATE	
K1	70023925	1	DECAL KIT, (includes items 1 thru 6)	
K2	70023005	1	SEAL KIT, MAIN LIFT CYLINDER, (includes items 8, 9, 13, 14, 16, 17, 19, 21, 23, 24 & 25)	
K3	70023006	1	CHECK VALVE KIT, (includes items 18, 19, 20, 21 & 23)	
K4	70023007	1	SHIM KIT	
K5	70023015	1	MAST COMMON PARTS KIT, (includes items 27 thru 41)	



## ATTACHMENTS

**This Page Intentionally Left Blank**

# **SECTION 4**

## **ENGINE & ATTACHING PARTS**

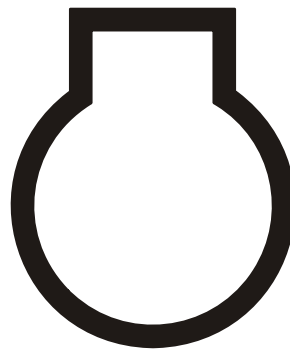
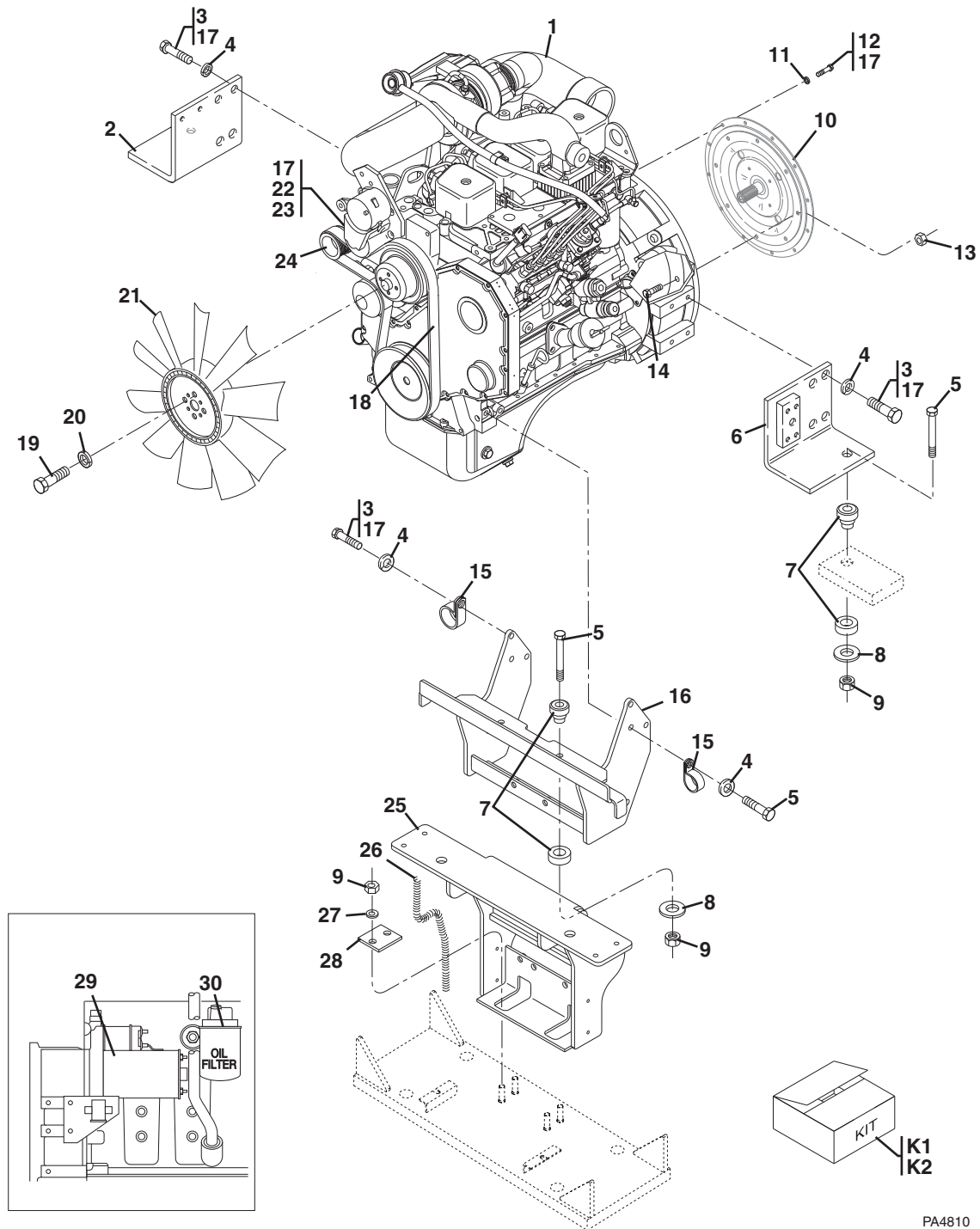




Figure 4-1 Engine Mounting



PA4810



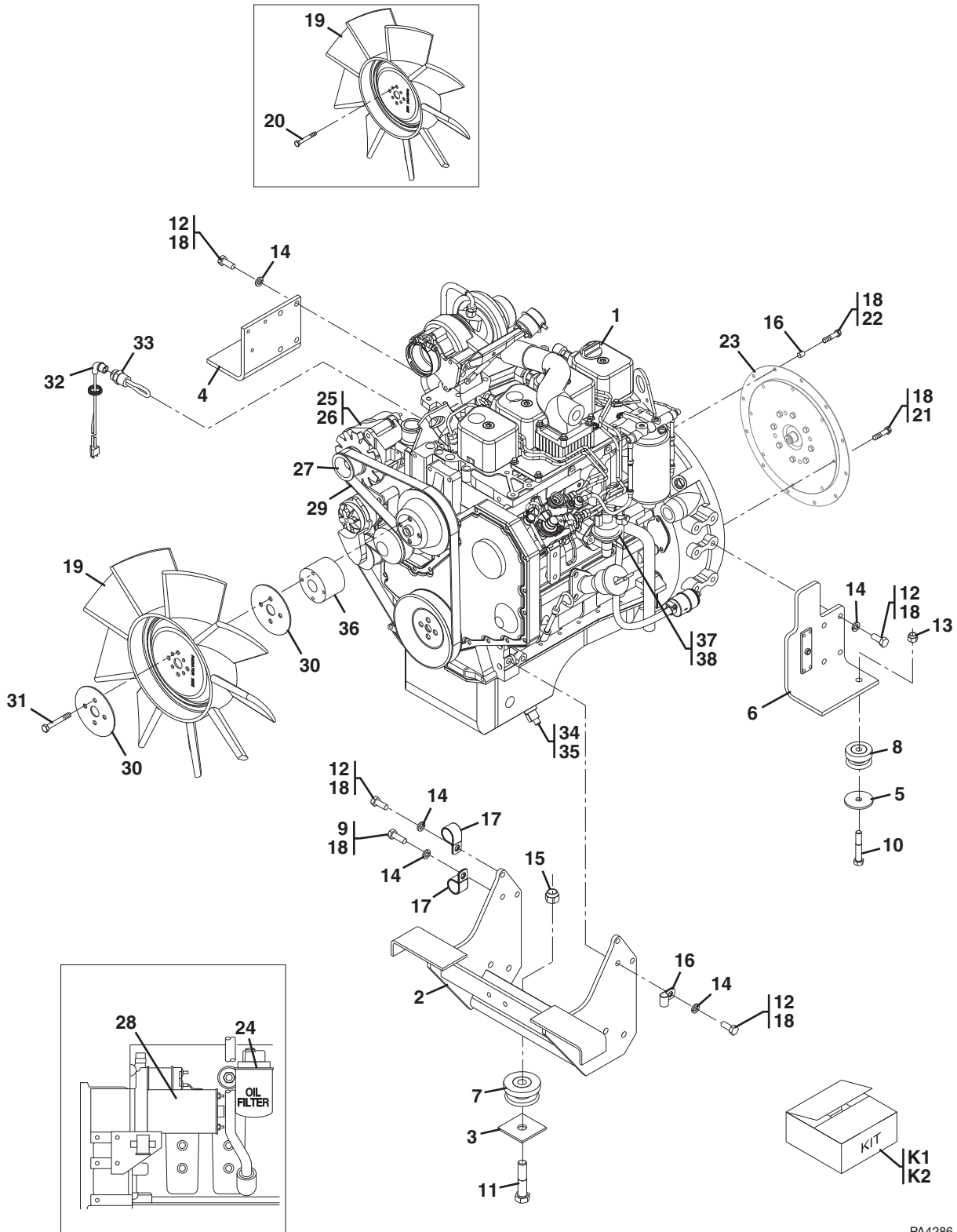
Figure 4-1 Engine Mounting

Item	Part Number	Qty.	Description	Rev.
1	8262166	1	CUMMINS ENGINE, 4BT 3.9 TURBO	AB
2	7095272	1	LH ENGINE MOUNT	
3	8303790	11	HEX HD CAPSCREW, M12X1.75X30mm	
4	8307025	9	LOCKWASHER, M12	
5	8310290	4	HEX HD CAPSCREW, 1/2-13X3-1/2, GR8	
6	7138881	1	RH ENGINE MOUNT	
7	8278032	4	ENGINE ISOLATOR	
8	7095831	4	REBOUND WASHER	
9	8305644	8	HEX LOCKNUT, 1/2-13	
10		Ref	ISOLATION COUPLER ASSY, (see Figure 4-6 for details)	
11	8307023	12	LOCKWASHER, M10, (S/N 17019 thru S/N 19796)	
12	8303784	12	HEX HD CAPSCREW, M10X1.5X20mm	
13	8305645	8	HEX LOCKNUT, 3/8-16, (S/N 17019 thru S/N 19796)	
	8305630	8	HEX LOCKNUT, M10X1.50, (S/N 19797 thru 19897 & 0160002408 thru 0160004109)	
14	8303679	8	HEX HD CAPSCREW, 3/8-16X1-3/4, GR5, (S/N 17019 thru S/N 19798)	
	8310747	8	HEX HD CAPSCREW, M10X1.5X70mm, (S/N 19797 thru 19897 & 0160002408 thru 0160004109)	
15	8406302	2	HOSE CLAMP, 1-1/4 DIA	
16	7139587	1	ENGINE MOUNT	
17	0100011	AR	LOCTITE® 242™, (apply to items 3, 12 & 22)	
18	8080613	1	ENGINE FAN BELT	
19	8303528	4	HEX HD CAPSCREW, M8X1.25X90mm	
20	8307222	4	FLAT WASHER, M8	
21	8272017	1	FAN	
22	8270221	1	ALTERNATOR	
23	8270220	1	ALTERNATOR FAN	
24	80974028	1	ALTERNATOR PULLEY	
25	7139591	1	ENGINE/RADIATOR MOUNT	
26	7124331	AR	CONDUIT, 1/2 DIA, (60 in cut to fit)	
27	8307112	4	PLAIN WASHER, 1/2	
28	7139595	2	ENGINE HOLD DOWN PLATE	
29	8033340	1	12V STARTER, (includes solenoid)	
30	8320262	1	ENGINE OIL FILTER	
K1	7138290	1	250 HOUR FILTER KIT, (includes 3 filters: engine oil & both fuel filters)	
K2	8024016	1	1000 HOUR FILTER KIT, (includes 6 filters: engine oil filter, both fuel filters, primary air filter, transmission oil filter & hydraulic oil filter)	



Figure 4-1 Engine Mounting

S/N 0160004111 THRU 0160012082



PA4286

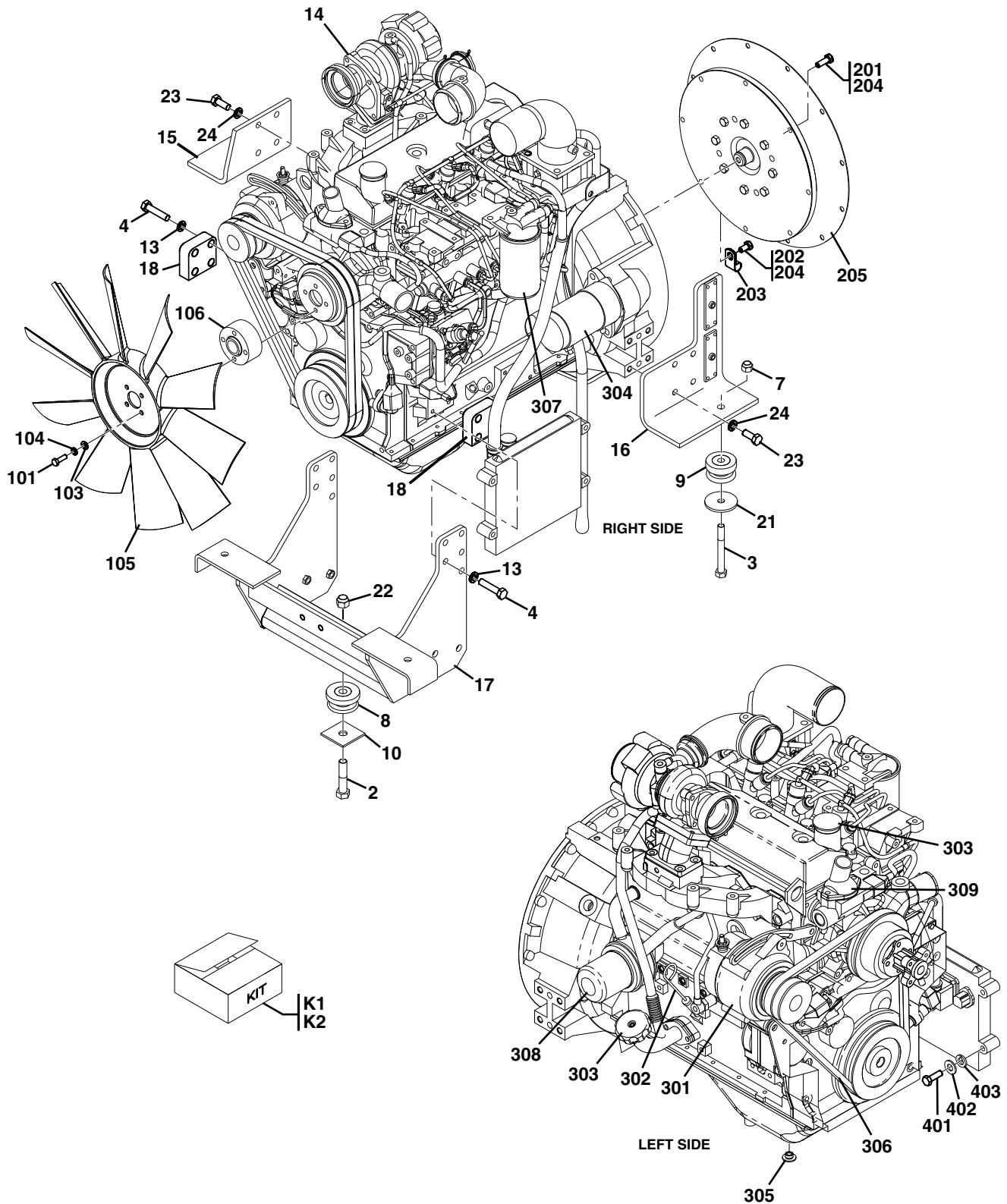


Figure 4-1 Engine Mounting

Item	Part Number	Qty.	Description	Rev.
1	2000218	1	CUMMINS ENGINE, 99HP, TIER 2	C
2	4340809	1	ENGINE MOUNT	
3	7054351	1	LORD MOUNT WASHER	
4	7095272	1	L.H. ENGINE MOUNT	
5	7095831	2	REBOUND WASHER	
6	4341004	1	R.H. ENGINE MOUNT	
7	8278007	1	RUBBER MOUNT	
8	8278012	2	CENTER BONDED MOUNT	
9	0701215	1	HEX HD CAPSCREW, M12X1.75X35mm, PC8.8	
10	8303702	2	HEX HD CAPSCREW, 1/2-13X3, GR5	
11	8303724	1	HEX HD CAPSCREW, 3/4-10X3-1/2, GR5	
12	0701214	13	HEX HD CAPSCREW, M12X1.75X30mm, PC8.8	
13	8305644	2	HEX LOCKNUT, 1/2-13	
14	8307025	14	LOCKWASHER, M12	
15	8310067	1	HEX LOCKNUT, 3/4-10	
16	8406105	4	CLIP TUBE, 3/4	
17	8406302	2	HOSE CLAMP	
18	0100011	AR	LOCTITE® 242™, (apply to items 9, 12 & 22)	
19	8272027	1	FAN, 9-BLADE, 21 IN	
20	8310705	Ref	HEX HD CAPSCREW, M10X1.5X75mm, PC8.8, (S/N 0160004111 thru S/N 0160012082), (no longer available, use items 30 & 31 for replacement)	
21	8303755	8	HEX HD CAPSCREW, M10X1.5X30mm, PC8.8	
22	8303784	12	HEX HD CAPSCREW, M10X1.5X20mm, PC8.8	
23		Ref	ISOLATION COUPLER ASSY, (see Figure 4-6 for details)	
24	8320275	1	ENGINE OIL FILTER	
25	7029268	Ref	ALTERNATOR, (S/N 0160004111 thru 0160014862), (no longer available, use the following Kit 2915170 & Alternator 7029525 for replacement)	
	2915170	1	ALTERNATOR SERVICE KIT	
	7029525	1	ALTERNATOR, (S/N 0160014880 thru 0160039074)	
26	7029269	1	ALTERNATOR FAN, (S/N 0160004111 thru 0160014862)	
27	80974028	1	ALTERNATOR PULLEY	
28	7026666	1	STARTER	
29	7029270	1	ENGINE FAN BELT	
30	3575947	2	FAN HUB PLATE, (S/N 0160012138 thru 0160039074)	
31	8310354	4	HEX HD CAPSCREW, M10-1.5X80mm, PC8.8, (S/N 0160012138 thru 0160039074)	
32	7029829	1	COOLANT HEATER CABLE	
33	7029830	1	COOLANT HEATER	
34	70020210	1	OIL CONTROL VALVE	
35	70020211	1	SEALING WASHER	
36	7028783	1	FAN SPACER	
37	7029991	1	TRANSFER FUEL PUMP	
38	1321797	1	COVER PLATE GASKET, TRANSFER FUEL PUMP	
K1	2915034	1	250 HOUR FILTER KIT, (includes 5 filters: engine oil, both fuel filters & primary air filter, safety air filter,)	
K2	2915036	1	1000 HOUR FILTER KIT, (includes 8 filters: engine oil filter, both fuel filters, primary air filter, safety air filter, transmission oil filter, hydraulic oil filter & filler breather)	



Figure 4-1 Engine Mounting



PAP9331



Figure 4-1 Engine Mounting

Item	Part Number	Qty.	Description	Rev.
	1001096428	1	ENGINE ASSY, (includes items 2 thru 24)	G
2	0682228	1	HEX HD CAPSCREW, 3/4-10X3-1/2, GR8, (torque to 340 lb-ft)	
3	0681826	2	HEX HD CAPSCREW, 1/2-13X3-1/4, GR8, (torque to 95 lb-ft)	
4	0711019	8	HEX HD CAPSCREW, 10X55mm, GR10.9, (torque to 80-88 lb-ft)	
7	8305644	2	HEX LOCKNUT, 1/2-13	
8	8278007	1	ENGINE MOUNT	
9	8278012	2	ENGINE MOUNT	
10	7054351	1	WASHER	
13	4832000	8	SPRING LOCKWASHER, 10mm	
14	1001095710	1	CUMMINS ENGINE, 99HP, TIER III, (includes items 301 thru 309)	F
15	1001096459	1	LH ENGINE MOUNT	
16	1001096462	1	RH ENGINE MOUNT	
17	1001096479	1	REAR ENGINE BRACKET	
18	1001097566	2	ENGINE MOUNT SPACER	
20	0100011	AR	LOCTITE® 242™	
21	7095831	2	WASHER	
22	8310067	1	HEX LOCKNUT, 3/4-10	
23	8303790	8	HEX HD CAPSCREW, M12X30mm	
24	4832100	8	SPRING LOCKWASHER	
	1001129749	1	ENGINE FAN ASSY, (includes items 101 thru 106)	A
101	0710819	4	HEX HD CAPSCREW, 8X25mm, GR8.8	
103	4811900	4	WASHER, 8mm	
104	4831900	4	SPRING LOCKWASHER, 8mm	
105	1001098559	1	FAN	
106	1001128058	1	FAN SPACER	
	7301500	1	COUPLER INSTALL, (includes items 201 thru 205)	AA
201	8303755	8	HEX HD CAPSCREW, 10X1.5X30mm, GR8.8, (torque to 54-61 Nm)	
202	8303784	12	HEX HD CAPSCREW, 10X1.5X20mm, GR8.8, (torque to 54-61 Nm)	
203	8406105	1	TUBE CLIP	
204	8526007	AR	THREAD LOCK	
205		Ref	COUPLER, (see Figure 4-6 for details)	
301	70021849	1	ALTERNATOR	
302	70021854	1	DIPSTICK	
303	70022842	1	OIL CAP, UPPER	
	70022843	1	OIL CAP, LOWER	
304	70021850	1	STARTER	
305	70022844	1	OIL PAN PLUG	
	70022845	1	GASKET	
306	70021852	1	BELT	
307	70022846	1	FUEL FILTER, PRIMARY	
308	8036204	1	OIL FILTER	
309	70021847	1	THERMOSTAT KIT	
	70021848	1	GASKET	
	1001113422	Ref	ECM INSTALLATION MOUNT, (not available to order, see items 401 thru 403 for service)	B
401	0641514	3	HEX HD CAPSCREW, 5/16-18 x 1 3/4 LG	



## ENGINE & ATTACHING PARTS

S/N 0160039075 & After

**Figure 4-1 Engine Mounting (Continued)**

Item	Part Number	Qty.	Description	Rev.
402	4711500	3	FLAT WASHER	
403	4761500	6	LOCK WASHER	
K1	1001128968	1	250 HOUR FILTER KIT, (includes primary & secondary air filters, fuel strainer, fuel filter & oil filter)	
K2	1001128967		1000 HOUR FILTER KIT, (includes primary & secondary air filters, fuel strainer, fuel filter, oil filter, transmission filter, hydraulic oil filter& breather)	



Figure 4-1 Engine Mounting (Continued)

Item	Part Number	Qty.	Description	Rev.



Figure 4-2 Fuel System

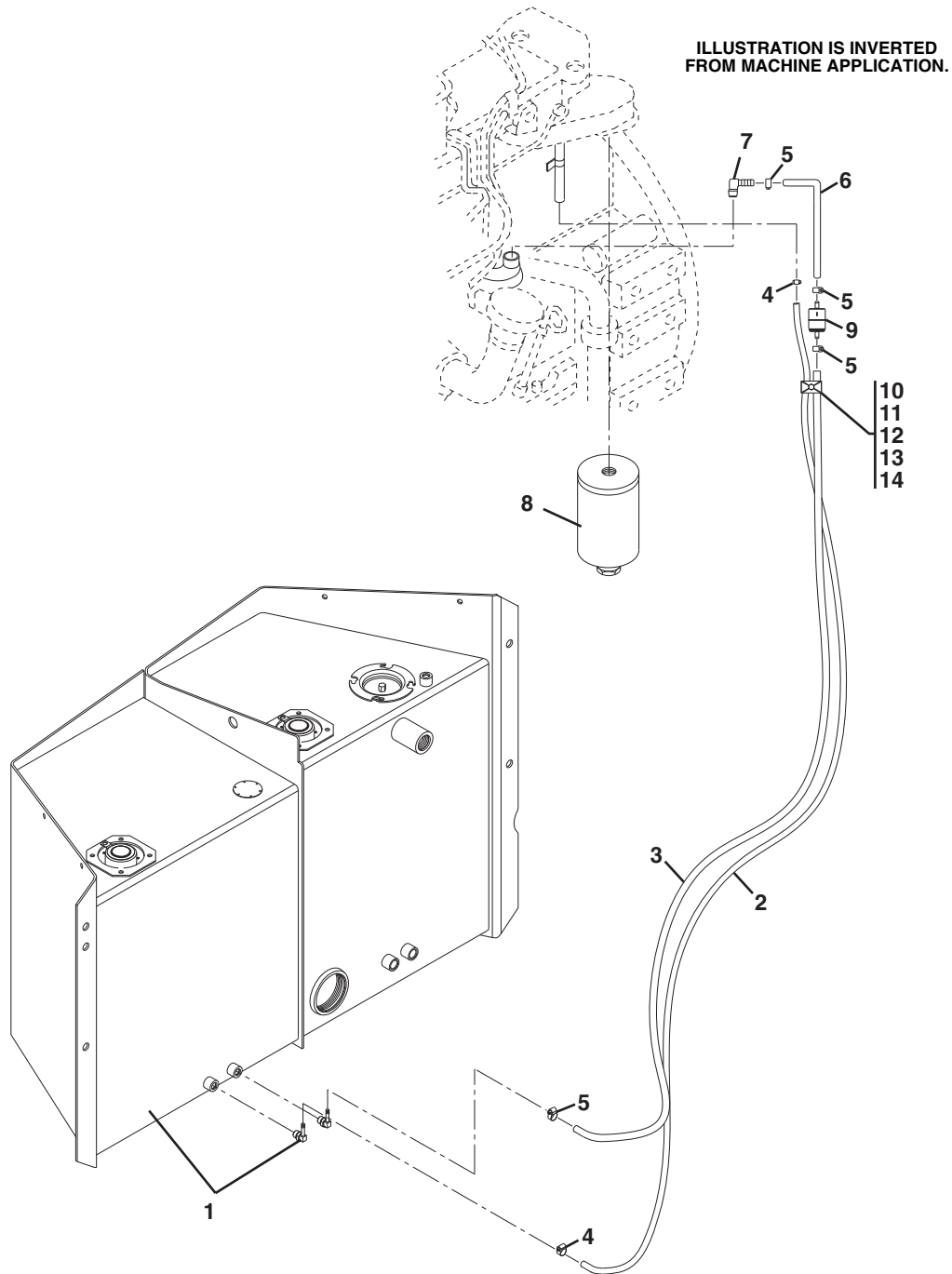


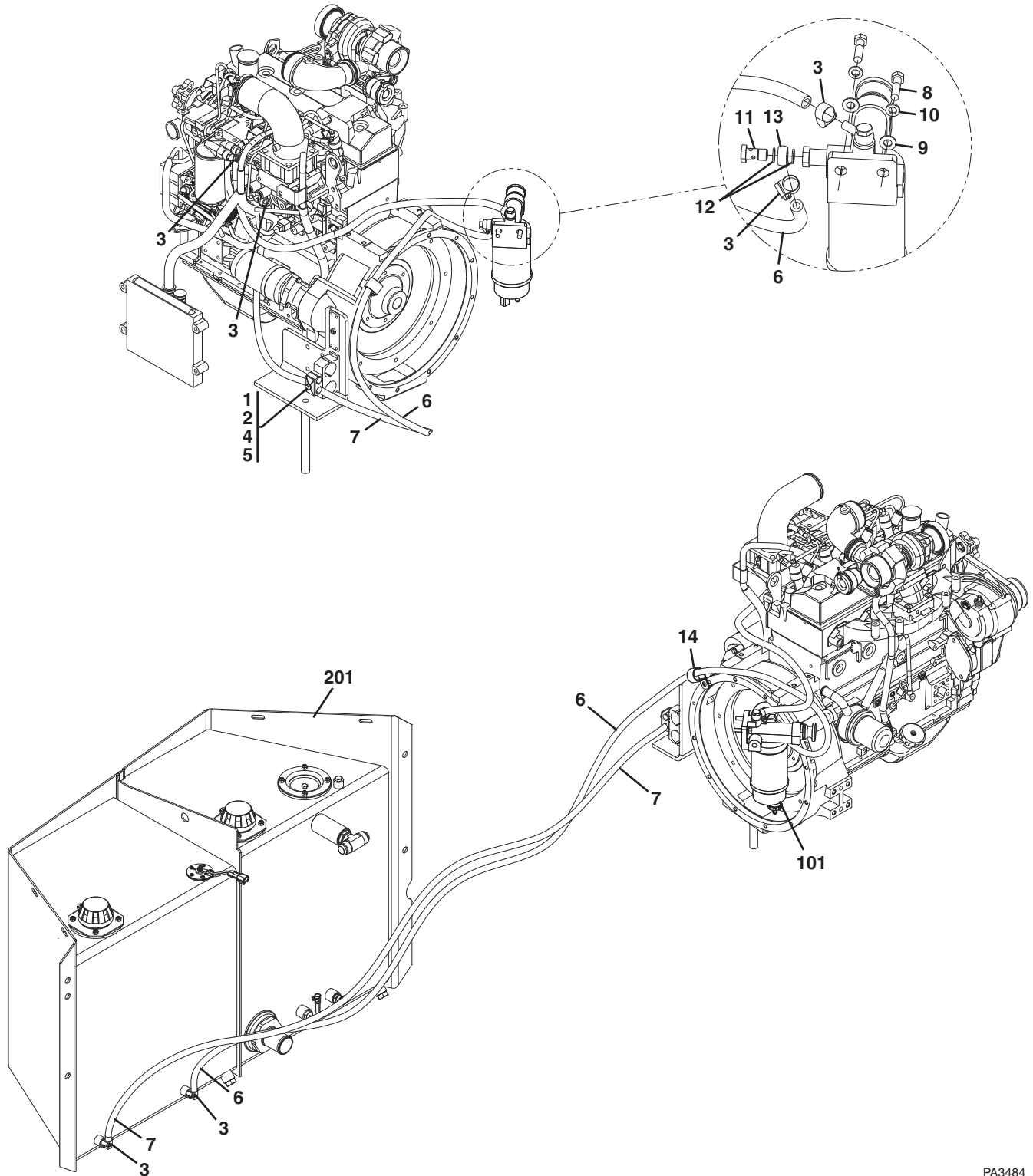


Figure 4-2 Fuel System

Item	Part Number	Qty.	Description	Rev.
1		Ref	FUEL/HYDRAULIC TANK ASSY, (see Figure 9-10 for details)	
2	7127081	1	FUEL RETURN HOSE ASSY, (S/N 17019 thru 19897)	
	7302085	1	FUEL RETURN HOSE ASSY, (S/N 0160002408 thru 0160039074)	
3	2720551	1	FUEL SUPPLY HOSE ASSY	
4	8405009	2	GEAR CLAMP, .62 MAX DIA	
5	8410013	4	GEAR CLAMP, .78 MAX DIA	
6	7127881	1	FUEL SUPPLY HOSE ASSY	
7	8420229	1	ELBOW, 90 DEGREES, HOSE BARB 6-4P	
8	8320270	1	PRIMARY FUEL FILTER, (S/N 17019 thru 19897)	
	7028838	1	PRIMARY FUEL FILTER, (S/N 0160002408 thru 0160039074)	
9	8274022	1	INLINE FUEL FILTER	
10	8303715	1	HEX HD CAPSCREW, 5/16-18X1-1/2, GR5	
11	8307004	1	LOCKWASHER, 5/16	
12	8750015	1	TWIN CLAMP SET, .67 IN DIA	
13	8769123	1	TWIN COVER PLATE	
14	8750017	1	LOCKING PLATE FOR TWIN CLAMP, (S/N 0160033308 thru 0160039074)	



Figure 4-2 Fuel System



PA3484



Figure 4-2 Fuel System

Item	Part Number	Qty.	Description	Rev.
	1001097567	Ref	FUEL SYSTEM, (not available to order, see items 1 thru 14 for service)	B
1	8303715	1	HEX HD CAPSCREW, 5/16-18X1-1/2	
2	8307004	1	LOCKWASHER, 5/16	
3	8410013	6	CLAMP	
4	8750015	1	CLAMP SET	
5	8769123	1	COVER PLATE	
6	1001097568	1	FUEL HOSE	
7	1001097569	1	FUEL HOSE	
8	0641612	2	HEX HD CAPSCREW, 3/8-16X1-1/2, GR5	
9	4711600	2	FLAT WASHER, 3/8	
10	4761600	2	LOCKWASHER, 3/8	
11	1001102931	1	BOLT, 14mm	
12	1001102933	2	COPPER RING SEAL	
13	1001113511	1	ADAPTER	
14	8406302	1	HOSE CLAMP	
101	70021851	1	FUEL FILTER	
201		Ref	FUEL/HYDRAULIC TANK ASSY, (see Figure 9-9 for details)	



Figure 4-3 Radiator & Oil Cooler Mounting

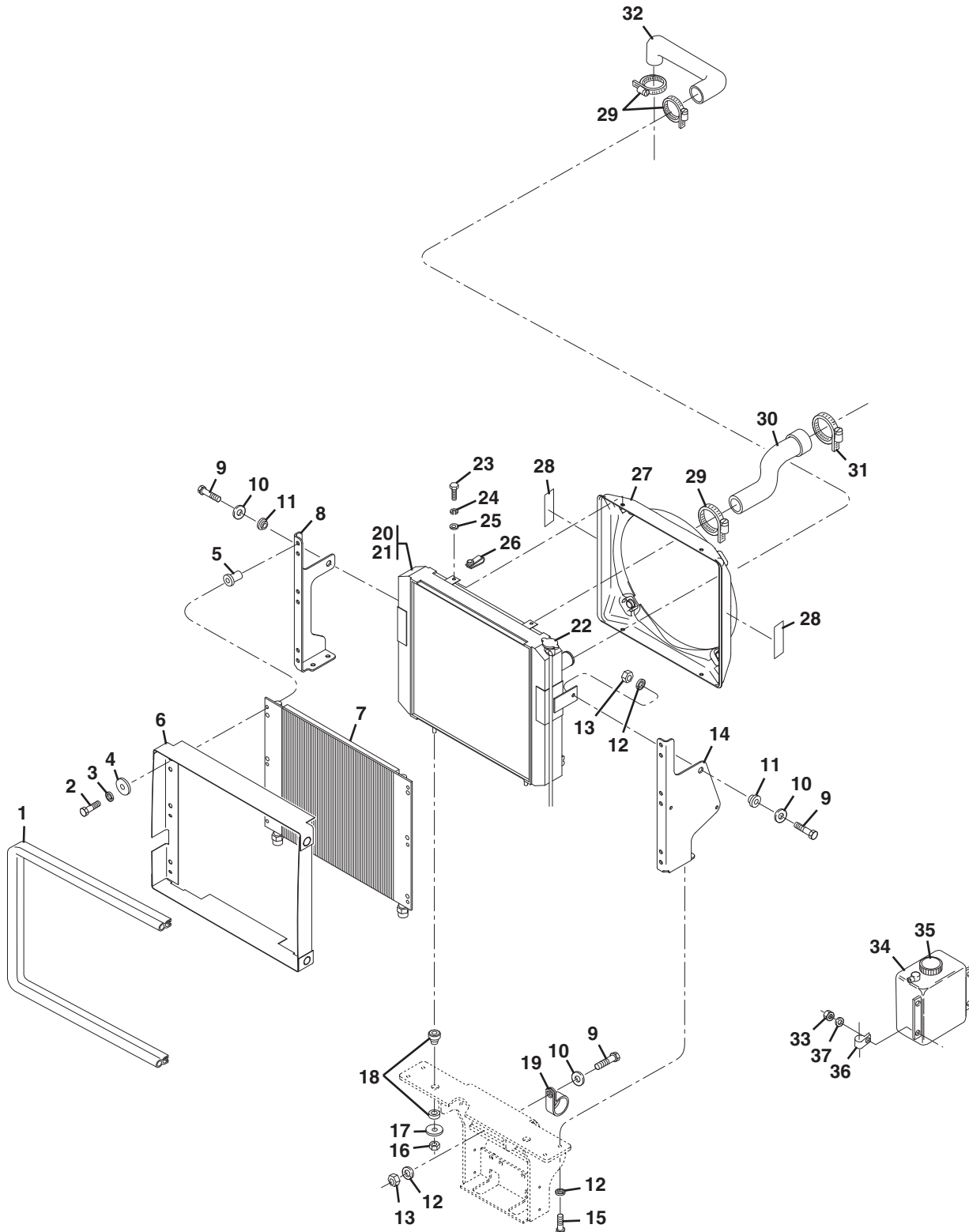


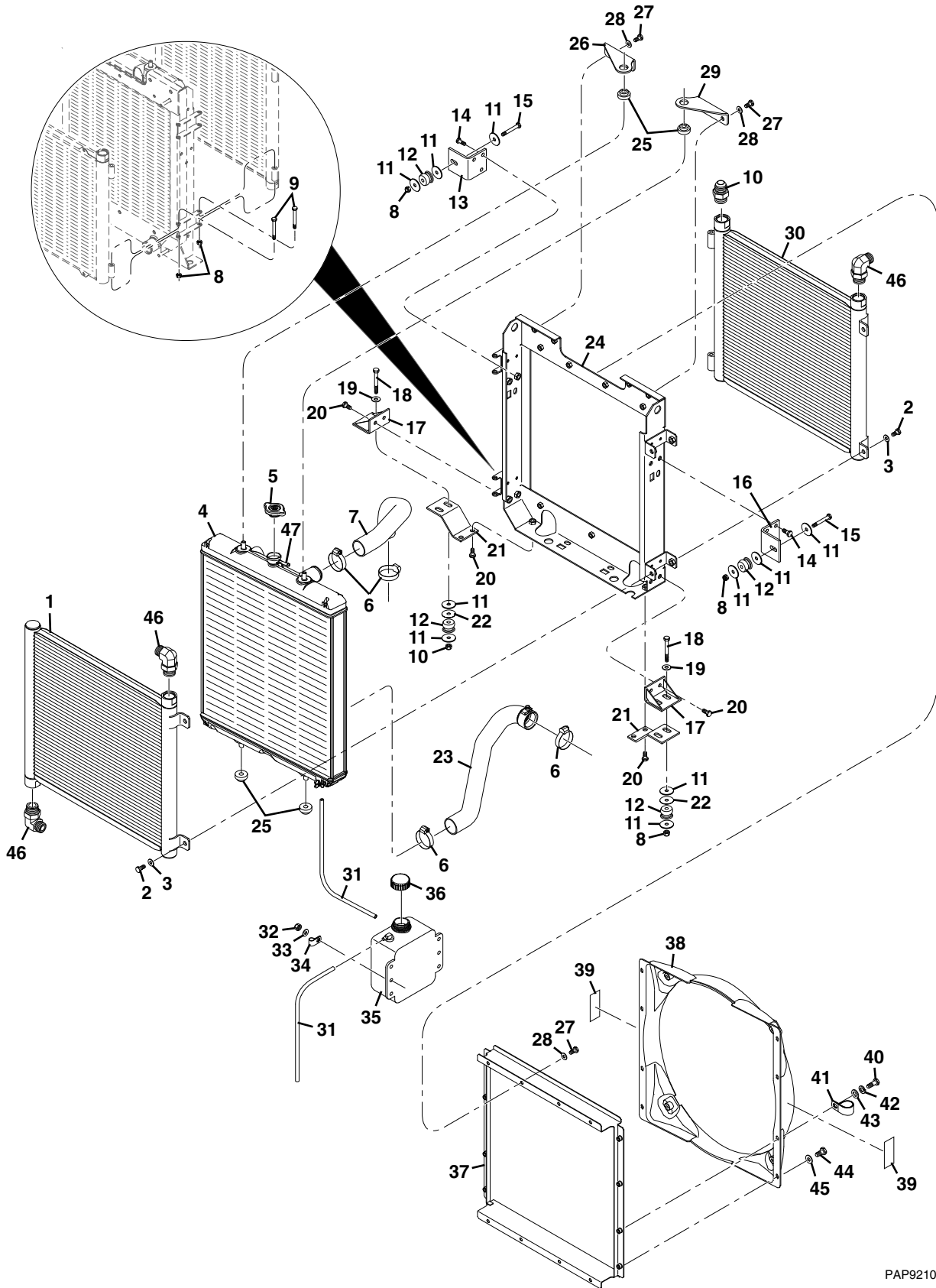


Figure 4-3 Radiator & Oil Cooler Mounting

Item	Part Number	Qty.	Description	Rev.
1	7139778	1	BULB SEAL	
2	8303743	6	HEX HD CAPSCREW, 1/4-20X1-1/2	
3	8307002	6	LOCKWASHER, 1/4	
4	8307202	6	FLAT WASHER, 1/4	
5	8580420	6	WELL NUT	
6	7139763	1	RADIATOR BAFFLE	
7	7129973	1	OIL COOLER	
8	7139447	1	LH RADIATOR BRACKET ASSY	
9	8303675	3	HEX HD CAPSCREW, 3/8-16X1-1/4, GR5	
10	8307204	3	PLAIN WASHER, 3/8	
11	8278031	2	ISOLATOR RADIATOR MOUNT	
12	8307005	6	LOCKWASHER, 3/8	
13	8305008	2	HEX NUT, 3/8-16	
14	7139446	1	RH RADIATOR BRACKET ASSY	
15	8303620	4	HEX HD CAPSCREW, 3/8-16X1	
16	8305645	2	LOCKNUT, 3/8-16	
17	7057141	2	REBOUND WASHER	
18	8278008	2	RUBBER MOUNT	
19	8406302	1	HOSE CLAMP, 1-1/2 DIA	
20	8024029	1	RADIATOR ASSY KIT, (includes items 21 thru 27)	
21	NSS	1	RADIATOR	
22	8180311	1	RADIATOR CAP, (13 PSI)	
23	8303697	4	HEX HD CAPSCREW, 5/16-18X3/4, GR5	
24	8307004	4	LOCKWASHER, 5/16	
25	8307106	4	PLAIN WASHER, 5/16	
26	8036546	4	SPEED NUT, 5/16-18	
27	8024031	1	RADIATOR SHROUD, (includes item 28)	
28		Ref	MOVING PARTS WARNING DECAL, (see Figure 11-1 for details)	
29	8405104	3	HOSE CLAMP, 2-1/4	
30	7138515	1	LOWER RADIATOR HOSE	
31	8405203	1	HOSE CLAMP, 3	
32	7126703	1	UPPER RADIATOR HOSE	
33	8305624	2	HEX LOCKNUT, 1/4	
34	7085422	1	RADIATOR OVERFLOW TANK, (includes item 35)	
35	8866341	1	CAP WITH TETHER	
36	8406101	1	HOSE SUPPORT, 5/8	
37	8307109	2	FLAT WASHER, 1/4	

 ENGINE & ATTACHING PARTS

Figure 4-3 Radiator & Oil Cooler Mounting



PAP9210



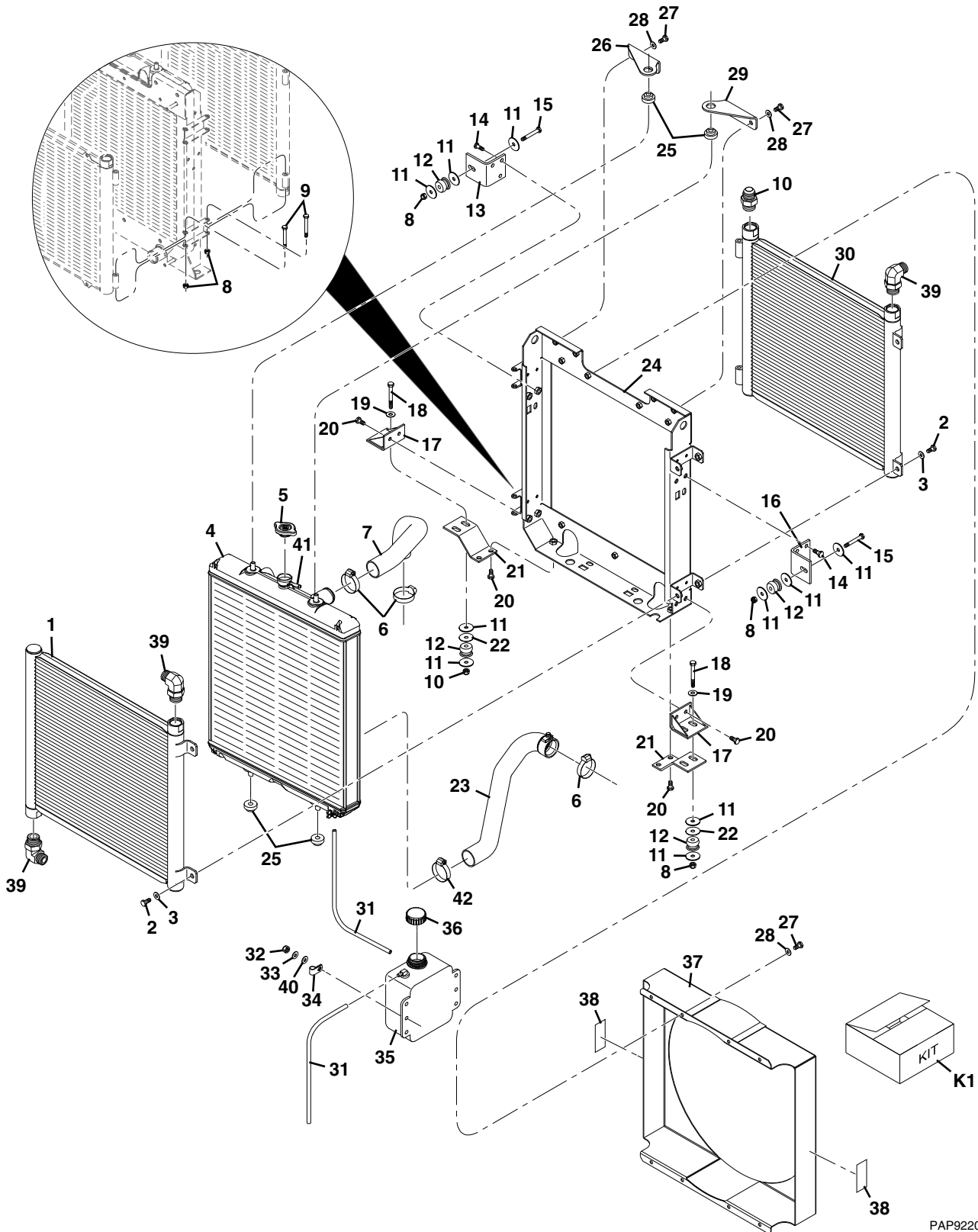
Figure 4-3 Radiator &amp; Oil Cooler Mounting

Item	Part Number	Qty.	Description	Rev.
1	8180216	1	TRANSMISSION OIL COOLER ASSY	
2	8303798	8	HEX HD CAPSCREW, M10-1.5X25mm, PC8.8	
3	8307221	8	PLAIN WASHER, M10	
4	8036816	1	RADIATOR ASSY	
5	8180311	1	RADIATOR PRESSURE CAP, 13 PSI	
6	8405104	4	HOSE CLAMP, #28	
7	7301833	1	UPPER RADIATOR HOSE	
8	8305645	8	HEX NUT, 3/8-16	
9	8303107	4	HEX HD CAPSCREW, 3/8-16X3-1/4	
10	8770078	1	STRAIGHT CONNECTOR	
11	7057141	AR	FLAT REBOUND WASHER	
12	8278020	4	RUBBER ISOLATOR MOUNT	
13	7301649	1	UPPER LEFT RADIATOR SUPPORT BRACKET	
14	8303798	6	HEX HD CAPSCREW, M10-1.5X25mm, PC8.8	
15	8303106	2	HEX HD CAPSCREW, 3/6-16X2-1/5, GR5	
16	7301648	1	UPPER RIGHT RADIATOR SUPPORT BRACKET	
17	7301653	2	LOWER RADIATOR SUPPORT BRACKET	
18	8303704	2	HEX HD CAPSCREW, 3/8-16X3, GR5	
19	8310200	2	PLAIN WASHER, 3/8	
20	8303784	6	HEX HD CAPSCREW, M10-1.5X20mm, PC8.8	
21	7301651	2	LOWER RADIATOR MOUNT BRACKET	
22	8310246	AR	FENDER WASHER, .375X.048X1.5	
23	2720555	1	LOWER RADIATOR HOSE	
24	8036812	1	FRAME ASSY	
25	8180324	4	RUBBER CUSHION	
26	8180326	1	LEFT FRAME BRACKET	
27	8303606	12	HEX HD CAPSCREW, M8-1.25X22mm, PC8.8	
28	8307222	12	PLAIN WASHER, M8	
29	8180325	1	RIGHT FRAME BRACKET	
30	8180215	1	HYDRAULIC OIL COOLER ASSY	
31	8180335	1	OVERFLOW TANK HOSE, 75mm LG	
32	8305624	2	HEX LOCKNUT, 1/4-20	
33	8307109	2	PLAIN WASHER, 1/4	
34	8406101	1	TUBE CLIP, 5/8	
35	7085422	1	OVERFLOW TANK, (includes item 36)	
36	8866341	1	OVERFLOW TANK CAP	
37		Ref	SHROUD SPACER, (no longer available, use kit 2915054 on Figure 4-3, S/N 0160010812 thru 0160039074 for replacement)	
38		Ref	RADIATOR SHROUD, (includes item 39), (no longer available, use kit 2915054 on Figure 4-3, S/N 0160010812 thru 0160039074 for replacement)	
39		Ref	MOVING PARTS WARNING DECAL, (see Figure 11-1 for details)	
40	8303670	1	HEX HD CAPSCREW, 5/16-18X1, GR5	
41	8406302	1	HOSE CLAMP, 1-1/4 DIA	
42	8307004	1	LOCKWASHER, 5/16	
43	8307106	1	PLAIN WASHER, 5/16	
44	8303656	7	HEX HD CAPSCREW, 5/16-18X7/8	
45	8307106	7	PLAIN WASHER, .312X.344X.688X.065	
46	2131216	3	ELBOW, 90 DEGREES	
47	70023968	1	DRAIN HOSE	



ENGINE & ATTACHING PARTS

Figure 4-3 Radiator & Oil Cooler Mounting



PAP9220

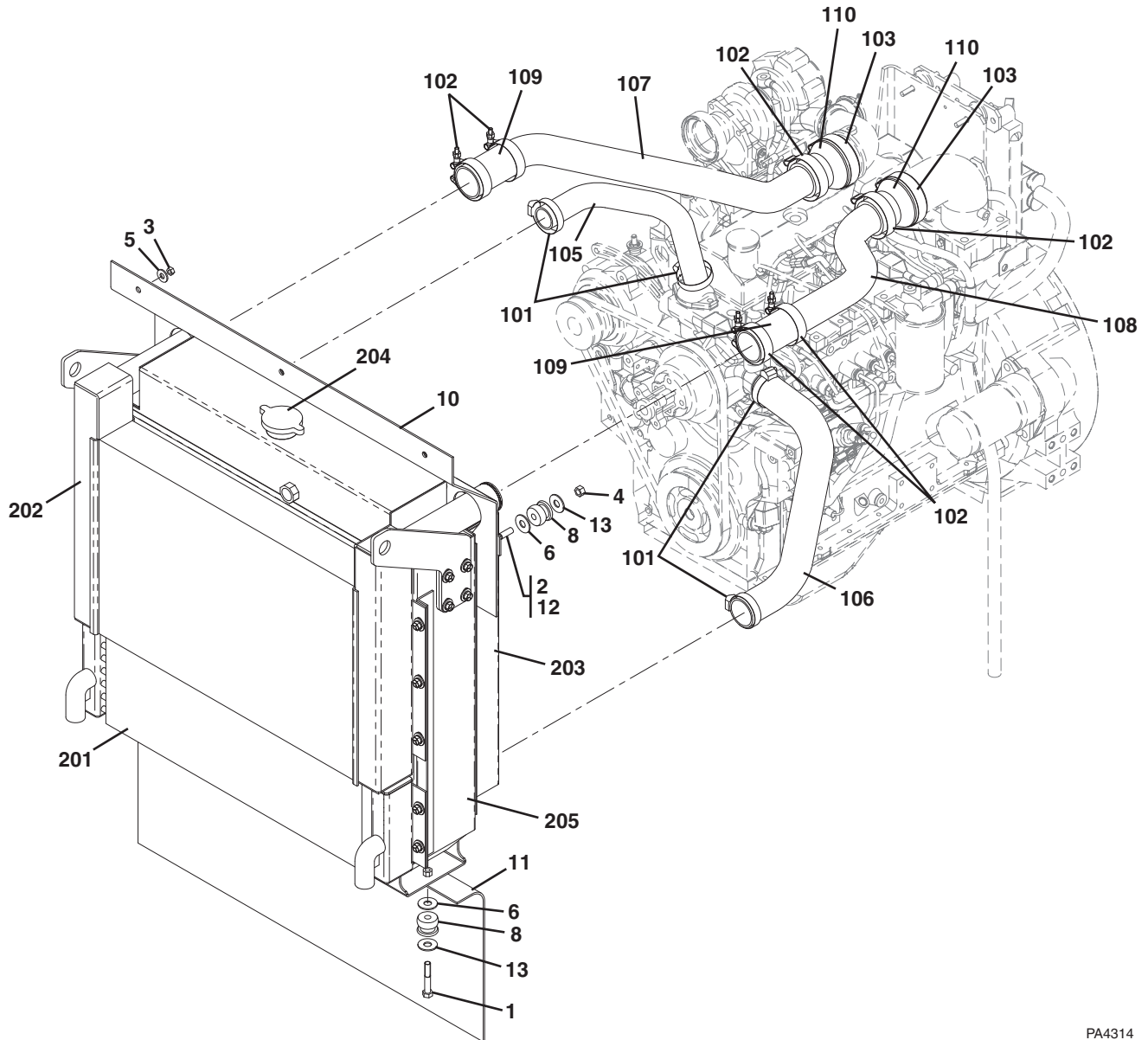


Figure 4-3 Radiator &amp; Oil Cooler Mounting

Item	Part Number	Qty.	Description	Rev.
	3620059	Ref	RADIATOR ASSY, (includes items 1 thru 4, qty 4 of item 8, 9, 10, 24 thru 31, 37, 39 & 40)	D
1	8180216	1	TRANSMISSION OIL COOLER ASSY	
2	8303798	4	HEX HD CAPSCREW, M10-1.5X25mm, PC8.8, (torque to 25-45 lb-ft)	
3	8307221	4	PLAIN WASHER, M10	
4	8036816	1	RADIATOR ASSY, (includes item 5)	
5	8180311	1	RADIATOR PRESSURE CAP, 13 PSI	
6	8405104	3	HOSE CLAMP, #28	
7	7301833	1	UPPER RADIATOR HOSE	
8	8305645	8	HEX NUT, 3/8-16	
9	8303107	4	HEX HD CAPSCREW, 3/8-16X3-1/4, (torque to 13-23 lb-ft)	
10	8770078	1	STRAIGHT CONNECTOR	
11	7057141	AR	FLAT REBOUND WASHER	
12	8278020	4	RUBBER ISOLATOR MOUNT	
13	7301649	1	UPPER LEFT RADIATOR SUPPORT BRACKET	
14	8303798	6	HEX HD CAPSCREW, M10-1.5X25mm, PC8.8	
15	8303106	2	HEX HD CAPSCREW, 3/6-16X2-1/5, GR5	
16	7301648	1	UPPER RIGHT RADIATOR SUPPORT BRACKET	
17	7301653	2	LOWER RADIATOR SUPPORT BRACKET	
18	8303704	2	HEX HD CAPSCREW, 3/8-16X3, GR5	
19	8310200	2	PLAIN WASHER, 3/8	
20	8303784	6	HEX HD CAPSCREW, M10-1.5X20mm, PC8.8	
21	7301651	2	LOWER RADIATOR MOUNT BRACKET	
22	8310246	AR	FENDER WASHER, .375X.048X1.5	
23	2720555	1	LOWER RADIATOR HOSE	
24	8036812	1	FRAME ASSY	
25	8180324	4	RUBBER CUSHION	
26	8180326	1	LEFT FRAME BRACKET	
27	8303606	12	HEX HD CAPSCREW, M8-1.25X22mm, PC8.8	
28	8307222	12	PLAIN WASHER, M8	
29	8180325	1	RIGHT FRAME BRACKET	
30	8180215	1	HYDRAULIC OIL COOLER ASSY	
31	8180335	1	OVERFLOW TANK HOSE, 75mm LG	
32	8305004	2	HEX LOCKNUT, 1/4-20	
33	8307024	2	LOCK WASHER, M6, (Metric)	
34	8406101	1	TUBE CLIP, 5/8	
35	7085422	1	OVERFLOW TANK, (includes item 36)	
36	8866341	1	OVERFLOW TANK CAP	
37	7029005	1	RADIATOR SHROUD	
38		Ref	MOVING PARTS WARNING DECAL, (see Figure 11-1 for details)	
39	2131216	3	ELBOW, 90 DEGREES	
40	4711400	2	PLAIN WASHER, 1/4	
41	70023968	1	DRAIN HOSE	
42	8405202	1	GEAR CLAMP, 2.75 MAX DIA	
K1	2915054	1	FAN SHROUD KIT, (includes items 6, 23, 27, 28 & 37)	



Figure 4-3 Radiator & Oil Cooler Mounting



PA4314



Figure 4-3 Radiator &amp; Oil Cooler Mounting

Item	Part Number	Qty.	Description	Rev.
	1001096431	1	RADIATOR ASSY, (includes items 1 thru 13)	B
1	0641618	2	HEX HD CAPSCREW, 3/8-16X2-1/4, GR5	
2	0641616	2	HEX HD CAPSCREW, 3/8-16X2, GR5	
3	3311401	3	LOCKNUT, 1/4-20, GR2	
4	3311605	2	LOCKNUT, 3/8-16, GR2	
5	4740362	3	FENDER WASHER, 1/4	
6	4751700	4	FLAT WASHER, 7/16	
8	8278020	4	MOUNT	
9	1001096432	1	RADIATOR ASSY, (includes items 201 thru 205)	E
10	1001102212	1	UPPER RUBBER AIR DAM	
11	1001102213	1	LOWER RUBBER AIR DAM	
12	4751600	2	FLAT WASHER, 3/8	
13	7057141	4	REBOUND WASHER	
	1001096434	Ref	ENGINE COOLANT PLUMBING INSTALLATION, (not available to order, see items 101 thru 110 for service)	D
101	8405104	4	CLAMP, (torque to 60 lb-ft)	
102	8405209	6	HEAVY DUTY BAND CLAMP, (torque to 60 lb-ft)	
103	91163129	2	HEAVY DUTY BAND CLAMP, (torque to 60 lb-ft)	
105	1001096435	1	UPPER RADIATOR HOSE	
106	1001096436	1	LOWER RADIATOR HOSE	
107	1001097564	1	PIPE	
108	1001097565	1	PIPE	
109	91563070	2	COUPLING	
110	1001098972	2	REDUCER	
201	70022692	1	HYDRAULIC OIL COOLER	
202	70022693	1	CAC ASSY	
203	70023599	1	SHROUD	
204	70022695	1	RADIATOR CAP	
205	70022696	1	RADIATOR	



Figure 4-4 Air Cleaner Assembly

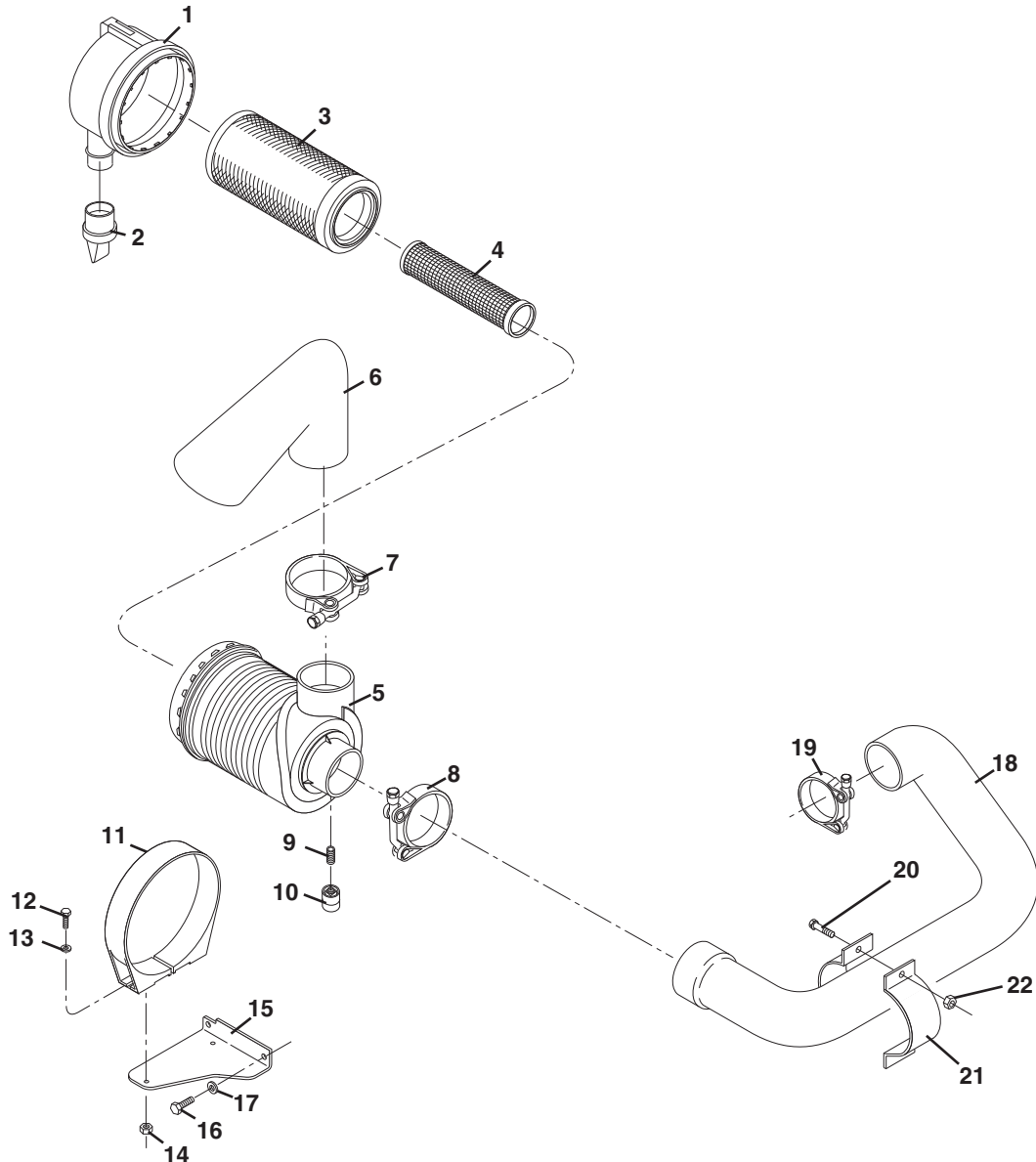




Figure 4-4 Air Cleaner Assembly

Item	Part Number	Qty.	Description	Rev.
	8273027	1	AIR CLEANER ASSY, (includes items 1 thru 5)	AB
1	8036745	1	END COVER	
2	8032398	1	VACUATOR VALVE	
3	8035098	1	PRIMARY ELEMENT	
4	8035099	1	SAFETY ELEMENT	
5	NSS	1	AIR CLEANER BODY	
6	7097323	1	AIR INTAKE SCOOP	
7	8405404	1	T-BOLT BAND CLAMP, 4.38 ID	
8	8405505	1	T-BOLT BAND CLAMP, 4.06 ID	
9	8551001	1	NIPPLE, #2 DIA X 3/4 LG	
10	8273241	1	AIR INTAKE RESTRICTION INDICATOR	
11	8273303	1	AIR CLEANER MOUNTING BAND	
12	8303739	2	HEX HD CAPSCREW, 5/16-18X1-1/4, GR5	
13	8307203	2	FLAT WASHER, 5/16	
14	8305626	2	HEX LOCKNUT, 5/16	
15	7139553	1	AIR CLEANER BRACKET	
16	8303618	2	HEX HD CAPSCREW, M12X25mm	
17	8307025	2	LOCKWASHER, M121	
18	7095393	1	AIR INTAKE HOSE	
19	8405305	1	T-BOLT BAND CLAMP, 3.38ID	
20	8303670	2	HEX HD CAPSCREW, 5/16-18X1	
21	7301006	2	HEAT SHIELD	
22	8310453	2	NUT, 5/16-18	



Figure 4-4 Air Cleaner Assembly

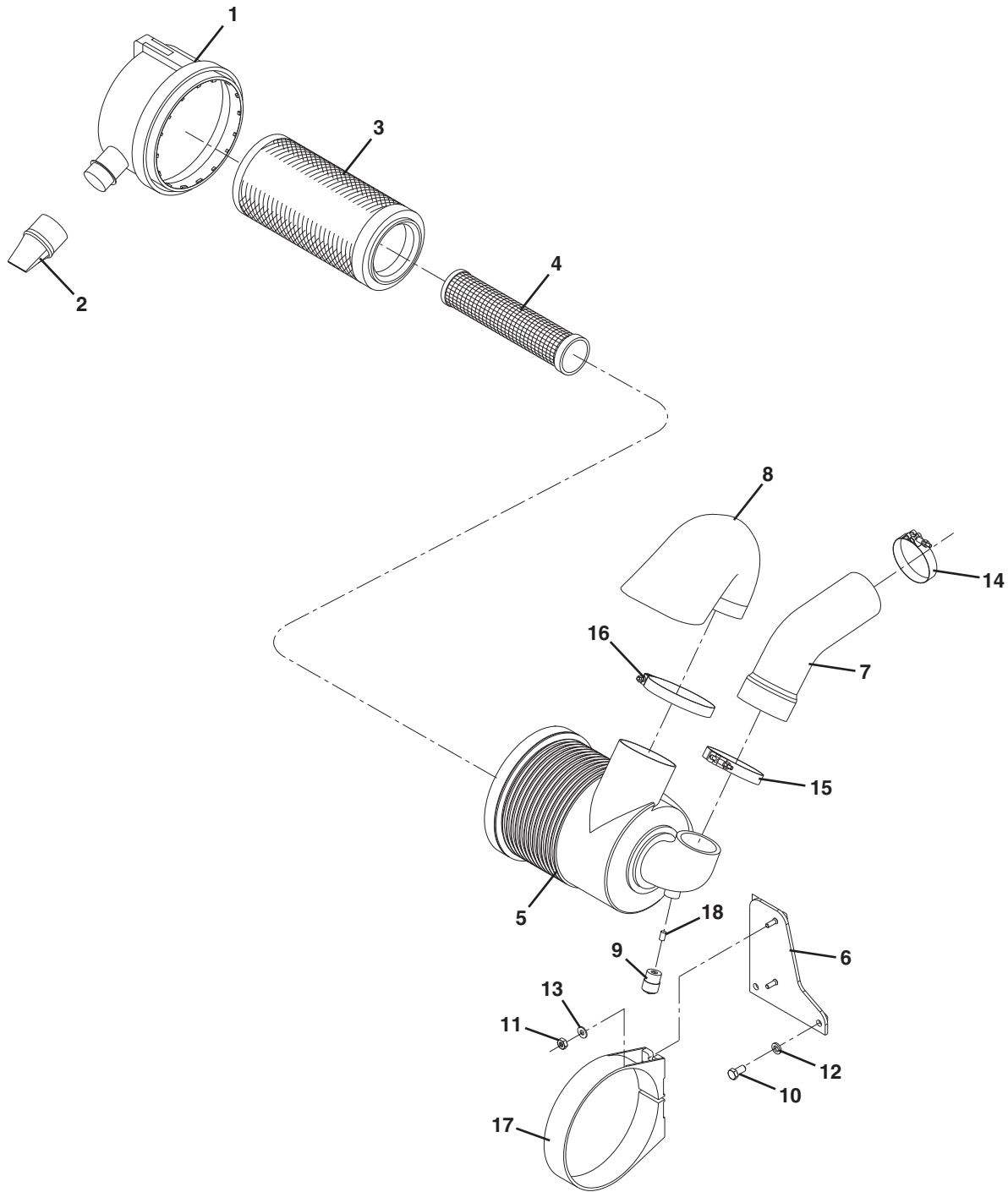


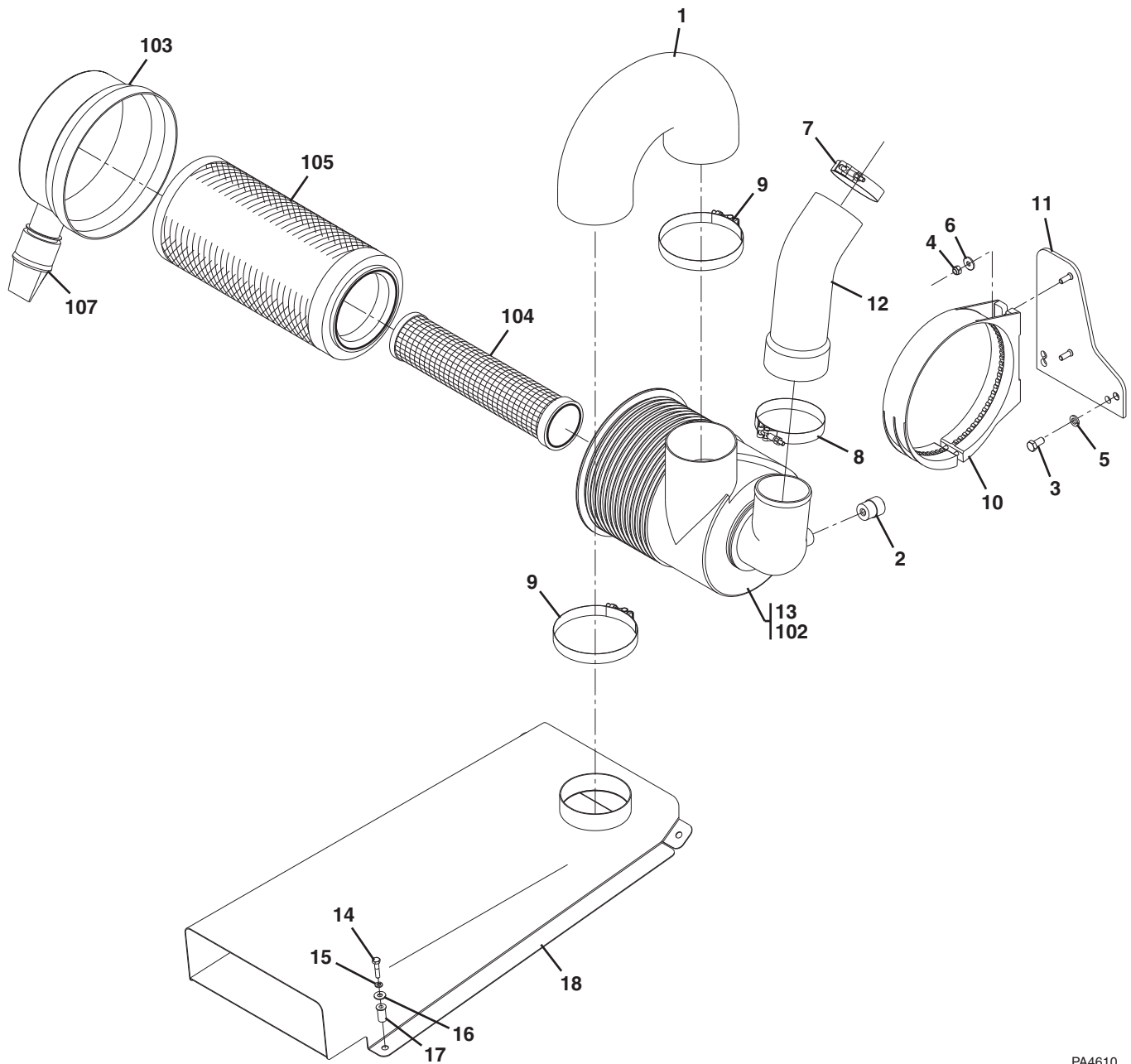


Figure 4-4 Air Cleaner Assembly

Item	Part Number	Qty.	Description	Rev.
	10268515	1	AIR CLEANER ASSY, (includes items 1 thru 5)	C
1	91364023	1	COVER ASSY	
2	80373094	1	VACUATOR VALVE	
3	1101312	1	PRIMARY ELEMENT	
4	1101313	1	SAFETY ELEMENT	
5	NSS	1	AIR CLEANER BODY	
6	4340812	1	AIR CLEANER MOUNT	
7	2720549	1	AIR CLEANER HOSE	
8	7300972	1	AIR INTAKE SCOOP	
9	8273241	1	AIR INTAKE RESTRICTION INDICATOR	
10	8303618	2	HEX HD CAPSCREW, M12X1.75X25mm, PC8.8	
11	8305626	2	HEX LOCKNUT, 5/16-18	
12	8307025	2	LOCKWASHER, M12	
13	8307203	2	PLAIN WASHER, 5/16	
14	8405305	1	T-BOLT CLAMP, 3.38 ID	
15	8405505	1	T-BOLT CLAMP	
16	8410021	1	T-BOLT CLAMP, 5.00 ID	
17	10268516	1	MOUNTING BAND	
18	8551001	1	NIPPLE, #2 DIA X 3/4 LG	



Figure 4-4 Air Cleaner Assembly



PA4610



Figure 4-4 Air Cleaner Assembly

Item	Part Number	Qty.	Description	Rev.
	1001096427	1	AIR INTAKE INSTALL, (includes items 1 thru 18)	C
1	1001102277	1	ELBOW, 180 DEGREES	
2	8273241	1	AIR INTAKE RESTRICTION INDICATOR	
3	8310668	2	BUTTON HD CAPSCREW, 10-1.2X25mm, GR10.9	
4	8305626	2	HEX LOCKNUT, .312-18	
5	83191013	2	LOCKWASHER, 10mm	
6	8307203	2	WASHER, .312	
7	8405305	1	CLAMP	
8	8405505	1	CLAMP	
9	8410021	2	CLAMP	
10	10268516	1	MOUNTING BAND	
11	1001096484	1	AIR CLEANER SUPPORT	
12	1001098977	1	AIR INTAKE PIPE	
13	10268515	1	AIR CLEANER, (includes items 102 thru 107)	C
14	8303615	4	HEX HD CAPSCREW, .250-20X1.25, GR5	
15	8307002	4	LOCKWASHER, .250	
16	8307202	4	WASHER, .250	
17	8580420	4	WELL NUT	
18	1001102214	1	AIR INTAKE DUCT	
102	NSS	1	AIR CLEANER BODY	
103	91364023	1	COVER ASSY	
104	1101313	1	SAFETY ELEMENT	
105	1101312	1	PRIMARY ELEMENT	
107	80373094	1	VACUATOR VALVE	



Figure 4-5 Exhaust System

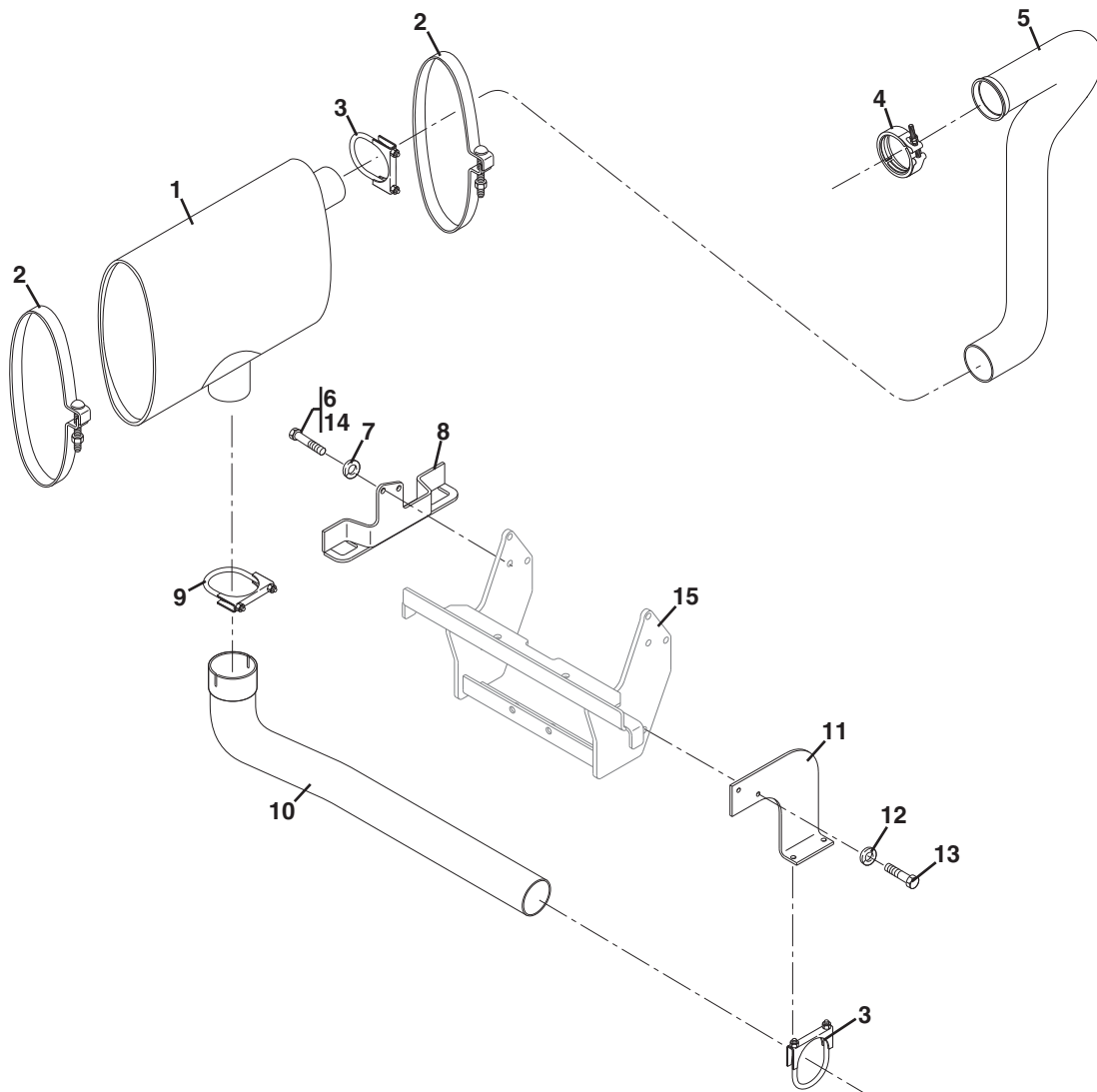




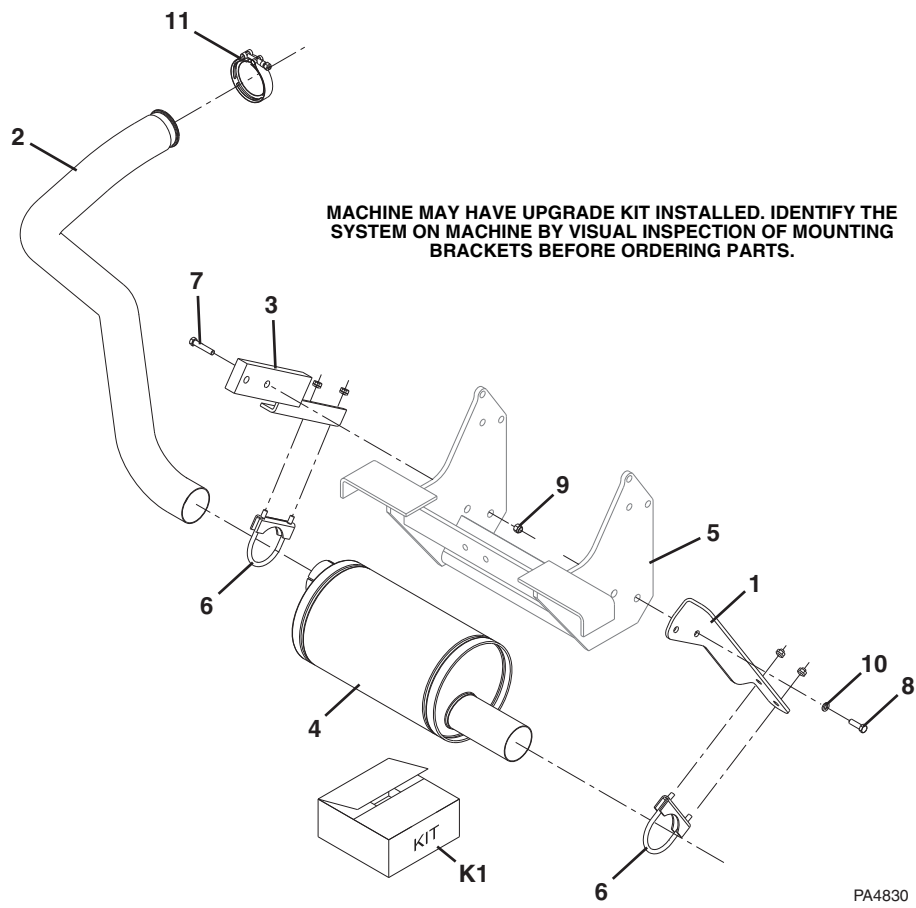
Figure 4-5 Exhaust System

Item	Part Number	Qty.	Description	Rev.
1	7150642	1	MUFFLER	
2	7126992	2	BAND CLAMP, 5X11	
3	8275247	2	MUFFLER CLAMP, 3	
4	8275240	1	V BAND CLAMP	
5	7138871	1	EXHAUST PIPE	
6	8303519	2	HEX HD CAPSCREW, M12X1.75X35mm	
7	8307220	2	PLAIN WASHER, M12	
8	7138318	1	MUFFLER BRACKET	
9	8275248	1	MUFFLER CLAMP, 2-3/4	
10	7138816	1	TAIL PIPE	
11	7138815	1	EXHAUST PIPE MOUNTING BRACKET	
12	8307005	2	LOCKWASHER, 3/8	
13	8303675	2	HEX HD CAPSCREW, 3/8-16X1-1/4, GR5	
14	0100011	AR	LOCTITE® 242™, (apply to item 6)	
15		Ref	ENGINE MOUNT, (see Figure 4-1 for details)	



ENGINE & ATTACHING PARTS

Figure 4-5 Exhaust System



PA4830

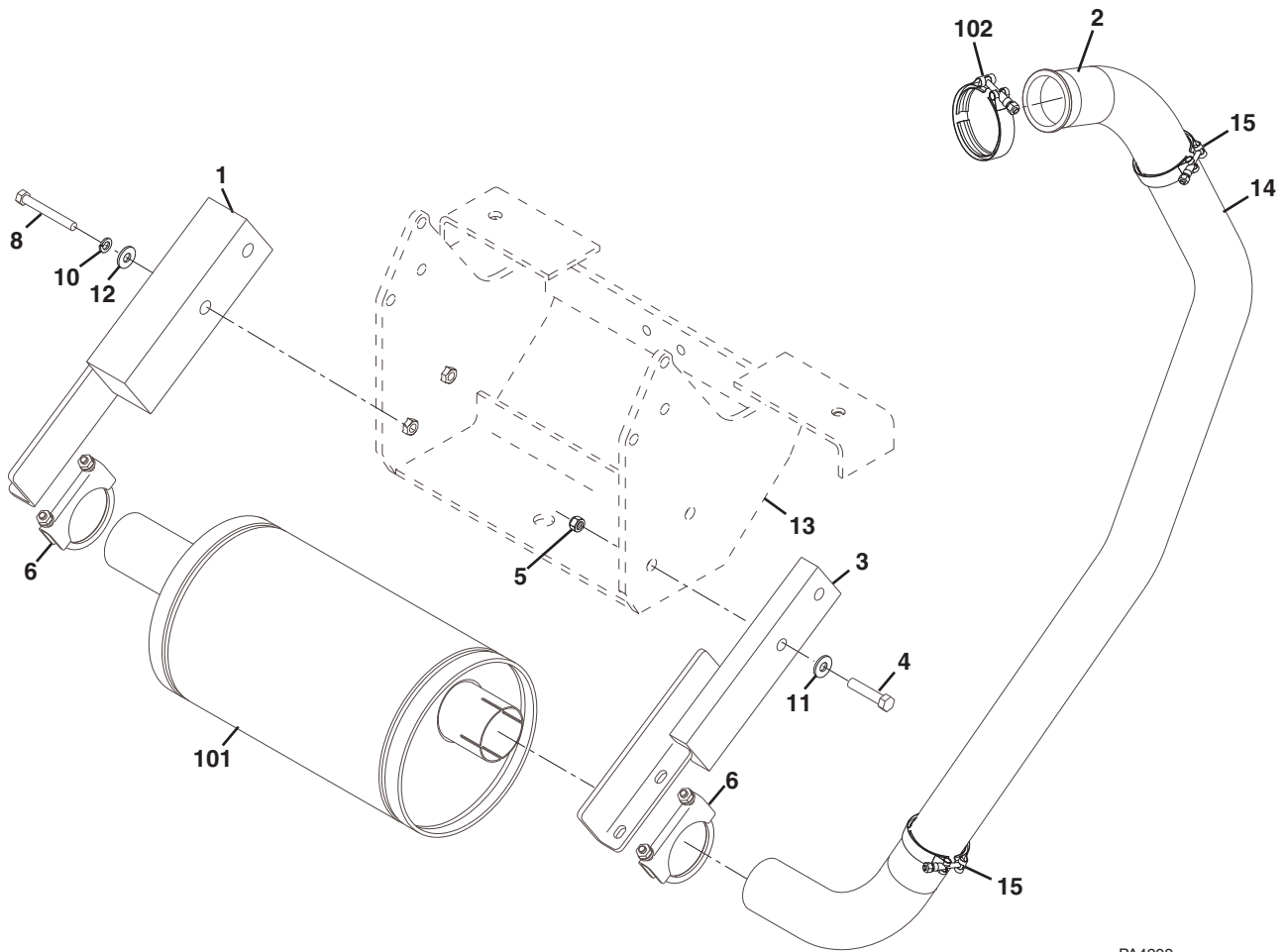


Figure 4-5 Exhaust System

Item	Part Number	Qty.	Description	Rev.
1	7302304	1	EXHAUST BRACKET	
2	7301505	1	EXHAUST PIPE	
3	7301506	1	MOUNTING BRACKET	
4	8275045	1	ROUND MUFFLER	
5		Ref	ENGINE MOUNT, (see Figure 4-1 for details)	
6	8275247	2	MUFFLER CLAMP, 3 IN	
7	0641718	2	HEX HD CAPSCREW, 7/16-14X2 1/4, GR5, (torque to 35-45 lb-ft)	
8	8303675	2	HEX HD CAPSCREW, 3/8-16X1-1/4, GR5, (torque to 7.5-13.5 lb-ft)	
9	8310109	2	HEX LOCKNUT, 7/16-14	
10	8307005	2	LOCKWASHER, 3/8	
11	77384830	1	V BAND CLAMP	
K1	1001102305	1	EXHAUST UPGRADE KIT, (see Figure 12-10 for details)	



Figure 4-5 Exhaust System



PA4293

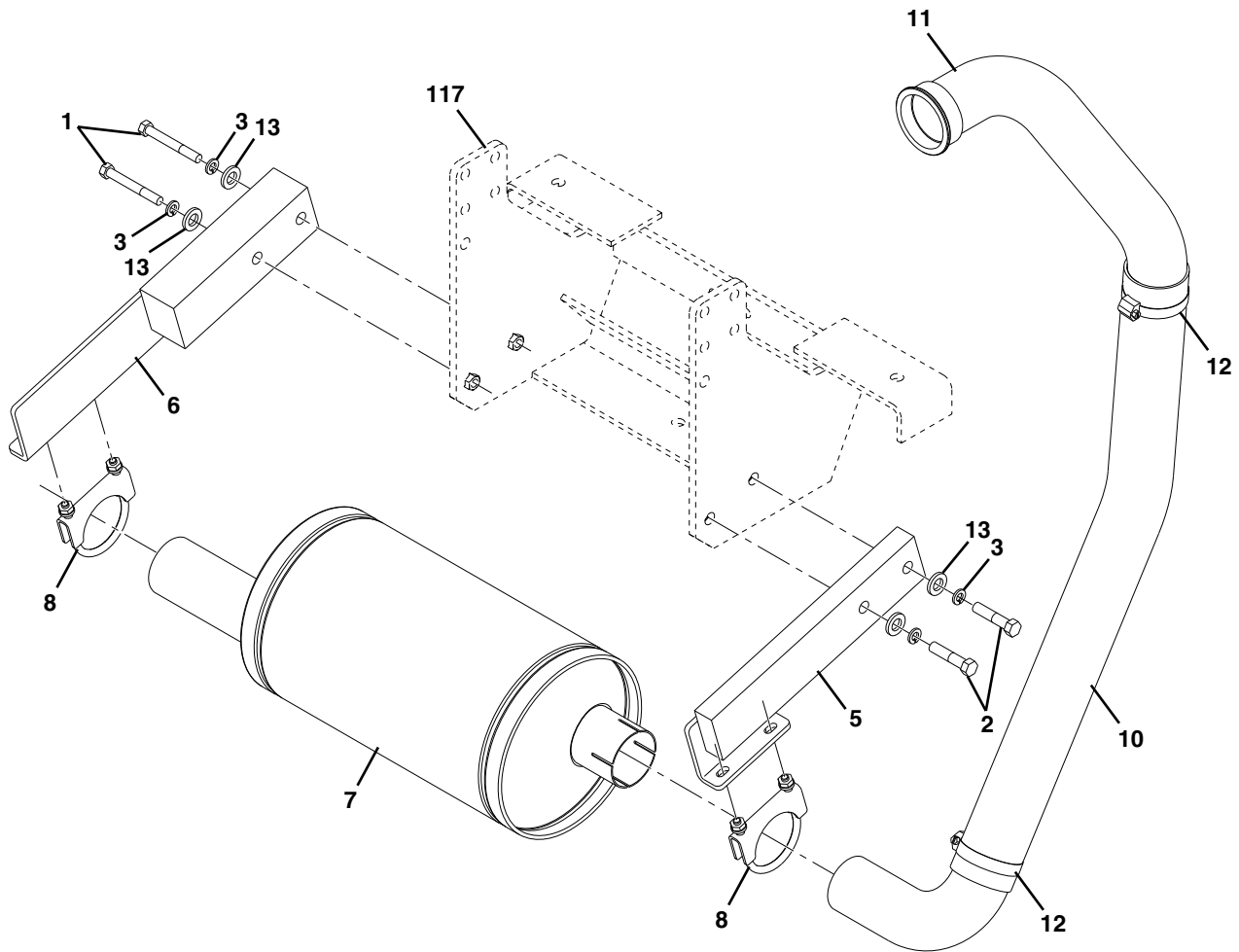


Figure 4-5 Exhaust System

Item	Part Number	Qty.	Description	Rev.
	7301498	Ref	EXHAUST INSTALLATION, (includes items 1 thru 12 & 14 thru 15)	I
1	1001101397	1	EXHAUST BRACKET	
2	1001100296	1	EXHAUST PIPE	
3	1001101396	1	MOUNTING BRACKET	
4	0641718	2	HEX HD CAPSCREW, 7/16-14X2-1/4, GR5, (torque to 35-45 lb-ft)	
5	8310109	2	HEX LOCKNUT, 7/16-14	
6	83683175	2	MUFFLER CLAMP, 2-1/2 IN	
8	0641624	2	HEX HD CAPSCREW, 3/8-16X3, GR5, (torque to 7.5-13.5 lb-ft)	
10	8307005	2	LOCKWASHER, 3/8	
11	4751700	2	WASHER, 7/16	
12	4751600	2	WASHER, 3/8	
13		Ref	ENGINE MOUNT, (see Figure 4-1 for details)	
14	1001101193	1	FIBER GLASS SLEEVE	
15	8405202	2	GEAR CLAMP	
101	1001100978	1	ROUND MUFFLER	
102	77384830	1	V BAND CLAMP	



Figure 4-5 Exhaust System



PAP9340



Figure 4-5 Exhaust System

Item	Part Number	Qty.	Description	Rev.
	1001096425	1	EXHAUST INSTALL, (includes items 1 thru 13)	E
1	0641624	2	HEX HD CAPSCREW, 3/8-16X3, GR5, (torque to 25-30 lb-ft)	
2	0641616	2	HEX HD CAPSCREW, 3/8-16X2, GR5, (torque to 25-30 lb-ft)	
3	8307005	4	LOCKWASHER, .375	
5	1001114012	1	EXHAUST BRACKET	
6	1001114013	1	EXHAUST BRACKET	
7	1001100978	1	ROUND MUFFLER	
8	83683175	2	MUFFLER CLAMP	
10	1001101193	29 in	FIBER GLASS SLEEVE	
11	1001114040	1	EXHAUST PIPE	
12	8405202	2	GEAR CLAMP	
13	4751600	4	WASHER, 3/8	
117		Ref	ENGINE MOUNT, (see Figure 4-1 for details)	



Figure 4-6 Isolation Coupler

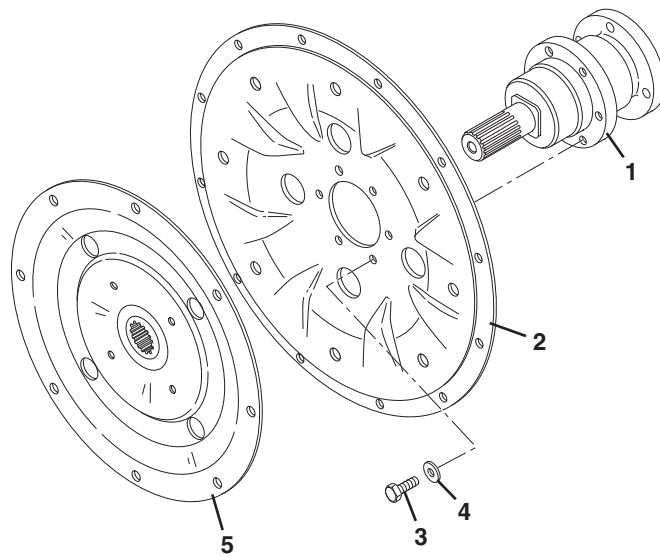




Figure 4-6 Isolation Coupler

Item	Part Number	Qty.	Description	Rev.
	7137643	1	ISOLATION COUPLER ASSY, (includes all items)	AA
1	8035555	1	SHAFT & BEARING ASSY	
2	8035556	1	PROTECTIVE HOUSING	
3	8035557	6	HEX HD BOLT, M10X25mm	
4	8035558	6	FLAT WASHER, M10	
5	8035559	1	TORSION COUPLING ELEMENT	



Figure 4-6 Isolation Coupler

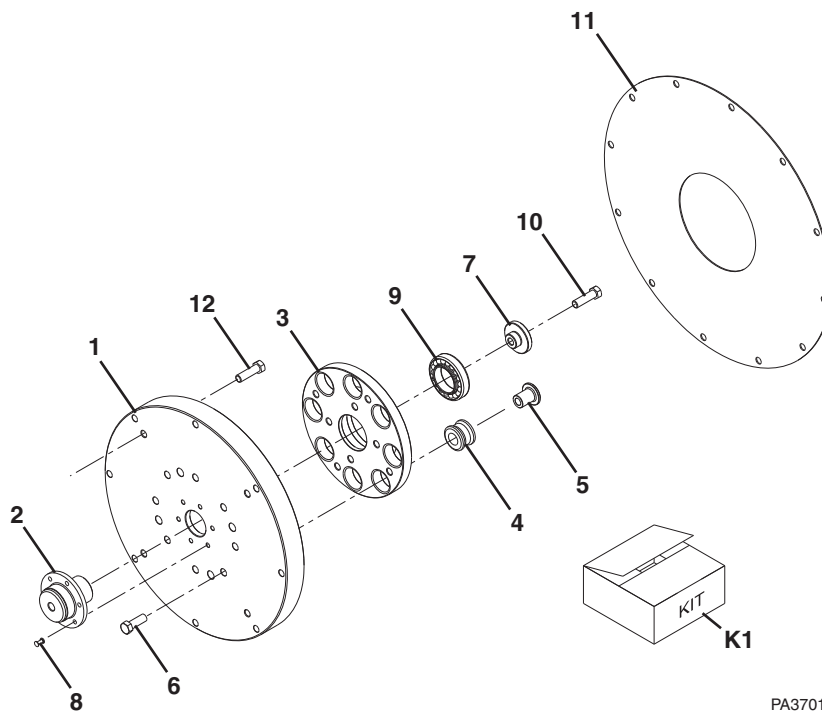




Figure 4-6 Isolation Coupler

Item	Part Number	Qty.	Description	Rev.
	8841318	1	ISOLATION COUPLER ASSY, (includes all items)	AA
1	NSS	1	FLYWHEEL PLATE, (not sold separately, use 8841318 for replacement)	
2	NSS	1	PILOT, (not sold separately, use 8841318 for replacement)	
3	7029264	1	COUPLING HUB	
4	Use Kit K1	8	NEOPRENE INSERT	
5	Use Kit K1	8	THREADED BUSHING	
6	Use Kit K1	8	BOLT, 7/16-20X1-1/4	
7	Use Kit K1	1	BUSHING	
8	NSS	6	FLANGE HD RIVET, 1/4X1	
9	NSS	1	BALL BEARING, (not sold separately, use 8841318 for replacement)	
10	Use Kit K1	5	HEX HD BOLT, 7/16-20X1-1/2	
11	7029265	1	COVER PLATE	
12	0761015	4	HEX HD BOLT, M10X1.5X35mm	
K1	70020228	1	ISOLATION COUPLER SERVICE KIT, (includes items 4, 5, 6, 7 & 10)	



Figure 4-6 Isolation Coupler

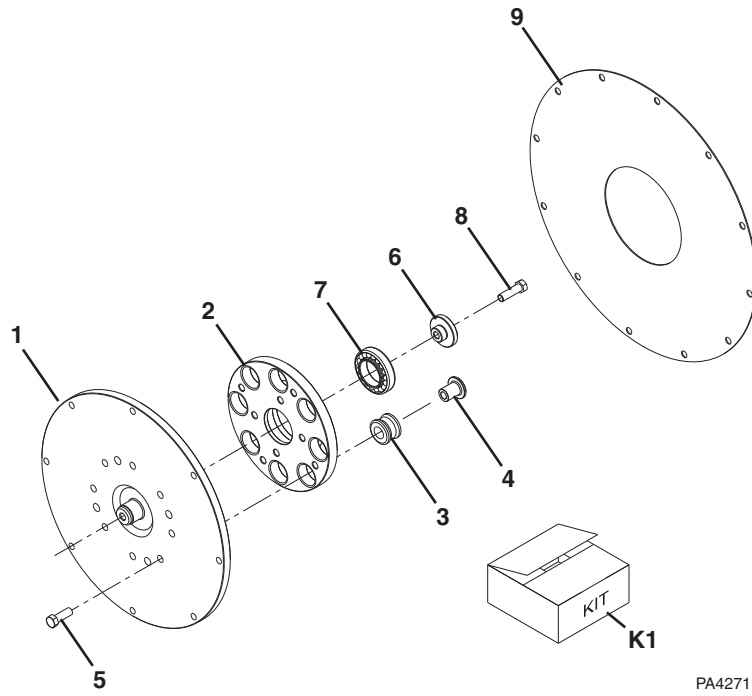




Figure 4-6 Isolation Coupler

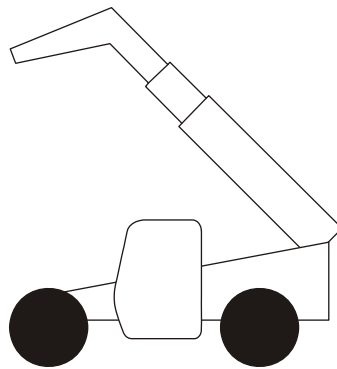
Item	Part Number	Qty.	Description	Rev.
	8841319	1	ISOLATION COUPLER ASSY, (includes all items)	AA
1	NSS	1	FLYWHEEL PLATE, (not sold separately, use 8841319 for replacement)	
2	7029264	1	COUPLING HUB	
3	Use Kit K1	8	NEOPRENE INSERT	
4	Use Kit K1	8	THREADED BUSHING	
5	Use Kit K1	8	HEX HD BOLT, 7/16-20X1-1/4	
6	Use Kit K1	1	BUSHING	
7	NSS	1	BALL BEARING, (not sold separately, use 8841319 for replacement)	
8	Use Kit K1	5	HEX HD BOLT, 7/16-20X1-1/2	
9	7029265	1	COVER PLATE	
K1	70020228	1	ISOLATION COUPLER SERVICE KIT, (includes items 3 thru 6 & 8)	



## ENGINE & ATTACHING PARTS

**This Page Intentionally Left Blank**

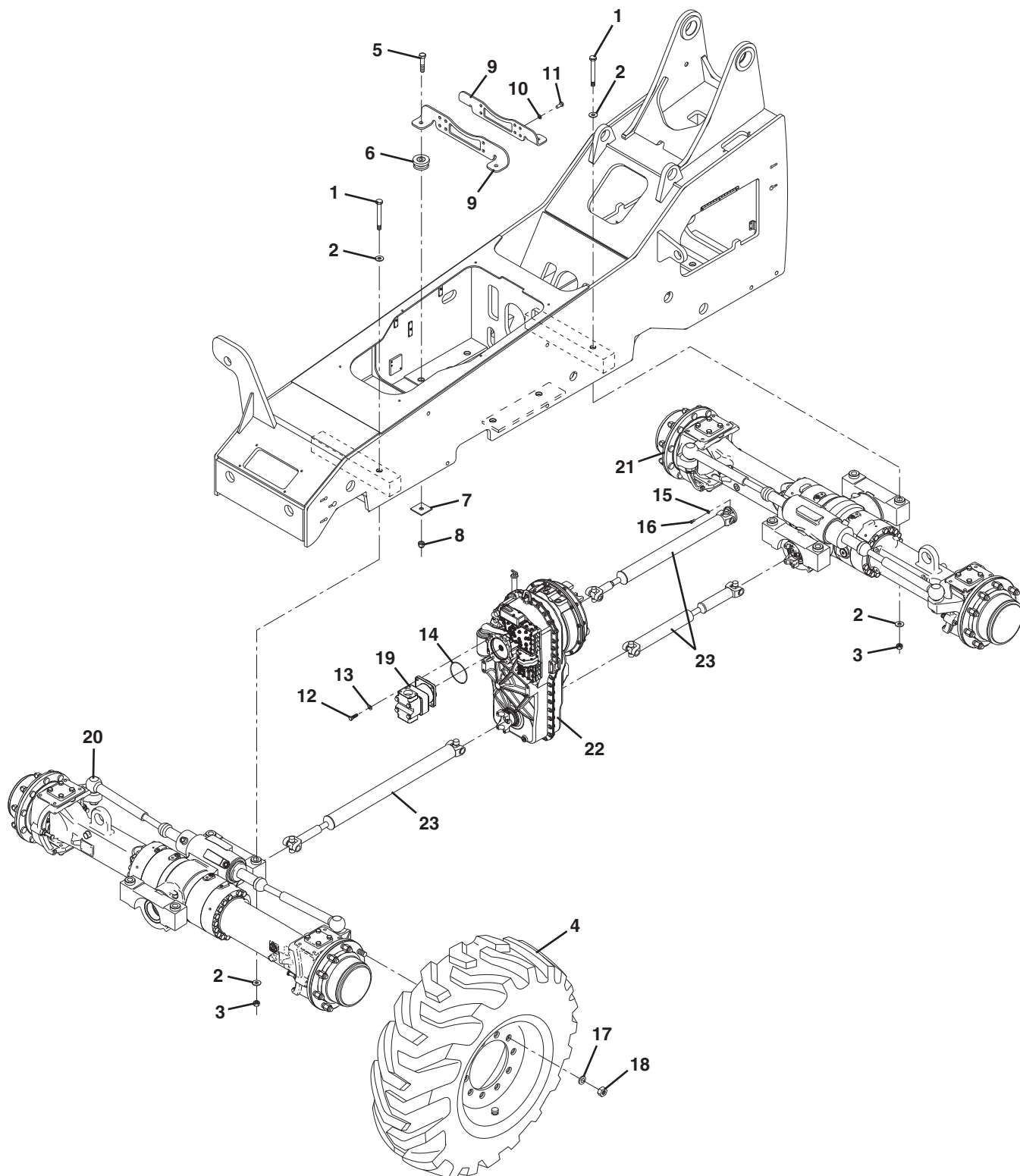
# SECTION 5 DRIVE TRAIN





# DRIVE TRAIN

Figure 5-1 Drive Train Components



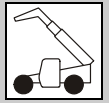


Figure 5-1 Drive Train Components

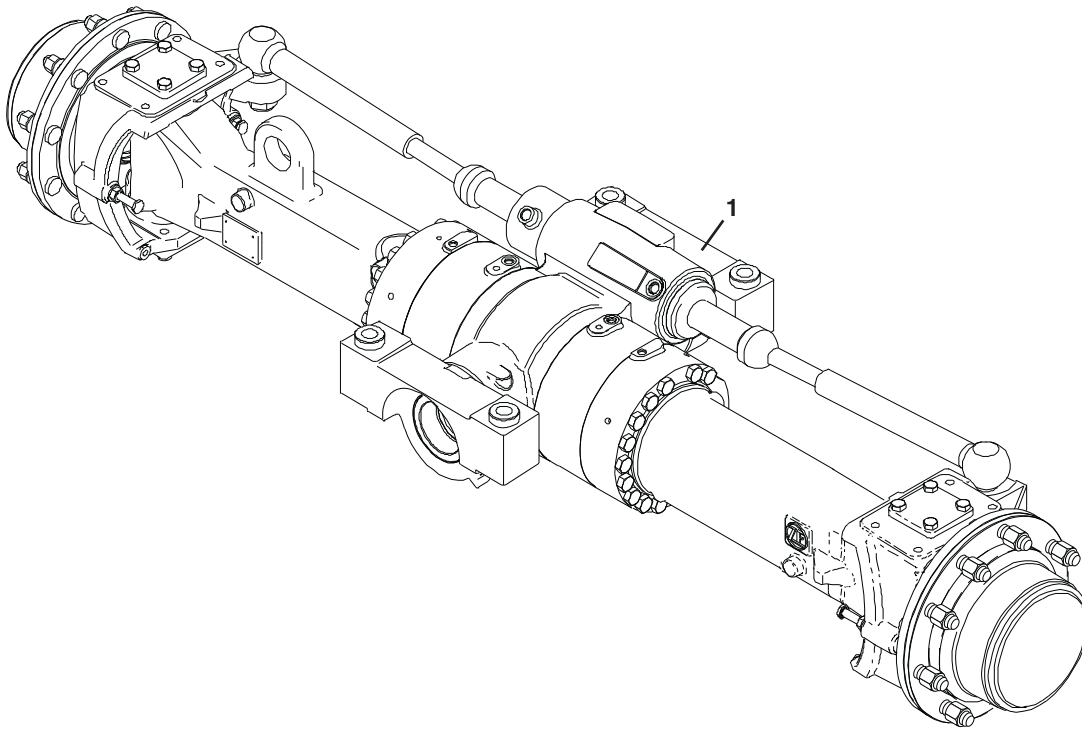
Item	Part Number	Qty.	Description	Rev.
1	8310479	8	HEX HD CAPSCREW, 1-8X11	
2	8310061	16	HARDENED WASHER, 1 OD	
3	8310481	8	HEX LOCKNUT, 1-8, (torque to 500-560 lb-ft)	
4		Ref	TIRE & RIM ASSY, (see Figure 5-34 & Figure 5-35 for details)	
5	8303724	4	HEX HD CAPSCREW, 3/4-10X3-1/2, GR5, (torque to 210 lb-ft)	
6	8278007	4	RUBBER MOUNT	
7	7054351	4	REBOUND WASHER	
8	8310067	4	HEX LOCKNUT, 3/4-10	
9	7138634	2	TRANSMISSION MOUNT BRACKET	
10	8307049	8	LOCKWASHER, M16, (mount bracket to transmission)	
11	8310215	8	HEX HD CAPSCREW, M16X2X40mm, PC8.8, (torque to 148 lb-ft), (mount bracket to transmission)	
12	8303519	4	HEX HD CAPSCREW, M12X1.75X35mm, PC8.8, (torque to 58-70 lb-ft)	
13	8310356	4	HARDENED WASHER, 12mm	
14	8630019	1	O-RING	
15	8307006	4	LOCKWASHER, .438	
16	8310425	4	HEX HD CAPSCREW, .438-20X2.25, GR8	
17	8786573	32	SPRING WASHER, <b>(Before S/N 0160038919 excluding 0160033533)</b>	
	8786573	40	SPRING WASHER, <b>(not required with Firestone 370/75-28), (S/N 0160038919 &amp; After including 0160033533)</b>	
18	8786572	32	WHEEL NUT, (torque to 425-450 lb-ft), <b>(Before S/N 0160038919 excluding 0160033533)</b>	
	8786572	40	WHEEL NUT, (torque to 425-450 lb-ft), <b>(S/N 0160038919 &amp; After including 0160033533)</b>	
	91403193	40	WHEEL NUT, (torque to 430-470 lb-ft), <b>(if equipped with Firestone 370/75-28), (S/N 0160038919 &amp; After including 0160033533)</b>	
19		Ref	GEAR PUMP, (see Figure 9-7 for details)	
20		Ref	FRONT AXLE, (see Figure 5-2 for details)	
21		Ref	REAR AXLE, (see Figure 5-10 for details)	
22		Ref	ZF TRANSMISSION, (see Figure 5-18 for details)	
23		Ref	DRIVE SHAFTS, (see Figure 5-33 for details)	



**DRIVE TRAIN**

**Figure 5-2 Front Axle**

---



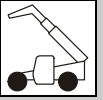
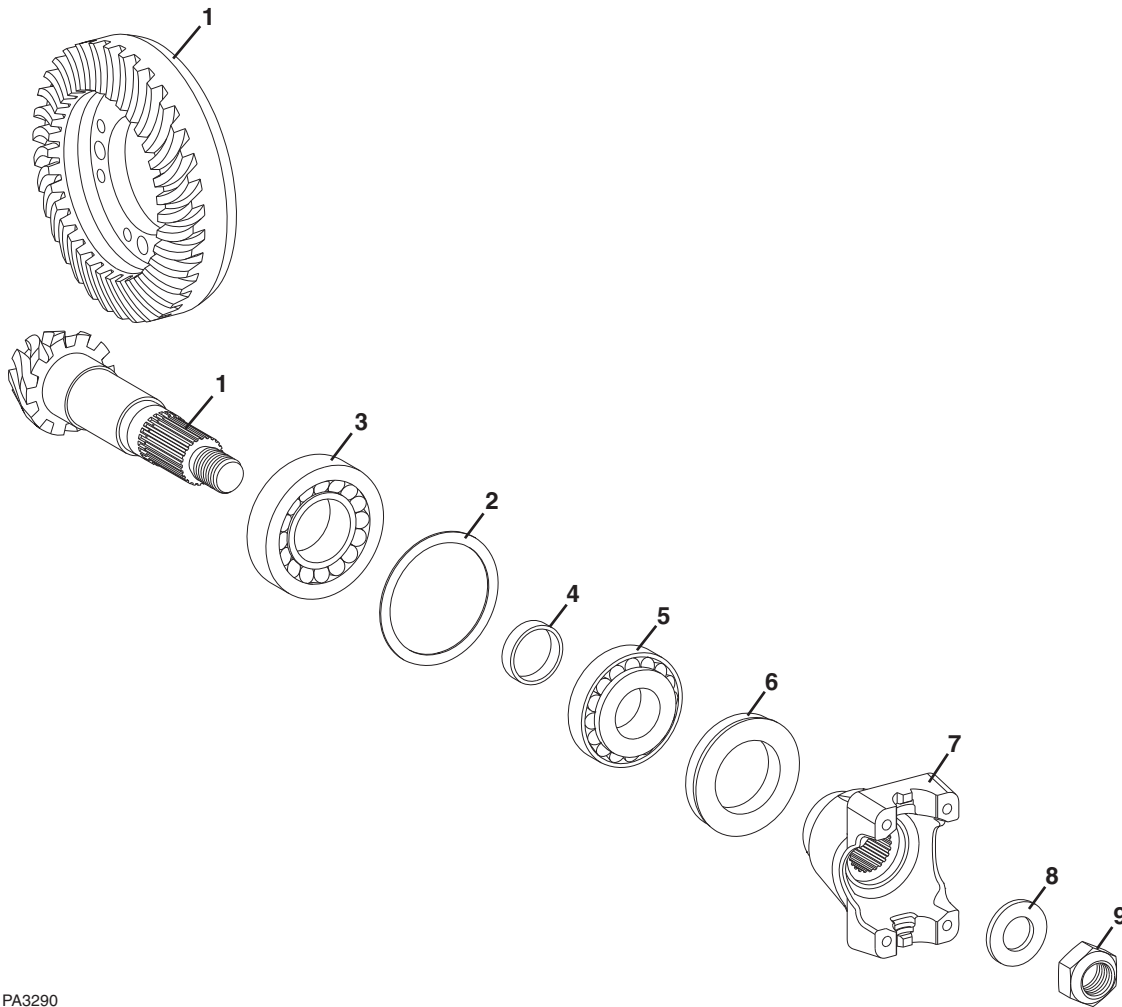


Figure 5-2 Front Axle

Item	Part Number	Qty.	Description	Rev.
1	8040267	1	FRONT AXLE, (Before S/N 0160038919 excluding 0160033533)	G
	1001103625	1	FRONT AXLE, (S/N 0160038919 & After including 0160033533)	D
		Ref	INPUT, (see Figure 5-3 for details)	
		Ref	LIMITED SLIP DIFFERENTIAL, (see Figure 5-4 for details)	
		Ref	AXLE CASING, (see Figure 5-5 for details)	
		Ref	M-DISK BRAKE, (see Figure 5-6 for details)	
		Ref	BRAKE, (see Figure 5-7 for details)	
		Ref	JOINT HOUSING, (see Figure 5-8 for details)	
		Ref	PLANETARY DRIVE, (see Figure 5-9 for details)	



**Figure 5-3 Front Axle - Input**



PA3290

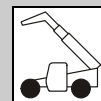


Figure 5-3 Front Axle - Input

Item	Part Number	Qty.	Description	Rev.
1	8036424	1	BEVEL GEAR SET	
2	1319333	1	SHIM, S=1.0	
	1319334	1	SHIM, S=0.05	
	1319335	1	SHIM, S=1.1	
	1319336	1	SHIM, S=1.15	
	1319337	1	SHIM, S=1.2	
	8035876	1	SHIM, S=1.25	
	8035877	1	SHIM, S=1.3	
	1321187	1	SHIM, S=1.35	
	1319341	1	SHIM, S=1.4	
	1319342	1	SHIM, S=01.45	
	1319343	1	SHIM, S=01.5	
	1319344	1	SHIM, S=01.55	
	1319345	1	SHIM, S=01.6	
	1319346	1	SHIM, S=0.9	
	1319347	1	SHIM, S=0.95	
	1319348	1	SHIM, S=0.65	
	1319349	1	SHIM, S=0.70	
	1319350	1	SHIM, S=0.75	
	1319351	1	SHIM, S=0.85	
	1319352	1	SHIM, S=0.80	
3	1319353	1	ROLLER BEARING	
4	1319354	1	RING, S=15.1	
	1319355	1	RING, S=15.2	
	1319356	1	RING, S=15.3	
	1319357	1	RING, S=15.4	
	1319358	1	RING, S=15.5	
	1319359	1	RING, S=15.6	
	1319360	1	RING, S=15.7	
	1319361	1	RING, S=15.8	
	1319362	1	RING, S=15.9	
	1319363	1	RING, S=16.0	
	1319364	1	RING, S=16.1	
	1319365	1	RING, S=16.2	
	1319366	1	RING, S=16.3	
	1319367	1	RING, S=16.4	
	8035982	1	RING, S=16.26	
	1319369	1	RING, S=16.23	
	1319370	1	RING, S=16.16	
	1319371	1	RING, S=16.13	
	1319372	1	RING, S=16.06	
	1319373	1	RING, S=16.03	
	1319374	1	RING, S=15.96	
	1319375	1	RING, S=15.93	
	1319376	1	RING, S=15.86	
	1319377	1	RING, S=15.83	
	1319378	1	RING, S=15.76	
	1319379	1	RING, S=15.73	
	1319380	1	RING, S=15.66	

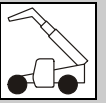


## DRIVE TRAIN

Before S/N 0160038919  
excluding 0160033533

Figure 5-3 Front Axle - Input (Continued)

Item	Part Number	Qty.	Description	Rev.
	1319381	1	RING, S=15.63	
	1319382	1	RING, S=15.56	
	1319383	1	RING, S=15.53	
	1319384	1	RING, S=15.46	
	1319385	1	RING, S=15.43	
	1319386	1	RING, S=15.36	
	1319387	1	RING, S=15.33	
	1319388	1	RING, S=15.26	
	1319380	1	RING, S=15.66	
	1319390	1	RING, S=15.48	
	1319391	1	RING, S=15.58	
	1319392	1	RING, S=15.68	
	1319393	1	RING, S=15.69	
	1319394	1	RING, S=15.72	
	1319395	1	RING, S=15.78	
	1319396	1	RING, S=15.81	
	1319397	1	RING, S=15.84	
	1319398	1	RING, S=15.88	
	1319399	1	RING, S=15.89	
	1319400	1	RING, S=15.91	
	1319401	1	RING, S=15.94	
	1319402	1	RING, S=15.97	
5	1319444	1	ROLLER BEARING	
6	1321211	1	SHAFT SEAL	
7	1321237	1	END YOKE	
8	1319406	1	WASHER	
9	8035983	1	HEX NUT	

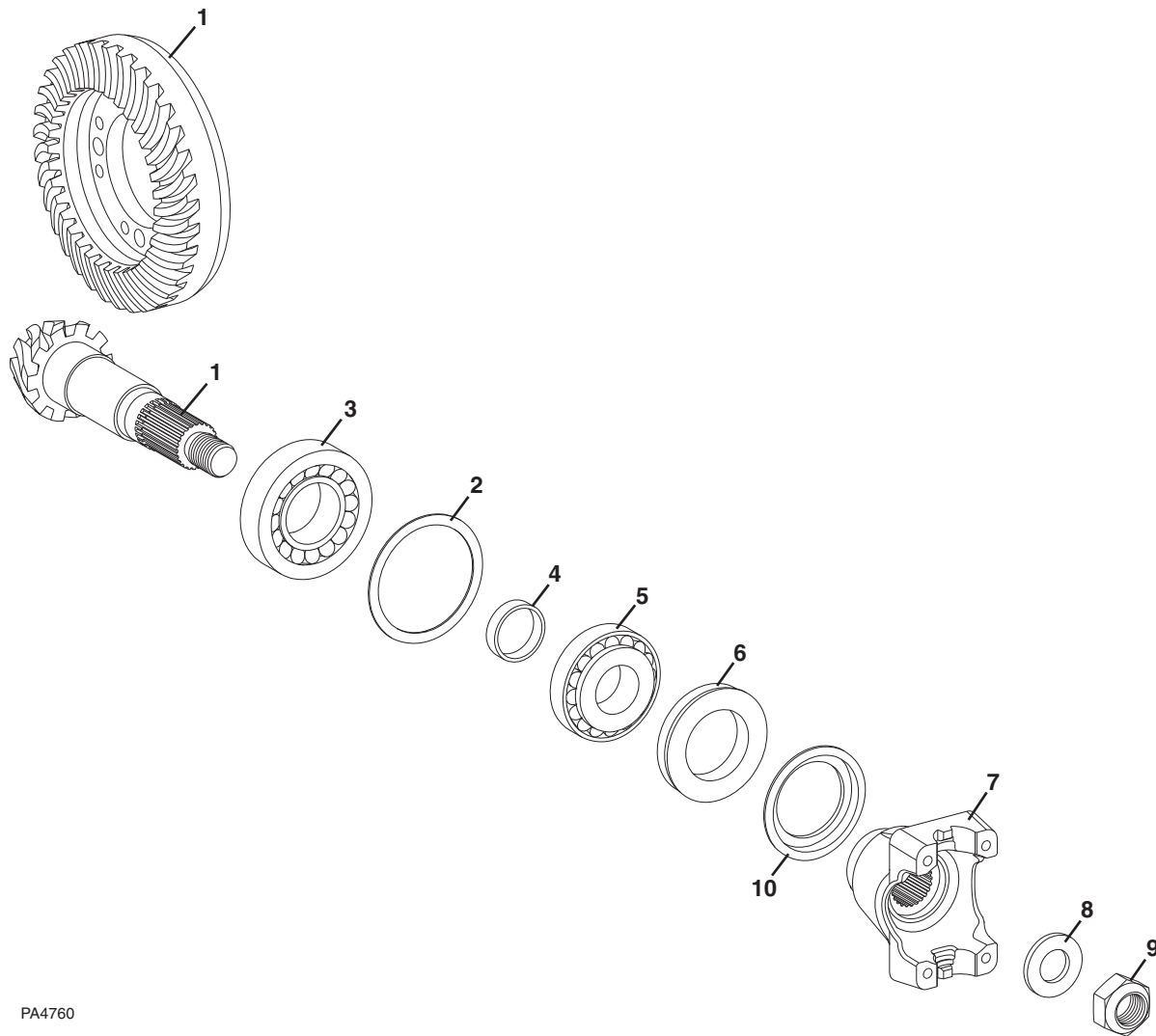


**Figure 5-3 Front Axle - Input (Continued)**

Item	Part Number	Qty.	Description	Rev.



Figure 5-3 Front Axle - Input



PA4760

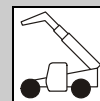


Figure 5-3 Front Axle - Input

Item	Part Number	Qty.	Description	Rev.
1	70022774	1	BEVEL GEAR	
	70022775	1	PINION	
2	80304169	1	SHIM, S=1.85	
	80304147	1	SHIM, S=1.9	
	80304160	1	SHIM, S=0.1	
	80304159	1	SHIM, S=0.2	
	80304158	1	SHIM, S=0.3	
	80304157	1	SHIM, S=0.5	
	80304156	1	SHIM, S=0.6	
	80304162	1	SHIM, S=0.65	
	80304155	1	SHIM, S=0.7	
	80304161	1	SHIM, S=0.75	
	80304154	1	SHIM, S=0.8	
	80304153	1	SHIM, S=0.9	
	80304152	1	SHIM, S=1.0	
	80304146	1	SHIM, S=1.2	
	80304163	1	SHIM, S=1.25	
	80304151	1	SHIM, S=1.3	
	80304164	1	SHIM, S=1.35	
	80304150	1	SHIM, S=1.4	
	80304165	1	SHIM, S=1.45	
	80304145	1	SHIM, S=1.5	
80304166	1	SHIM, S=1.55		
80304149	1	SHIM, S=1.6		
80304167	1	SHIM, S=1.65		
80304148	1	SHIM, S=1.7		
80304168	1	SHIM, S=1.75		
80304144	1	SHIM, S=1.8		
3	80304047	1	ROLLER BEARING	
4	80304088	1	RING, S=16.0	
	80304089	1	RING, S=16.1	
	80304090	1	RING, S=16.2	
	80304091	1	RING, S=16.3	
	80304092	1	RING, S=16.4	
	80304093	1	RING, S=16.5	
	80304110	1	RING, S=16.56	
	80304094	1	RING, S=16.6	
	80304111	1	RING, S=16.62	
	80304112	1	RING, S=16.64	
	80304124	1	RING, S=16.66	
	80304113	1	RING, S=16.68	
	80304095	1	RING, S=16.7	
	70022216	1	RING, S=16.72	
	80304115	1	RING, S=16.74	
	80304117	1	RING, S=16.76	
80304118	1	RING, S=16.78		
80304096	1	RING, S=16.8		
80304119	1	RING, S=16.82		
80304120	1	RING, S=16.84		

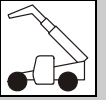


## DRIVE TRAIN

S/N 0160038919 & After  
including 0160033533

Figure 5-3 Front Axle - Input (Continued)

Item	Part Number	Qty.	Description	Rev.
	80304104	1	RING, S=16.86	
	80304121	1	RING, S=16.88	
	80304122	1	RING, S=16.9	
	80304097	1	RING, S=16.92	
	80304123	1	RING, S=16.94	
	80304125	1	RING, S=16.96	
	80304107	1	RING, S=16.98	
	80304126	1	RING, S=17.0	
	80304127	1	RING, S=17.02	
	80304108	1	RING, S=17.04	
	80304128	1	RING, S=17.06	
	80304129	1	RING, S=17.08	
	80304099	1	RING, S=17.10	
	80304130	1	RING, S=17.12	
	80304131	1	RING, S=17.14	
	80304132	1	RING, S=17.16	
	80304133	1	RING, S=17.18	
	80304100	1	RING, S=17.2	
	80304134	1	RING, S=17.22	
	80304135	1	RING, S=17.24	
	80304136	1	RING, S=17.26	
	80304137	1	RING, S=17.28	
	80304101	1	RING, S=17.3	
	80304102	1	RING, S=17.4	
5	1319353	1	ROLLER BEARING	
6	70022220	1	SHAFT SEAL	
7	70022245	1	END YOKE	
8	80304082	1	WASHER	
9	70022213	1	HEX NUT	
10	70022776	1	SCREEN SHEET	

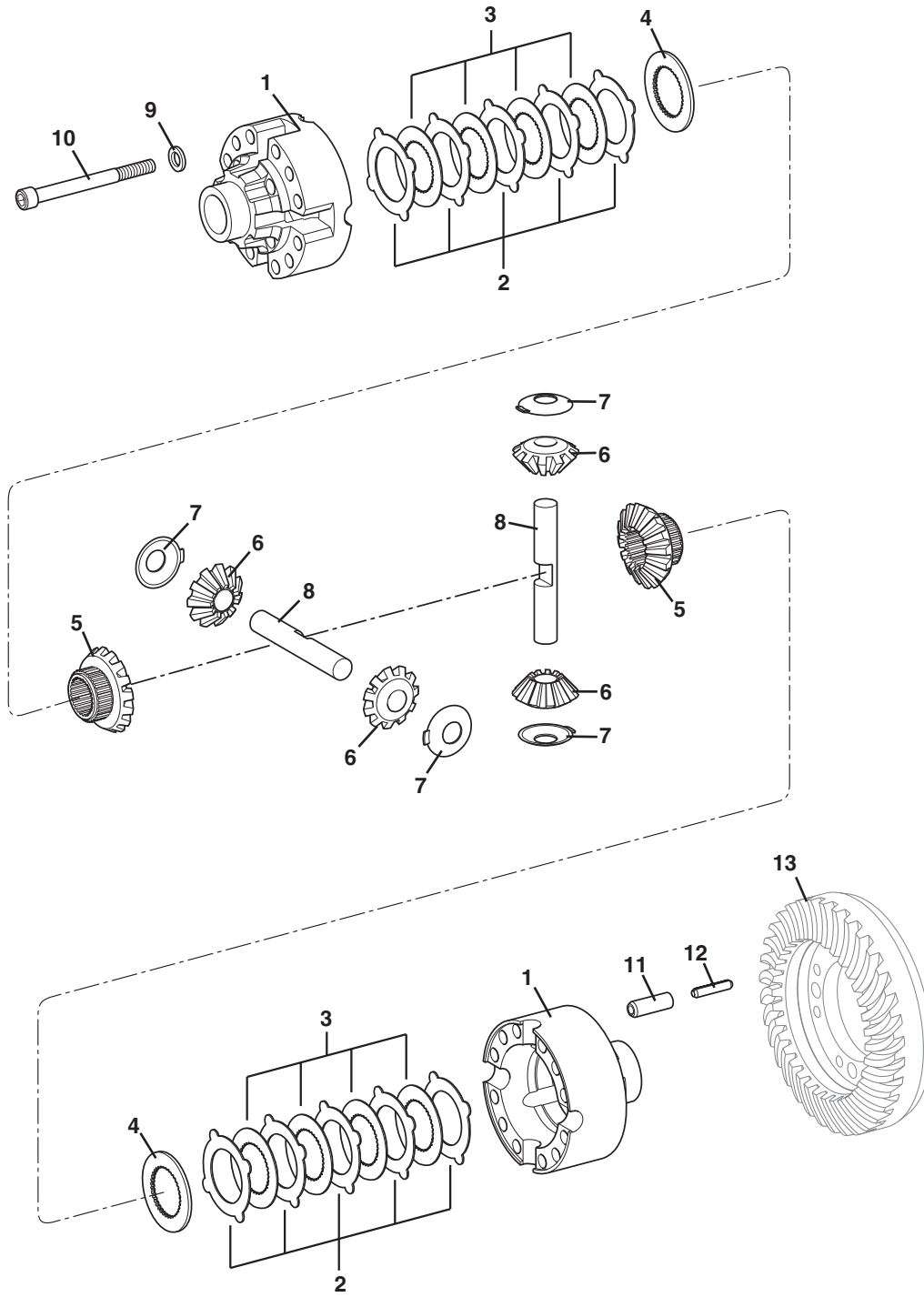


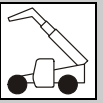
**Figure 5-3 Front Axle - Input (Continued)**

Item	Part Number	Qty.	Description	Rev.



Figure 5-4 Front Axle - Limited Slip Differential



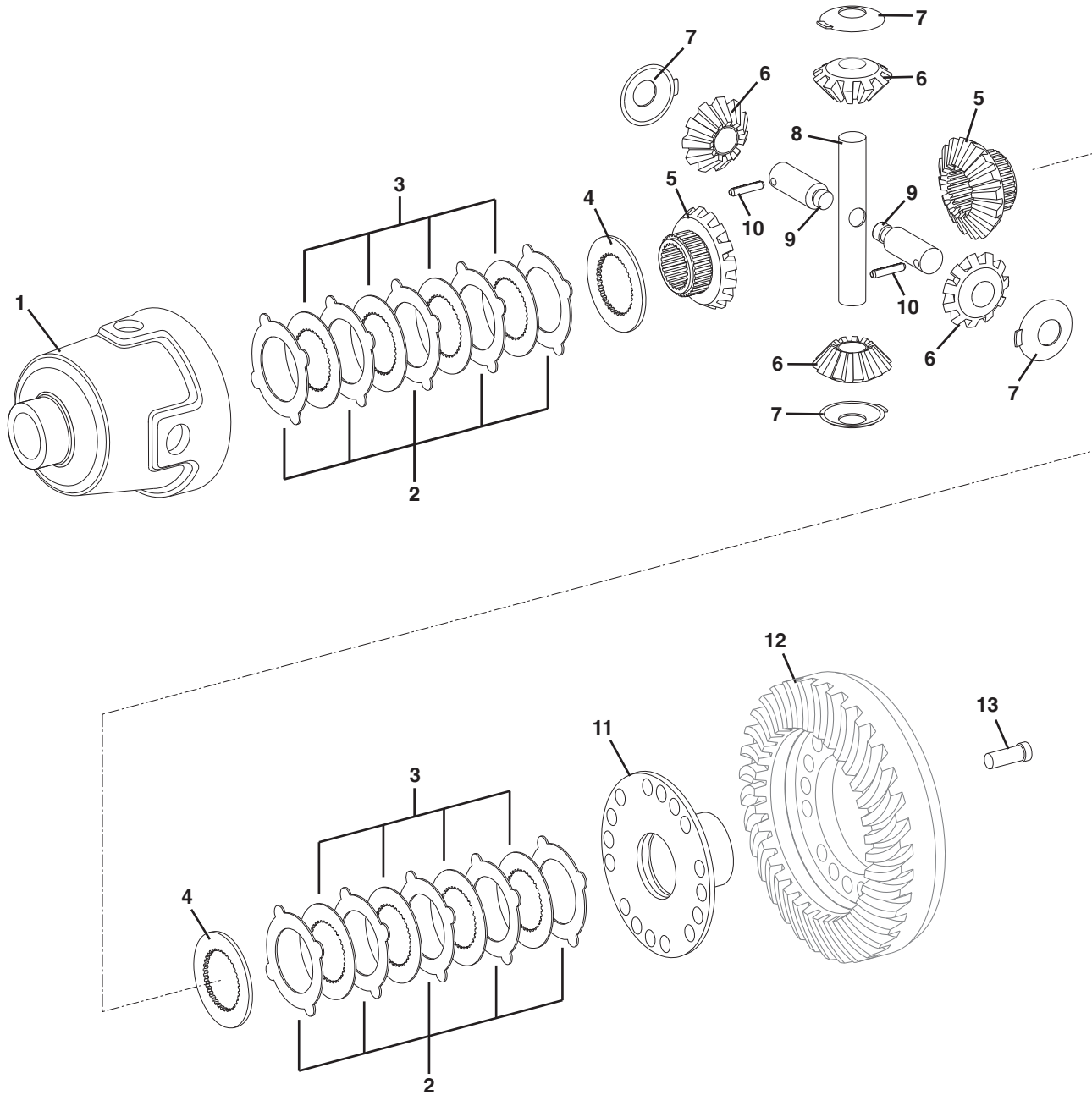


**Figure 5-4 Front Axle - Limited Slip Differential**

Item	Part Number	Qty.	Description	Rev.
1	NSS	1	DIFFERENTIAL CASE	
2	1321219	10	O.CLUTCH DISC, A=1.2	
	1321220	10	O.CLUTCH DISC, A=1.3	
	1321221	10	O.CLUTCH DISC, A=1.4	
3	8036426	8	I.CLUTCH DISC	
4	1321217	2	PRESSURE DISC	
5	8036427	2	AXLE BEVEL GEAR	
6	1321262	4	DIFFERENTIAL BEVEL GEAR	
7	1321188	4	THRUST WASHER	
8	1321224	2	DIFFERENTIAL AXLE	
9	1321184	12	WASHER	
10	8035985	12	CAPSCREW	
11	1321153	4	SLOTTED PIN	
12	1321154	4	SLOTTED PIN	
13		Ref	BEVEL GEAR SET, (see Figure 5-3 for details)	



Figure 5-4 Front Axle - Limited Slip Differential



PA3301

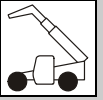


Figure 5-4 Front Axle - Limited Slip Differential

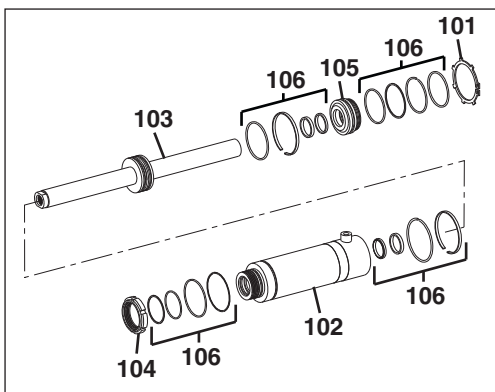
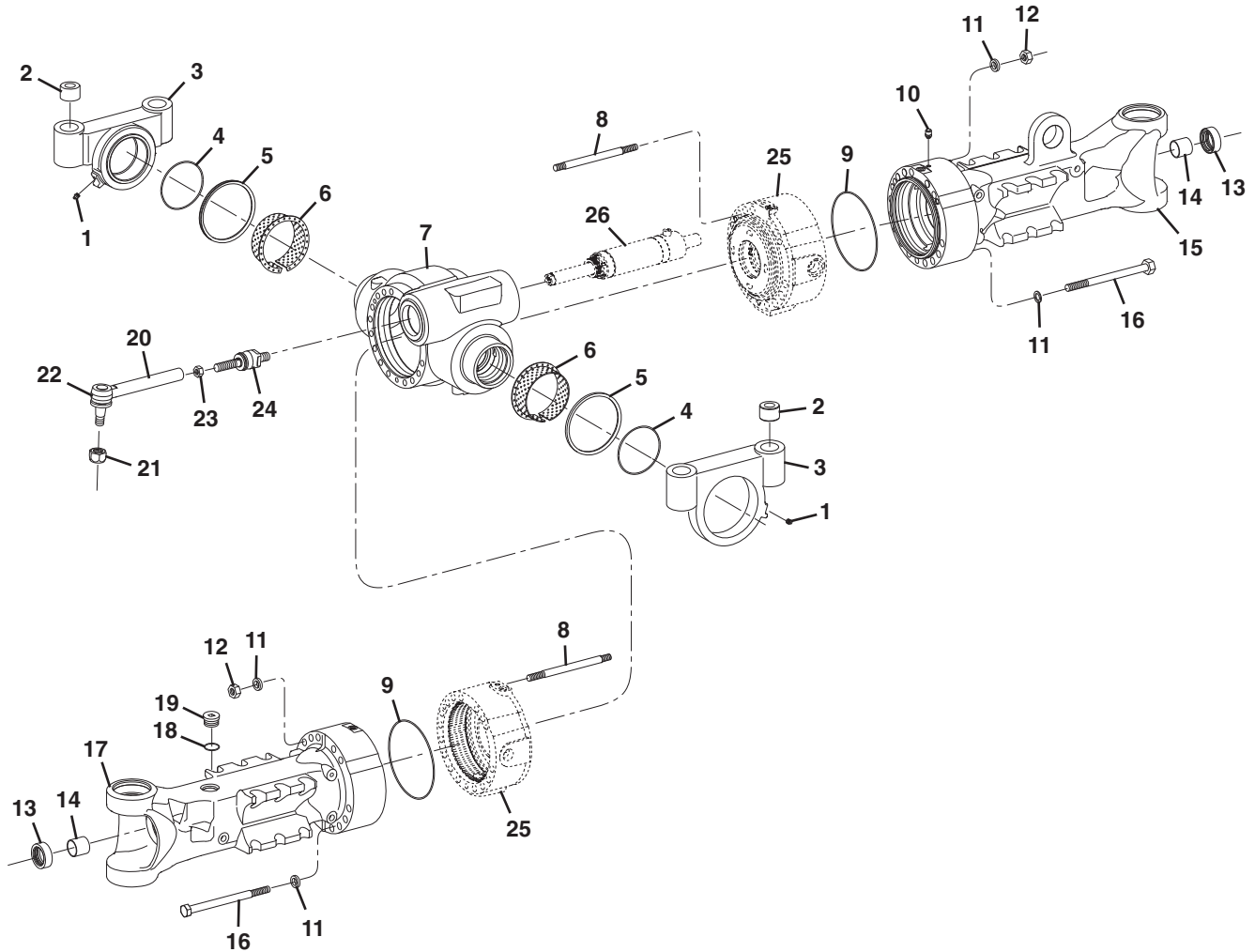
Item	Part Number	Qty.	Description	Rev.
1	70022226	1	DIFFERENTIAL CASE	
2	70022263	AR	O.CLUTCH DISC, A=1.2	
	70022264	AR	O.CLUTCH DISC, A=1.3	
3	70022260	8	I.CLUTCH DISC	
4	70022261	2	PRESSURE DISC	
5	70022225	2	AXLE BEVEL GEAR	
6	70022185	4	DIFFERENTIAL BEVEL GEAR	
7	70022262	4	THRUST WASHER	
8	70022227	1	DIFFERENTIAL AXLE	
9	70022228	2	DIFFERENTIAL AXLE	
10	70022200	2	SLOTTED PIN	
11	70022229	1	COVER	
12		Ref	BEVEL GEAR, (see Figure 5-3 for details)	
13	70022211	16	CAP SCREW, M12X1.5X35	



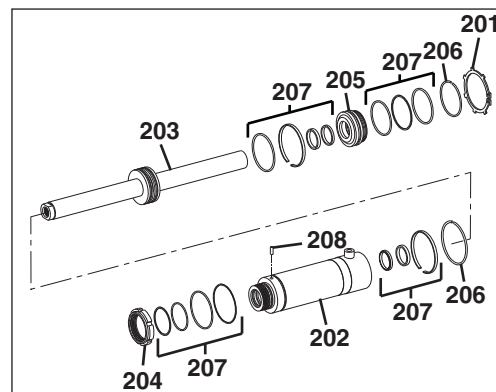
**DRIVE TRAIN**

Before S/N 0160038919  
excluding 0160033533

**Figure 5-5 Front Axle - Axle Casing**



BEFORE AXLE S/N 829694



AXLE S/N 829694 & AFTER

PU1983

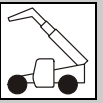


Figure 5-5 Front Axle - Axle Casing

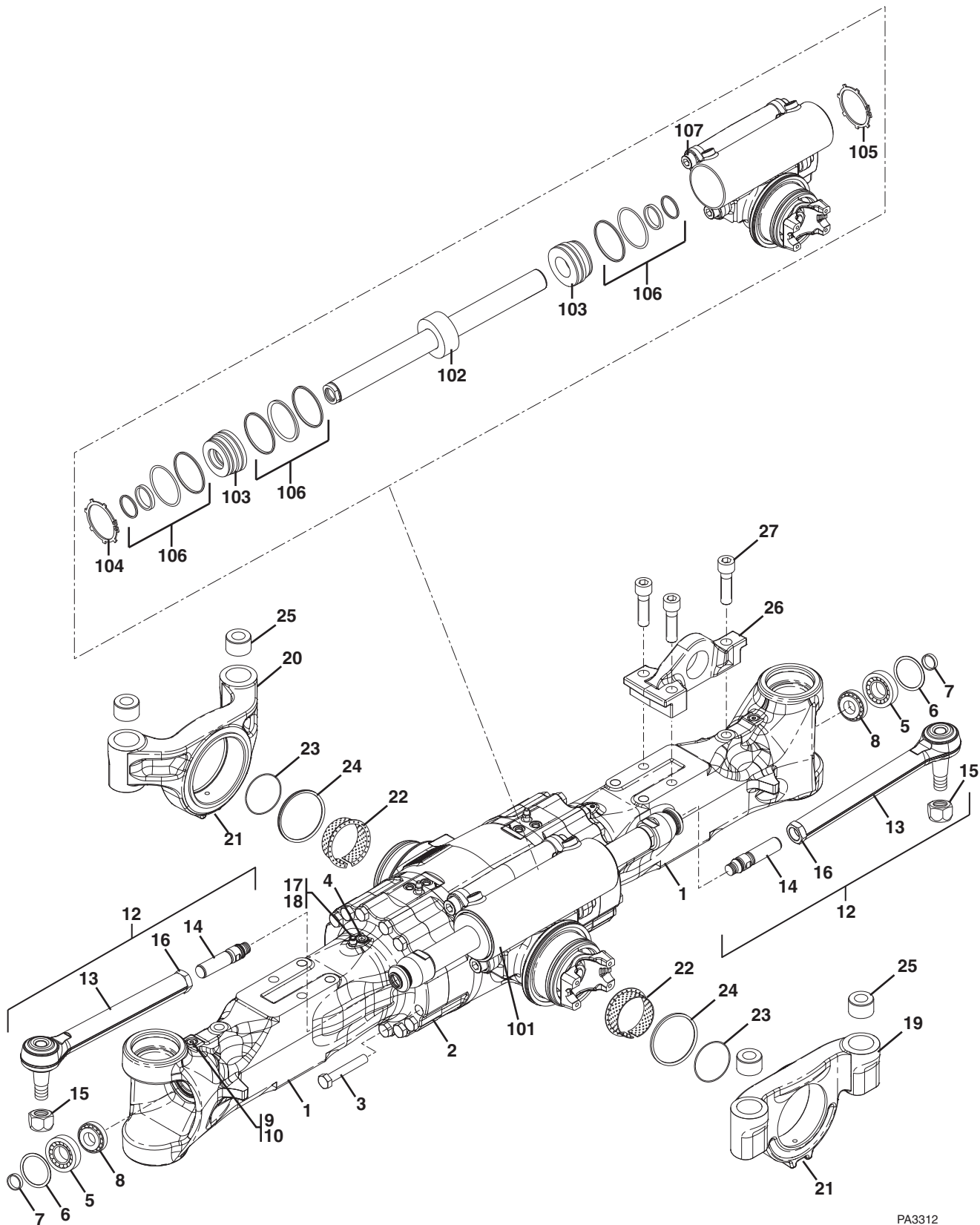
Item	Part Number	Qty.	Description	Rev.
1	1319423	2	GREASE FITTING	
2	1319441	4	CENTERING BUSHING	
3	8035933	2	BRACKET	
4	1319439	2	O-RING	
5	1319440	2	V-RING	
6	1319438	2	FLANGE BUSHING	
7	8036336	1	AXLE DRIVE HOUSING	
8	8036313	8	STUD	
9	1319425	2	O-RING	
10	1319436	1	BREATHER	
11	8036312	30	WASHER	
12	1319429	8	HEX NUT	
13	1319434	2	SHAFT SEAL	
14	1319433	2	BUSHING	
15	8036430	1	RIGHT FRONT AXLE CASING	
16	8035927	22	HEX SCREW	
17	8036431	1	LEFT FRONT AXLE CASING	
18	8036314	1	O-RING	
19	1319506	1	SCREW PLUG	
20	1321148	2	AXIAL JOINT COUPLING ASSY, (includes items 21 thru 24)	
21	8035931	2	LOCKING NUT	
22	8035929	2	BALL JOINT WITH PIPE COUPLING	
23	8035932	2	HEX NUT	
24	8036315	2	AXIAL JOINT COUPLING	
25		Ref	BRAKE HOUSING, (see Figure 5-6 for details)	
26	1321149	Ref	STEERING CYLINDER, ( <b>Before Axle S/N 829694</b> ), (no longer available, use 70021617 for replacement or items 101 thru 106 for service)	
	70021617	1	STEERING CYLINDER, ( <b>Axle S/N 829694 &amp; After</b> ), (includes items 201 thru 208)	
101	NSS	1	L-RING, (no longer available, use 70021617 for replacement)	
102	NSS	1	TUBE WELDMENT, (no longer available, use 70021617 for replacement)	
103	NSS	1	PISTON ROD, (no longer available, use 70021617 for replacement)	
104	8035998	1	SLOTTED NUT	
105	NSS	1	GUIDE PIECE, (no longer available, use 70021617 for replacement)	
106	8035981	1	SEAL KIT	
201	70021571	1	L-RING	
202	NSS	1	CYLINDER TUBE	
203	70021568	1	PISTON ROD	
204	70021570	1	SLOTTED NUT	
205	70021569	1	GUIDE PIECE	
206	70021726	2	RETAINING RING	
207	70021495	1	SEAL KIT	
208	70022610	1	SLOTTED PIN	



**DRIVE TRAIN**

S/N 0160038919 & After  
including 0160033533

**Figure 5-5 Front Axle - Axle Casing**



PA3312

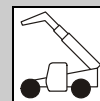
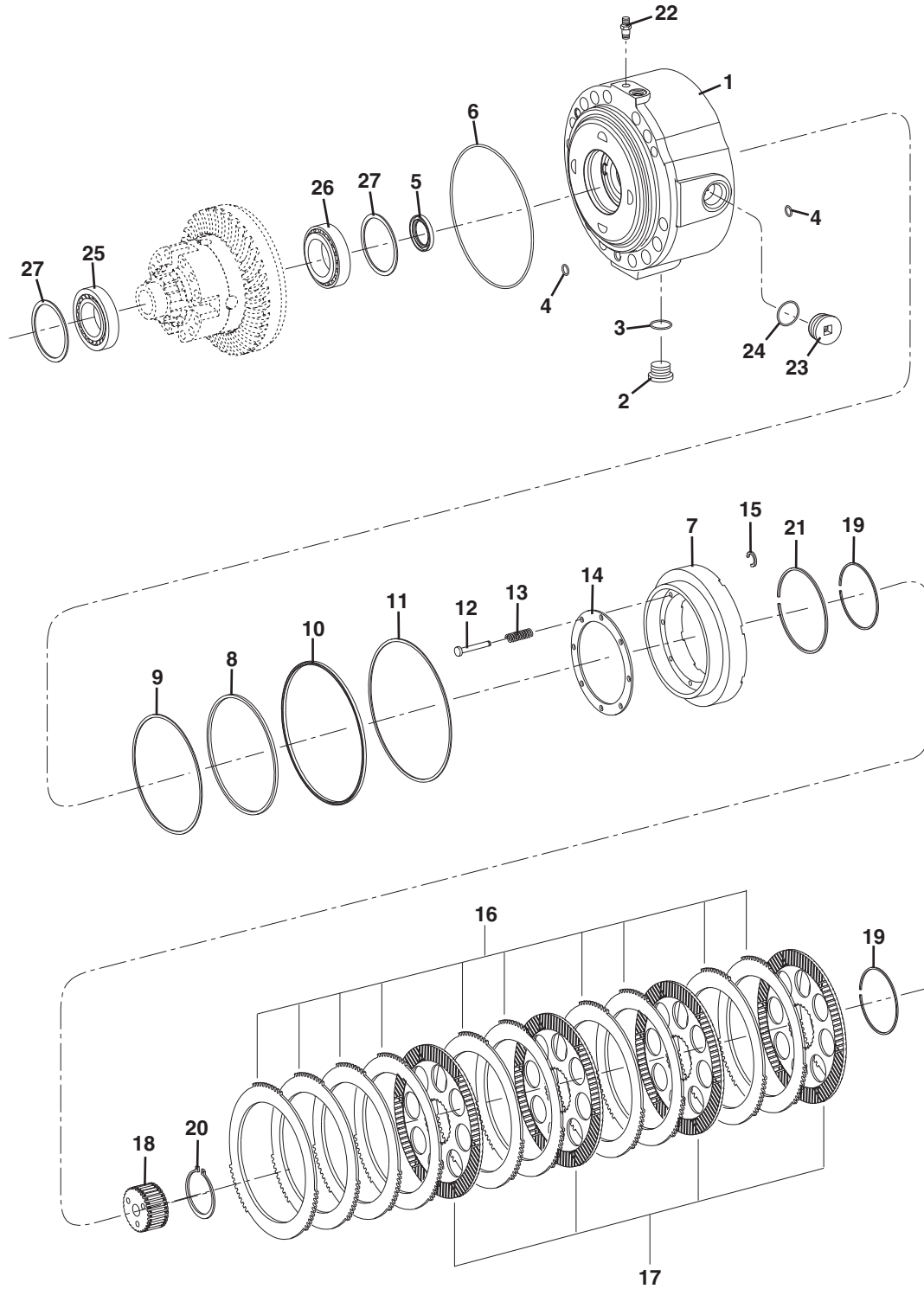


Figure 5-5 Front Axle - Axle Casing

Item	Part Number	Qty.	Description	Rev.
1	70022255	2	AXLE CASING	
2	70022259	1	AXLE DRIVE HOUSING	
3	70022206	28	HEX HD CAPSCREW, M18X180	
4	1319578	4	SCREW PLUG	
5	70022241	2	BUSHING	
6	70022204	2	O-RING	
7	70022217	2	RING	
8	10731790	2	BEARING	
9	70022201	2	SET SCREW, M10X1X16	
10	70022777	2	SCREW PLUG	
12	70022174	2	TIE ROD, (includes items 13 thru 16)	
13	70022175	1	BALL JOINT	
14	70022172	1	AXIAL JOINT	
15	8036758	1	LOCKNUT	
16	8036759	1	HEX NUT	
17	1319436	1	BREATHER	
18	8036418	1	SCREW PLUG	
19	70022246	1	BRACKET	
20	70022247	1	BRACKET	
21	1319423	2	GREASE FITTING	
22	70022182	2	FLANGE BUSHING	
23	70022205	2	O-RING	
24	70022219	2	V-RING	
25	1319441	4	BUSHING	
26	70022254	1	BRACKET	
27	1001103619	3	HEX HD CAPSCREW, M22X1.5X80	
101	70022173	1	STEERING CYLINDER, (includes items 102 thru 106)	
102	70022177	1	PISTON ROD	
103	70022184	2	BREAK HEAD	
104	70022181	2	RETAINING RING	
105	70022180	2	RETAINING RING	
106	70022178	1	SEAL KIT	
107	70022789	4	CAPSCREW, M22X1.5X55	



Figure 5-6 Front Axle - M-Disk Brake



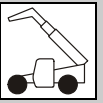
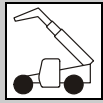


Figure 5-6 Front Axle - M-Disk Brake

Item	Part Number	Qty.	Description	Rev.
1	8035936	Ref	BRAKE HOUSING, (right side), <b>(Before Axle S/N 675668)</b> , (see note N1)	
	70020483	1	BRAKE HOUSING, (right side), <b>(Axle S/N 675668 &amp; After)</b>	
	8035939	Ref	BRAKE HOUSING, (left side), <b>(Before Axle S/N 675668)</b> , (see note N1)	
	70020484	1	BRAKE HOUSING, (left side), <b>(Axle S/N 675668 &amp; After)</b>	
2	1319431	2	SCREW PLUG	
3	8036303	2	O-RING	
4	1319491	12	O-RING	
5	1321161	2	SHAFT SEAL	
6	1319425	2	O-RING	
7	8036304	2	PISTON	
8	1321162	2	U-RING	
9	1321151	2	SUPPORT RING	
10	1321163	2	U-RING	
11	1321152	2	SUPPORT RING	
12	1319496	16	PIN	
13	1319497	16	COMPRESSION SPRING	
14	8036305	2	WASHER	
15	1319499	16	CRESCENT RING	
16	1319500	4	O. CLUTCH DISC, S=2, <b>(Before Axle S/N 675668)</b>	
	70020485	4	O. CLUTCH DISC, S=2, <b>(Axle S/N 675668 &amp; After)</b>	
	1319501	4	O. CLUTCH DISC, S=2.5, <b>(Before Axle S/N 675668)</b>	
	70020486	4	O. CLUTCH DISC, S=2.5, <b>(Axle S/N 675668 &amp; After)</b>	
	1319502	4	O. CLUTCH DISC, S=3, <b>(Before Axle S/N 675668)</b>	
	70020487	4	O. CLUTCH DISC, S=3, <b>(Axle S/N 675668 &amp; After)</b>	
17	1321150	8	I.CLUTCH DISC, <b>(Before Axle S/N 823842)</b>	
	70020408	8	I.CLUTCH DISC, <b>(Axle S/N 823842 &amp; After)</b>	
18	1321174	2	DISC CARRIER, <b>(Before Axle S/N 823842)</b>	
	70020409	2	DISC CARRIER, <b>(Axle S/N 823842 &amp; After)</b>	
19	8036307	4	SNAP RING	
20	8036308	2	RETAINING RING	
21	1319504	2	SNAP RING	
22	1319505	2	VALVE VENT	
23	1319506	2	SCREW PLUG	
24	8036314	2	O-RING	
25	8036445	2	ROLLER BEARING	
26	8036447	2	ROLLER BEARING	
27	1319531	AR	SHIM, A=0.1	
	8035945	AR	SHIM, A=0.15	
	1319530	AR	SHIM, A=0.2	
	8035946	AR	SHIM, A=0.25	
	1319529	AR	SHIM, A=0.3	
	8035947	AR	SHIM, A=0.35	
	8035951	AR	SHIM, A=0.4	
	1319543	AR	SHIM, A=0.45	
	1319527	AR	SHIM, A=0.5	
	1321158	AR	SHIM, A=0.55	
	1319526	AR	SHIM, A=0.6	
1319532	AR	SHIM, A=0.65		
	1319533	AR	SHIM, A=0.70	

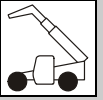


# DRIVE TRAIN

Before S/N 0160038919  
excluding 0160033533

### Figure 5-6 Front Axle - M-Disk Brake (Continued)

Item	Part Number	Qty.	Description	Rev.
	1319534	AR	SHIM, A=0.75	
	1319545	AR	SHIM, A=0.8	
	1319535	AR	SHIM, A=0.85	
	1319536	AR	SHIM, A=0.9	
	1319537	AR	SHIM, A=0.95	
	1319524	AR	SHIM, A=1.0	
	1319525	AR	SHIM, A=1.05	
	1319538	AR	SHIM, A=1.10	
	1319539	AR	SHIM, A=1.15	
	1319523	AR	SHIM, A=1.20	
	1319540	AR	SHIM, A=1.25	
	1319541	AR	SHIM, A=1.30	
	1319542	AR	SHIM, A=1.35	
	1319522	AR	SHIM, A=1.40	
	1319521	AR	SHIM, A=1.45	
	1319520	AR	SHIM, A=1.50	
	1319519	AR	SHIM, A=1.55	
	1319518	AR	SHIM, A=1.60	
	1319517	AR	SHIM, A=1.65	
	1319510	AR	SHIM, A=2.0	
	1321159	AR	SHIM, A=1.47	
	8035948	AR	SHIM, A=1.63	
	1319516	AR	SHIM, A=1.70	
	1319515	AR	SHIM, A=1.75	
	1319514	AR	SHIM, A=1.80	
	1319513	AR	SHIM, A=1.85	
	1319512	AR	SHIM, A=1.90	
	1319511	AR	SHIM, A=1.95	
N1	Note	Ref	<b>PARTS ARE NO LONGER AVAILABLE; ORDER BRAKE HOUSINGS 70020483 &amp; 70020484, QUANTITY REQUIRED OF OUTER DISCS 70020485, 70020486 &amp; 70020487, QUANTITY 2 OF 70020413 END PLATES</b>	

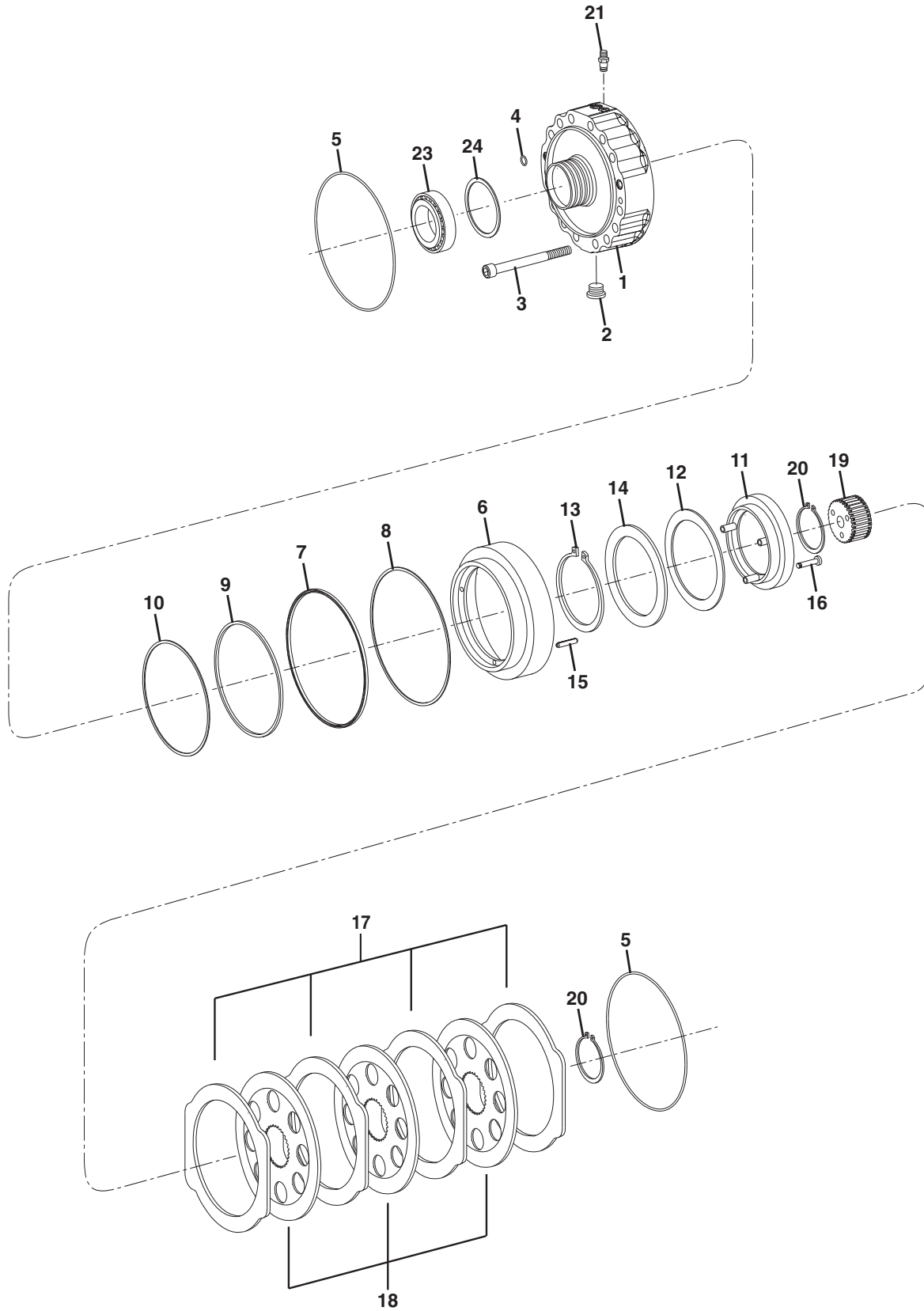


**Figure 5-6 Front Axle - M-Disk Brake (Continued)**

Item	Part Number	Qty.	Description	Rev.



Figure 5-6 Front Axle - M-Disk Brake



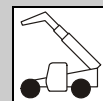
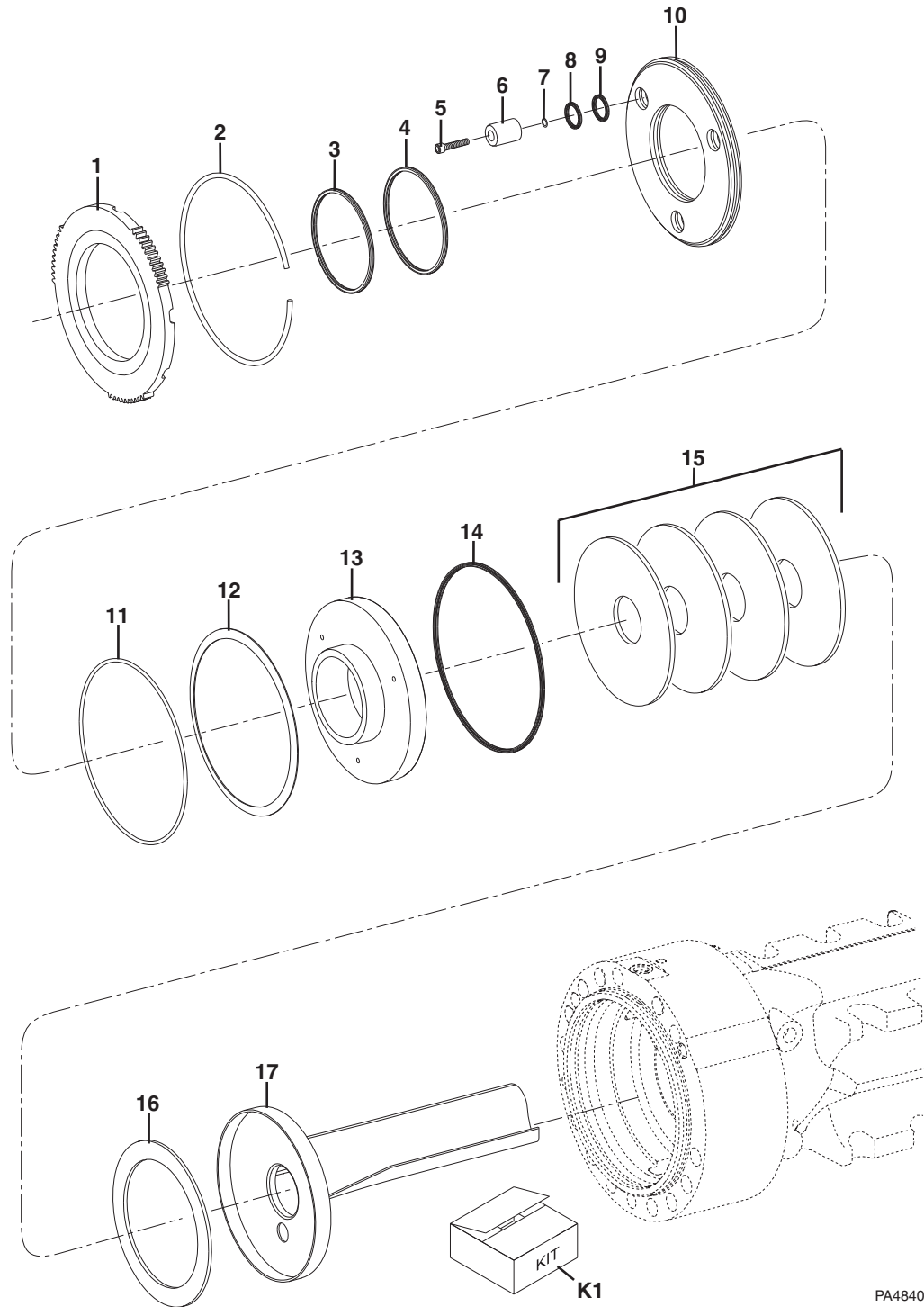


Figure 5-6 Front Axle - M-Disk Brake

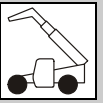
Item	Part Number	Qty.	Description	Rev.
1	70022778	2	BRAKE HOUSING	
2	1319578	2	SCREW PLUG	
3	70022209	6	CAP SCREW, M12X105	
4	70022779	10	O-RING	
5	80304462	4	O-RING	
6	70022250	2	PISTON	
7	70022190	2	PISTON PACKING	
8	70022193	2	BACKUP RING	
9	70022189	2	PISTON PACKING	
10	70022194	2	BACKUP RING	
11	70022236	2	RING	
12	70022183	2	CUP SPRING	
13	70022198	2	RETAINING RING	
14	70022235	2	WASHER	
15	70022186	2	SLOT PIN	
16	1319214	6	CAP SCREW, M8X40	
17	70022196	8	O.CLUTCH DISC	
18	70022176	6	I.CLUTCH DISC	
19	70022253	2	DISC CARRIER	
20	10731949	4	RETAINING RING	
21	70022171	2	BREATHER	
22	70022780	2	SCREW PLUG, (not shown)	
23	8036447	2	BEARING	
24	1319537	2	SHIM, A=0.95	
	1319545	2	SHIM, A=1.05	
	1319539	2	SHIM, A=1.15	
	1319540	2	SHIM, A=1.25	
	1319542	2	SHIM, A=1.35	



Figure 5-7 Front Axle - Brake



PA4840



**Figure 5-7 Front Axle - Brake**

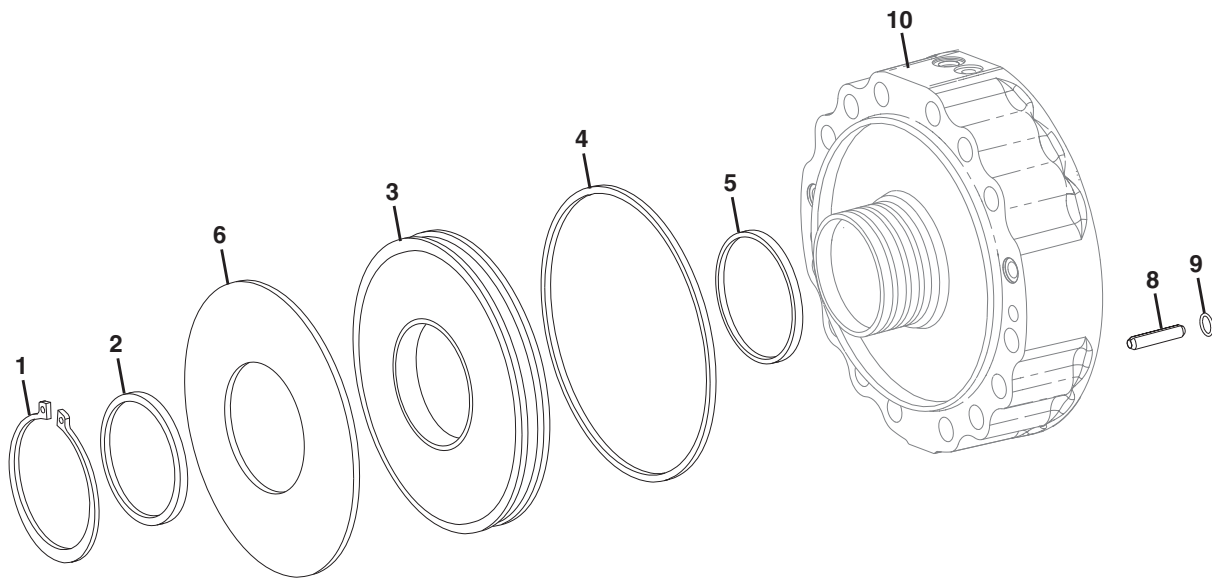
Item	Part Number	Qty.	Description	Rev.
1	8035952	Ref	END SHIM, <b>(Before Axle S/N 332590)</b> , (no longer available, use 7029104 kit for replacement)	
	8036848	2	END SHIM, <b>(Axle S/N 332590 thru Axle S/N 675668)</b>	
	70020143	2	END SHIM, <b>(Axle S/N 675668 &amp; After)</b>	
2	1321206	2	SNAP RING	
3	8036319	Ref	SUPPORT RING, <b>(Before Axle S/N 332590)</b> , (no longer available, use 7029104 kit for replacement)	
	8036855	2	BACKUP RING, <b>(Axle S/N 332590 &amp; After)</b>	
4	8036318	Ref	FOUR-LIP RING, <b>(Before Axle S/N 332590)</b> , (no longer available, use 7029104 kit for replacement)	
	8036854	2	U-RING, <b>(Axle S/N 332590 &amp; After)</b>	
5	8036321	6	CAPSCREW	
6	1321244	Ref	PRESSURE PIN, <b>(Before Axle S/N 332590)</b> , (no longer available, use 7029104 kit for replacement)	
	1321244	6	PRESSURE PIN, <b>(Axle S/N 332590 &amp; After)</b>	
7	8036322	Ref	SUPPORT RING, <b>(Before Axle S/N 332590)</b> , (no longer available, use 7029104 kit for replacement)	
	8036862	6	BACKUP RING, <b>(Axle S/N 332590 &amp; After)</b>	
8	8036859	6	O-RING	
9	1321181	Ref	FOUR-LIP RING, <b>(Before Axle S/N 332590)</b> , (no longer available, use 7029104 kit for replacement)	
	8036861	6	U-RING, <b>(Axle S/N 332590 &amp; After)</b>	
10	8036316	Ref	SEALING WASHER, <b>(Before Axle S/N 332590)</b> , (no longer available, use 7029104 kit for replacement)	
	8036849	2	SEALING WASHER, <b>(Axle S/N 332590 &amp; After)</b>	
11	8036320	2	O-RING	
12	1321208	2	CUP SPRING	
13	8036317	Ref	PISTON, <b>(Before Axle S/N 332590)</b> , (no longer available, use 7029104 kit for replacement)	
	7027212	2	PISTON, <b>(Axle S/N 332590 &amp; After)</b>	
14	1321180	Ref	FOUR-LIP RING, <b>(Before Axle S/N 332590)</b> , (no longer available, use 7029104 kit for replacement)	
	8036852	2	U-RING, <b>(Axle S/N 332590 &amp; After)</b>	
15	1321207	8	CUP SPRING	
16	8035958	2	SPACING WASHER	
17	1321172	Ref	OIL DAM, <b>(Before Axle S/N 332590)</b> , (no longer available, use 7029104 kit for replacement)	
	8036856	2	OIL DAM, <b>(Axle S/N 332590 &amp; After)</b>	
K1	7029104	AR	BRAKE SEAL KIT, <b>(Before Axle S/N 675668)</b> , (includes quantity of 1 each of items 1, 2, 3, 4, 10 thru 14, 17; quantity of 3 each of items 5 thru 9 and quantity of 1 of 1319425 o-ring)	



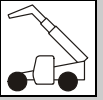
**DRIVE TRAIN**

S/N 0160038919 & After  
including 0160033533

**Figure 5-7 Front Axle - Brake**



PA3331

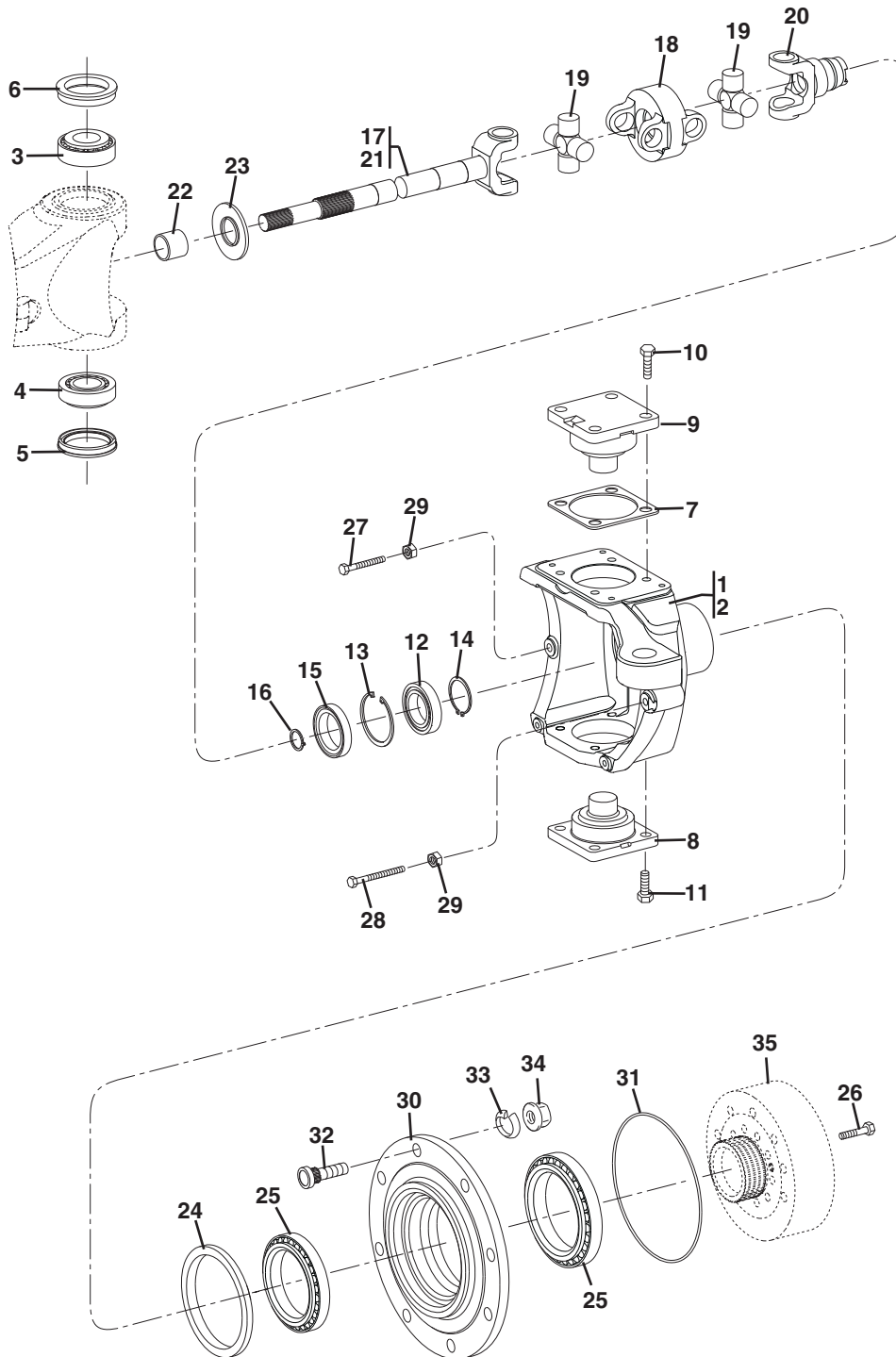


**Figure 5-7 Front Axle - Brake**

Item	Part Number	Qty.	Description	Rev.
1	70022199	2	SNAP RING	
2	70022252	2	WASHER	
3	70022251	2	PISTON	
4	70022191	2	PISTON PACKING	
5	70022192	2	ROD SEAL	
6	70022195	2	CUP SPRING	
7	70022780	2	SCREW PLUG, (not shown)	
8	70022248	14	PRESSURE PIN	
9	70022202	14	O-RING	
10		Ref	BRAKE HOUSING, (see Figure 5-6 for details)	



Figure 5-8 Front Axle - Joint Housing



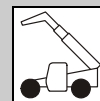
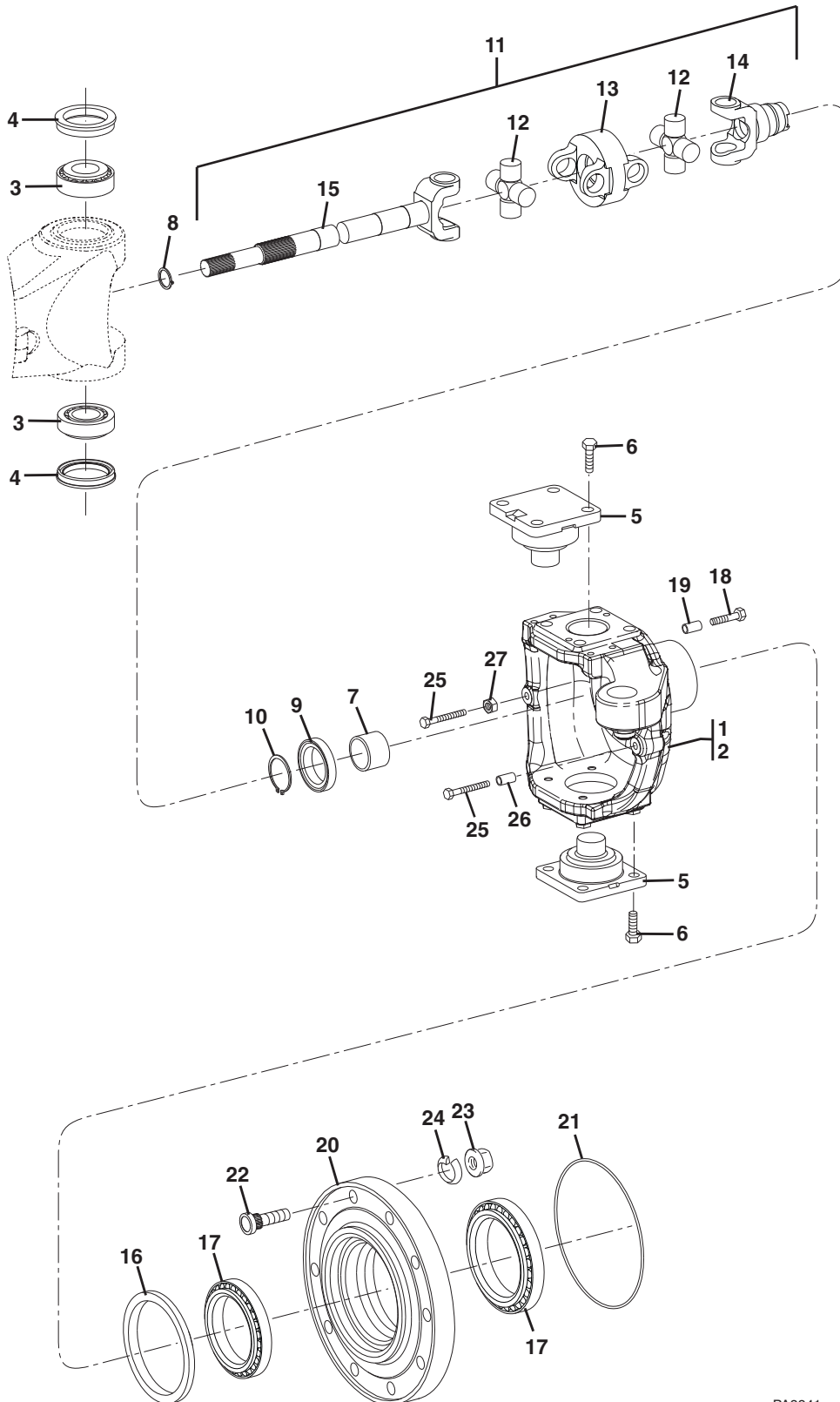


Figure 5-8 Front Axle - Joint Housing

Item	Part Number	Qty.	Description	Rev.
1	1321245	1	JOINT HOUSING, (right side)	
2	1321246	1	JOINT HOUSING, (left side)	
3	1319444	2	ROLLER BEARING	
4	1321166	2	ROLLER BEARING	
5	1319447	2	SHAFT SEAL	
6	8036338	2	MULTI SEAL RING	
7	1319448	AR	SHIM, A=0.2	
	1319449	AR	SHIM, A=0.3	
	1319450	AR	SHIM, A=0.4	
	1319451	AR	SHIM, A=0.6	
	1319452	AR	SHIM, A=0.8	
	1319453	AR	SHIM, A=1.0	
	1319454	AR	SHIM, A=1.2	
	1319455	AR	SHIM, A=1.4	
	1319456	AR	SHIM, A=1.6	
	1319457	AR	SHIM, A=1.8	
	1319458	AR	SHIM, A=2.0	
	1319459	AR	SHIM, A=0.7	
	1319460	AR	SHIM, A=0.5	
8	1319461	2	BEARING PIN	
9	1319462	2	BEARING PIN	
10	1319463	8	HEX SCREW	
11	1319464	8	HEX SCREW	
12	1321157	2	BALL BEARING	
13	1319210	2	RETAINING RING	
14	80304405	2	RETAINING RING	
15	1321164	2	SHAFT SEAL	
16	1321226	2	RETAINING RING	
17	1321176	2	UNIVERSAL COUPLING DRIVE SHAFT ASSY, (includes items 18 thru 23)	
18	8035992	2	CENTRAL PIECE	
19	8035993	4	JOINT CROSS	
20	8035994	2	JOINT FORK	
21	8035995	2	JOINT COUPLING FORK	
22	8035973	2	BUSHING	
23	8035996	2	SCREEN SHEET	
24	8036329	2	CASSETTE RING	
25	1319472	4	ROLLER BEARING	
26	8035997	20	HEX SCREW	
27	1319475	2	STOP SCREW	
28	8036330	2	STOP SCREW	
29	1319477	4	HEX NUT	
30	8036435	2	HUB	
31	1319470	2	O-RING	
32	8036434	16	WHEEL BOLT	
33		Ref	SPRING WASHER, (see Figure 5-1 for details)	
34		Ref	WHEEL NUT, (see Figure 5-1 for details)	
35		Ref	RING GEAR, (see Figure 5-9 for details)	



Figure 5-8 Front Axle - Joint Housing



PA3341

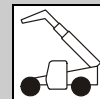
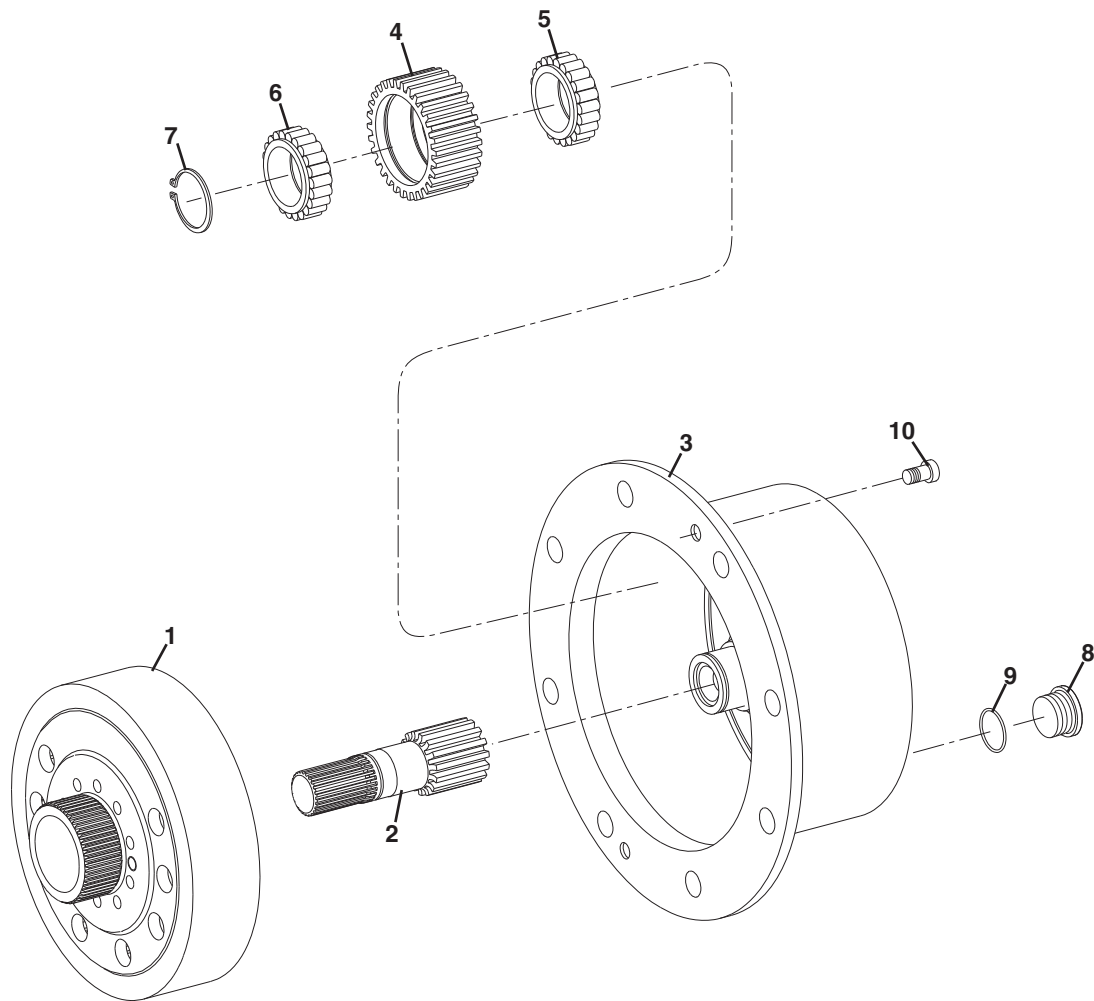


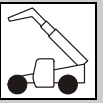
Figure 5-8 Front Axle - Joint Housing

Item	Part Number	Qty.	Description	Rev.
1	70022237	1	JOINT HOUSING, (right side)	
2	70022238	1	JOINT HOUSING, (left side)	
3	70022223	4	ROLLER BEARING	
4	1319447	4	SHAFT SEAL	
5	70022240	4	BEARING PIN	
6	1319464	16	HEX SCREW, M16X40	
7	70022179	2	BUSHING	
8	10731789	2	RETAINING RING	
9	70022218	2	SHAFT SEAL	
10	1321226	2	RETAINING RING	
11	70022781	2	UNIVERSAL COUPLING DRIVE SHAFT ASSY, (includes items 12 thru 15)	
12	70021554	2	JOINT CROSS	
13	70022782	1	CENTRAL PIECE	
14	70022187	1	FORK SHAFT	
15	70022188	1	FORK SHAFT	
16	80304173	2	SHAFT SEAL	
17	1319472	4	ROLLER BEARING	
18	70022783	16	HEX SCREW, M14X70	
19	70022234	16	CENTERING BUSHING	
20	70022249	2	HUB	
21	70022203	2	O-RING	
22	70022230	20	WHEEL BOLT	
23		Ref	WHEEL NUT, (see Figure 5-1 for details)	
24		Ref	SPRING WASHER, (see Figure 5-1 for details)	
25	8036330	4	STOP SCREW, M14X1.5	
26	70022257	2	SPACER TUBE	
27	1319477	2	HEX NUT, M14X1.5	



**Figure 5-9 Front Axle - Planetary Drive**





**Figure 5-9 Front Axle - Planetary Drive**

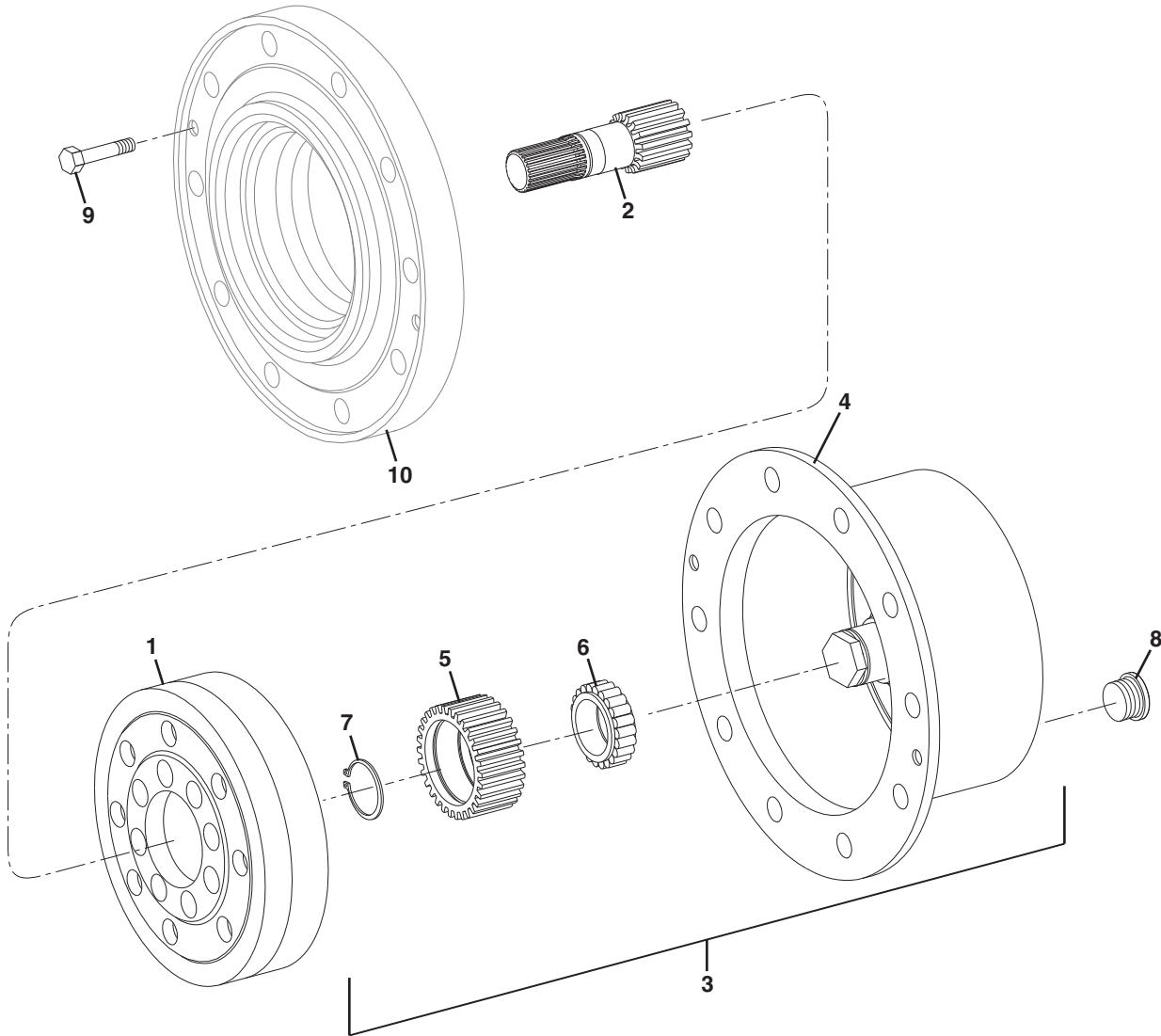
Item	Part Number	Qty.	Description	Rev.
1	1321247	2	RING GEAR	
2	1321242	2	SUN GEAR SHAFT	
3	8036436	2	PLANETARY CARRIER	
4	1321231	6	PLANETARY GEAR	
5	1319483	6	ROLLER BEARING	
6	1319484	6	ROLLER BEARING	
7	1319485	6	SNAP RING	
8	1319506	2	SCREW PLUG	
9	8036331	2	O-RING	
10	1319488	4	CAPSCREW	



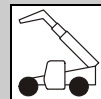
**DRIVE TRAIN**

S/N 0160038919 & After  
including 0160033533

**Figure 5-9 Front Axle - Planetary Drive**



PA3351

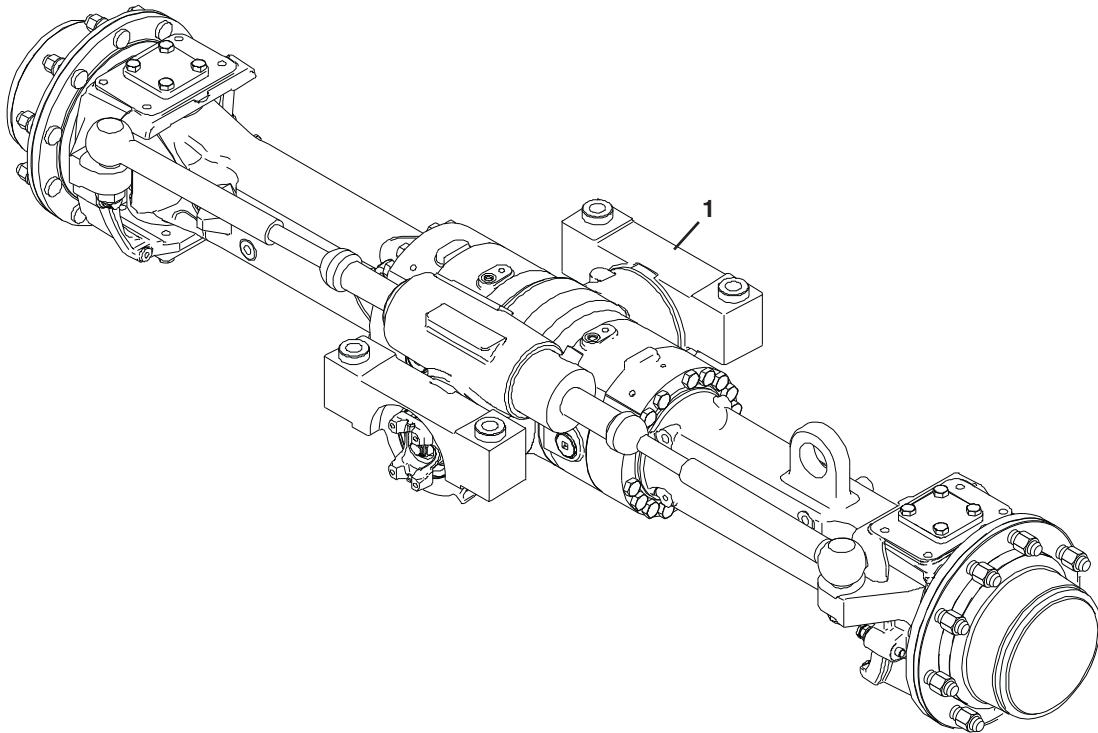


**Figure 5-9 Front Axle - Planetary Drive**

Item	Part Number	Qty.	Description	Rev.
1	70022242	1	RING GEAR	
2	70022784	2	SUN GEAR SHAFT	
3	70022233	2	PLANETARY CARRIER ASSY, (includes items 4 thru 7)	
4	70022256	1	PLANETARY CARRIER	
5	70022243	3	PLANETARY GEAR	
6	70022785	3	CYL ROLLER BEARING	
7	70022197	3	RETAINING RING	
8	1319578	2	SCREW PLUG	
9	70022207	4	HEX SCREW, M12X30	
10		Ref	HUB, (see Figure 5-8 for details)	



**Figure 5-10 Rear Axle**



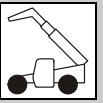
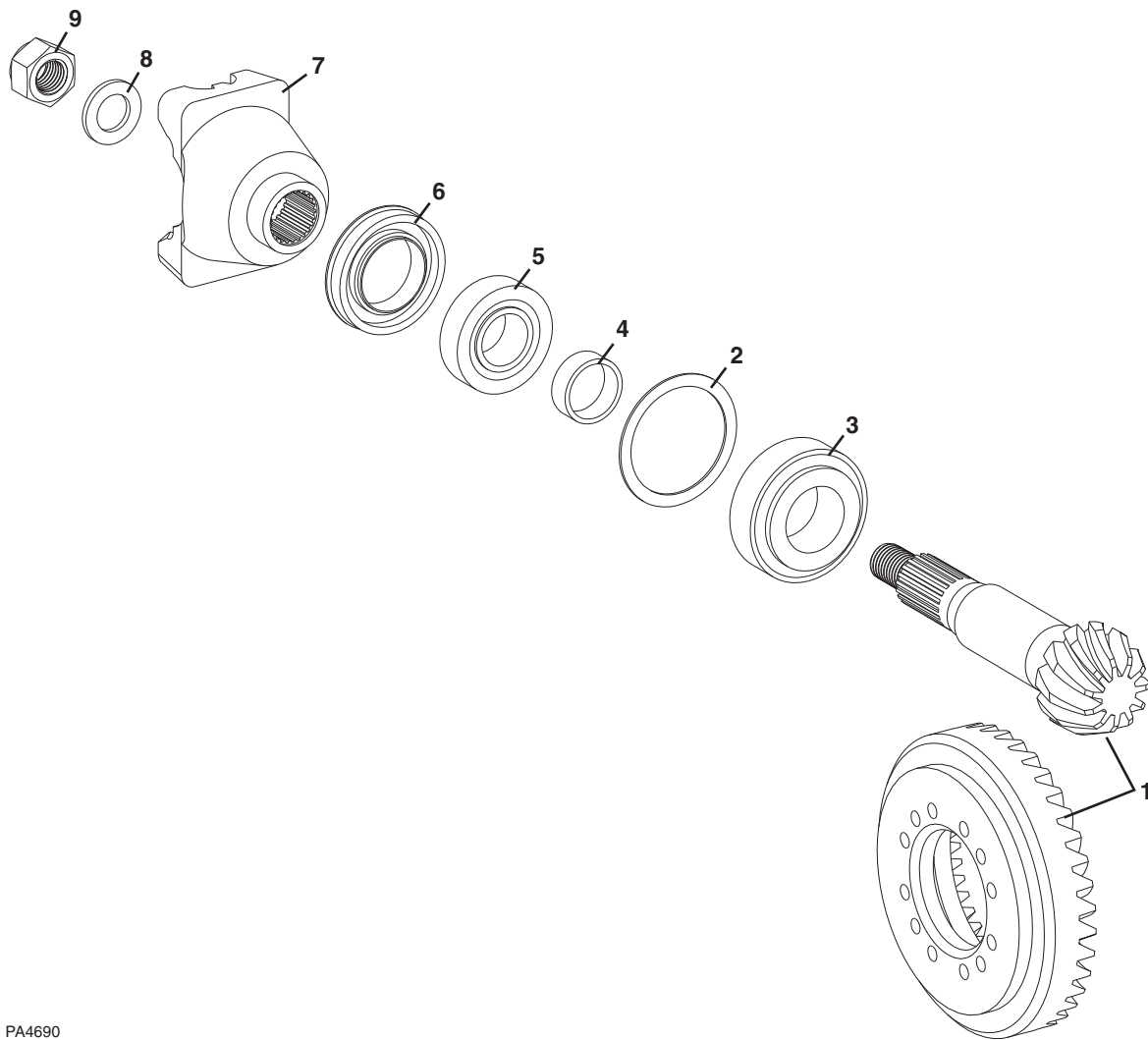


Figure 5-10 Rear Axle

Item	Part Number	Qty.	Description	Rev.
1	8040274	1	REAR AXLE, (Before S/N 0160038919 excluding 0160033533)	F
	1001103630	1	REAR AXLE, (S/N 0160038919 & After including 0160033533)	D
		Ref	INPUT, (see Figure 5-11 for details)	
		Ref	LIMITED SLIP DIFFERENTIAL, (see Figure 5-12 for details)	
		Ref	AXLE CASING, (see Figure 5-13 for details)	
		Ref	M-DISK BRAKE, (see Figure 5-14 for details)	
		Ref	BRAKE, (see Figure 5-15 for details)	
		Ref	JOINT HOUSING, (see Figure 5-16 for details)	
		Ref	PLANETARY DRIVE, (see Figure 5-17 for details)	



Figure 5-11 Rear Axle - Input



PA4690

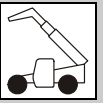


Figure 5-11 Rear Axle - Input

Item	Part Number	Qty.	Description	Rev.
1	8036751	1	BEVEL GEAR SET	
2	1319333	1	SHIM, S=1.0	
	1319334	1	SHIM, S=1.05	
	1319335	1	SHIM, S=1.10	
	1319336	1	SHIM, S=1.15	
	1319337	1	SHIM, S=1.20	
	1319338	1	SHIM, S=1.25	
	1319339	1	SHIM, S=1.30	
	1319340	1	SHIM, S=1.35	
	1319341	1	SHIM, S=1.40	
	1319342	1	SHIM, S=1.45	
	1319343	1	SHIM, S=1.50	
	1319344	1	SHIM, S=1.55	
	1319345	1	SHIM, S=1.60	
	1319346	1	SHIM, S=0.90	
	1319347	1	SHIM, S=0.95	
	1319348	1	SHIM, S=0.65	
	1319349	1	SHIM, S=0.70	
	1319350	1	SHIM, S=0.75	
	1319351	1	SHIM, S=0.85	
	1319352	1	SHIM, S=0.80	
3	1319353	1	ROLLER BEARING	
4	1319354	1	RING, S=15.1	
	1319355	1	RING, S=15.2	
	1319356	1	RING, S=15.3	
	1319357	1	RING, S=15.4	
	1319358	1	RING, S=15.5	
	1319359	1	RING, S=15.6	
	1319360	1	RING, S=15.7	
	1319361	1	RING, S=15.8	
	1319362	1	RING, S=15.9	
	1319363	1	RING, S=16.0	
	1319364	1	RING, S=16.1	
	1319365	1	RING, S=16.2	
	1319366	1	RING, S=16.3	
	1319367	1	RING, S=16.4	
	8035982	1	RING, S=16.26	
	1319369	1	RING, S=16.23	
	1319370	1	RING, S=16.16	
	1319371	1	RING, S=16.13	
	1319372	1	RING, S=16.06	
	1319373	1	RING, S=16.03	
	1319374	1	RING, S=15.96	
	1319375	1	RING, S=15.93	
	1319376	1	RING, S=15.86	
	1319377	1	RING, S=15.83	
	1319378	1	RING, S=15.76	
	1319379	1	RING, S=15.73	
	1319380	1	RING, S=15.66	

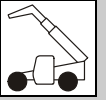


## DRIVE TRAIN

Before S/N 0160038919  
excluding 0160033533

Figure 5-11 Rear Axle - Input (Continued)

Item	Part Number	Qty.	Description	Rev.
	1319381	1	RING, S=15.63	
	1319382	1	RING, S=15.56	
	1319383	1	RING, S=15.53	
	1319384	1	RING, S=15.46	
	1319385	1	RING, S=15.43	
	1319386	1	RING, S=15.36	
	1319387	1	RING, S=15.33	
	1319388	1	RING, S=15.26	
	1319389	1	RING, S=15.38	
	1319390	1	RING, S=15.48	
	1319391	1	RING, S=15.58	
	1319392	1	RING, S=15.68	
	1319393	1	RING, S=15.69	
	1319394	1	RING, S=15.72	
	1319395	1	RING, S=15.78	
	1319396	1	RING, S=15.81	
	1319397	1	RING, S=15.84	
	1319398	1	RING, S=15.88	
	1319399	1	RING, S=15.89	
	1319400	1	RING, S=15.91	
	1319401	1	RING, S=15.94	
	1319402	1	RING, S=15.97	
5	1319444	1	ROLLER BEARING	
6	1321211	1	SEAL SHAFT	
7	1321237	1	END YOKE	
8	1319406	1	WASHER	
9	8035983	1	HEX NUT	

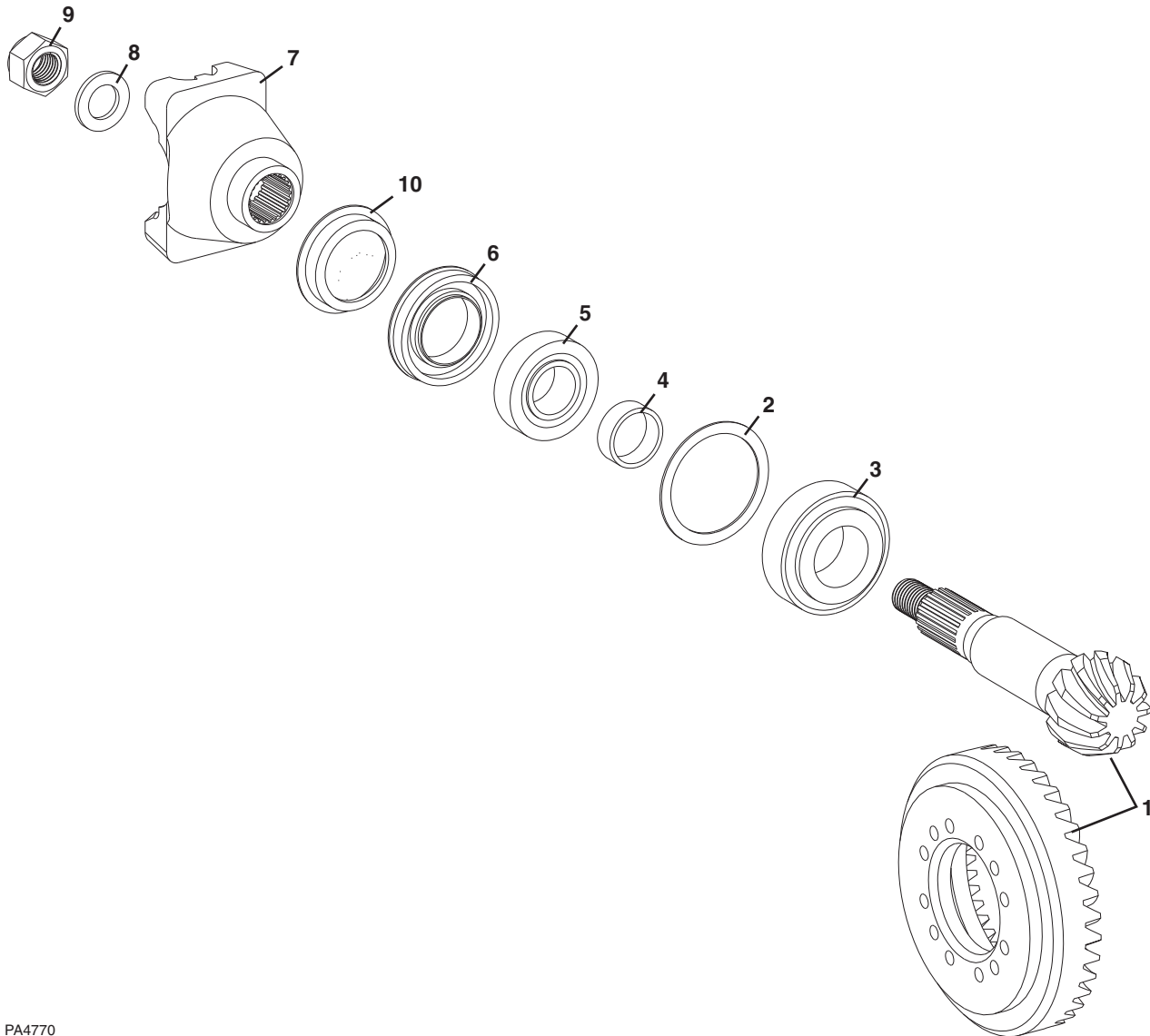


**Figure 5-11 Rear Axle - Input (Continued)**

Item	Part Number	Qty.	Description	Rev.



Figure 5-11 Rear Axle - Input



PA4770

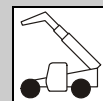


Figure 5-11 Rear Axle - Input

Item	Part Number	Qty.	Description	Rev.
1	70022280	1	BEVEL GEAR SET	
2	80304160	1	SHIM, S=0.1	
	80304159	1	SHIM, S=0.2	
	80304158	1	SHIM, S=0.3	
	80304157	1	SHIM, S=0.5	
	80304156	1	SHIM, S=0.6	
	80304162	1	SHIM, S=0.65	
	80304155	1	SHIM, S=0.7	
	80304161	1	SHIM, S=0.75	
	80304154	1	SHIM, S=0.8	
	80304153	1	SHIM, S=0.9	
	80304152	1	SHIM, S=1.0	
	80304146	1	SHIM, S=1.2	
	80304163	1	SHIM, S=1.25	
	80304151	1	SHIM, S=1.3	
	80304164	1	SHIM, S=1.35	
	80304150	1	SHIM, S=1.4	
	80304165	1	SHIM, S=1.45	
	80304145	1	SHIM, S=1.5	
	80304166	1	SHIM, S=1.55	
	80304149	1	SHIM, S=1.6	
	80304167	1	SHIM, S=1.65	
	80304148	1	SHIM, S=1.7	
	80304168	1	SHIM, S=1.75	
	80304144	1	SHIM, S=1.8	
	80304169	1	SHIM, S=1.85	
	80304147	1	SHIM, S=1.9	
	80304143	1	SHIM, S=2.0	
3	70022231	1	ROLLER BEARING	
4	80304088	1	RING, S=16.00	
	80304089	1	RING, S=16.10	
	80304090	1	RING, S=16.20	
	80304091	1	RING, S=16.30	
	80304092	1	RING, S=16.40	
	80304093	1	RING, S=16.50	
	80304094	1	RING, S=16.60	
	80304095	1	RING, S=16.70	
	80304096	1	RING, S=16.80	
	80304097	1	RING, S=16.92	
	80304099	1	RING, S=17.10	
	80304100	1	RING, S=17.20	
	80304101	1	RING, S=17.30	
	80304102	1	RING, S=17.40	
	80304104	1	RING, S=16.86	
	80304107	1	RING, S=16.98	
	80304108	1	RING, S=17.04	
	80304110	1	RING, S=16.56	
	80304111	1	RING, S=16.62	
	80304112	1	RING, S=16.64	

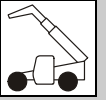


## DRIVE TRAIN

S/N 0160038919 & After  
including 0160033533

Figure 5-11 Rear Axle - Input (Continued)

Item	Part Number	Qty.	Description	Rev.
	80304113	1	RING, S=16.68	
	80304114	1	RING, S=16.72	
	80304115	1	RING, S=16.74	
	80304117	1	RING, S=16.76	
	80304118	1	RING, S=16.78	
	80304119	1	RING, S=16.82	
	80304120	1	RING, S=16.84	
	80304121	1	RING, S=16.88	
	80304122	1	RING, S=16.90	
	80304123	1	RING, S=16.94	
	80304124	1	RING, S=16.66	
	80304125	1	RING, S=16.96	
	80304126	1	RING, S=17.00	
	80304127	1	RING, S=17.02	
	80304128	1	RING, S=17.06	
	80304129	1	RING, S=17.08	
	80304130	1	RING, S=17.12	
	80304131	1	RING, S=17.14	
	80304132	1	RING, S=17.16	
	80304133	1	RING, S=17.18	
	80304134	1	RING, S=17.22	
	80304135	1	RING, S=17.24	
	80304136	1	RING, S=17.26	
	80304137	1	RING, S=17.28	
5	1319353	1	ROLLER BEARING	
6	70022220	1	SEAL SHAFT	
7	70022245	1	END YOKE	
8	80304082	1	WASHER	
9	70022213	1	HEX NUT	
10	70022244	1	SCREEN SHEET	



**Figure 5-11 Rear Axle - Input (Continued)**

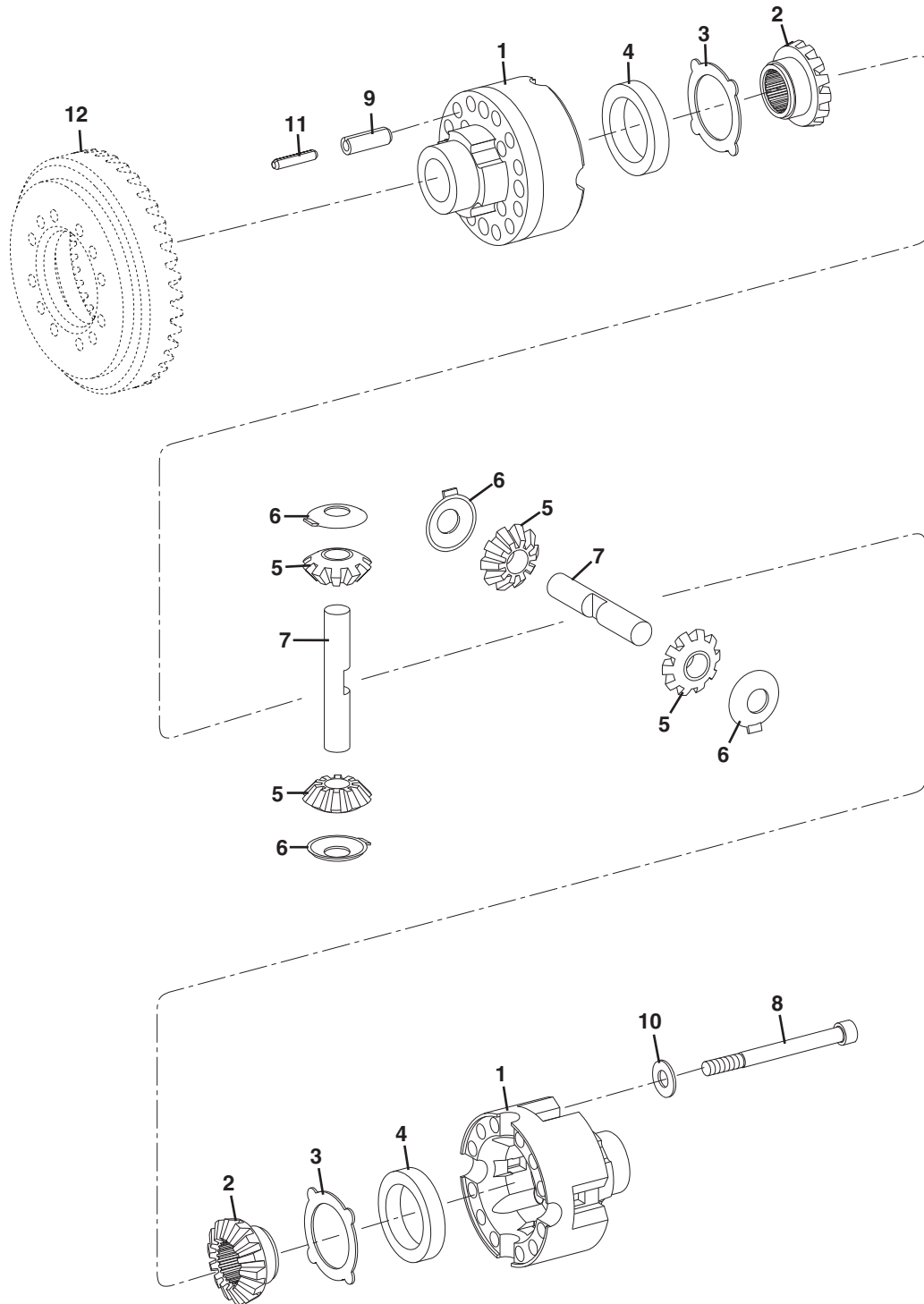
Item	Part Number	Qty.	Description	Rev.

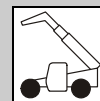


# DRIVE TRAIN

Before S/N 0160038919  
excluding 0160033533

### Figure 5-12 Rear Axle - Differential



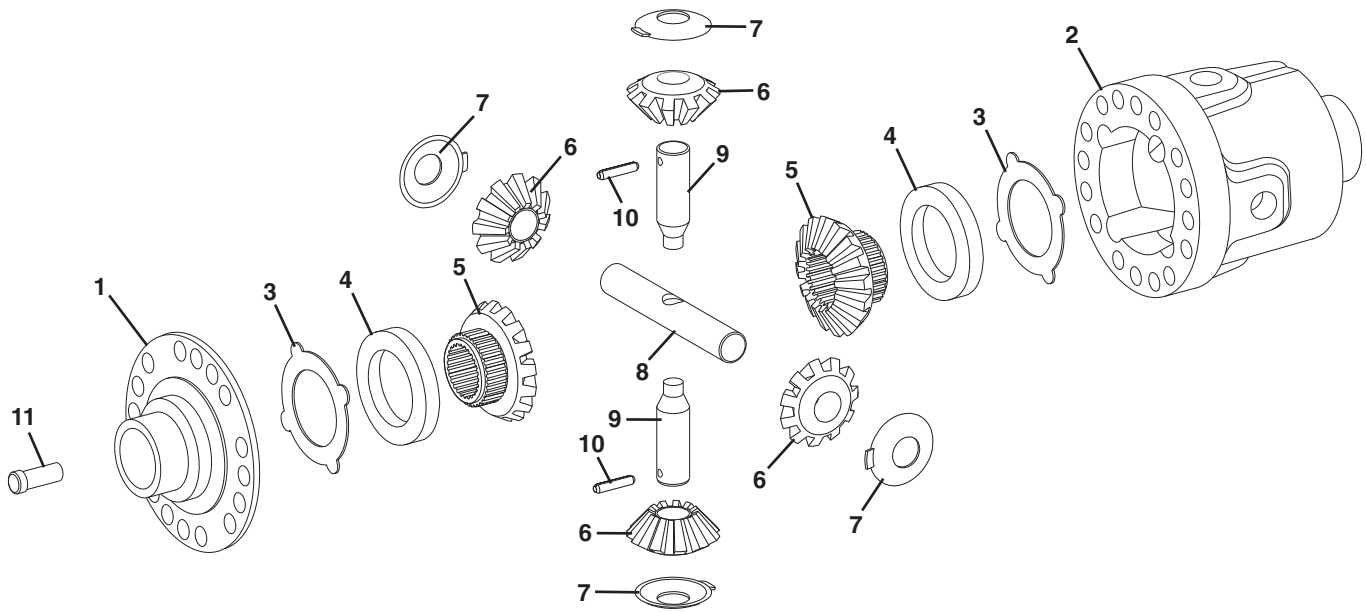


**Figure 5-12 Rear Axle - Differential**

Item	Part Number	Qty.	Description	Rev.
1	NSS	1	DIFFERENTIAL CASE	
2	1321223	2	AXLE BEVEL GEAR	
3	1319412	2	THRUST WASHER	
4	1321260	2	DIFFERENTIAL RING, A=13.7	
	8035984	2	DIFFERENTIAL RING, A=13.6	
	1321259	2	DIFFERENTIAL RING, A=13.5	
5	1321262	4	DIFFERENTIAL BEVEL GEAR	
6	1321188	4	THRUST WASHER	
7	1321224	2	DIFFERENTIAL AXLE	
8	8035985	12	CAPSCREW	
9	1321153	4	SLOT PIN	
10	1321184	12	WASHER	
11	1321154	4	SLOT PIN	
12		Ref	BEVEL GEAR SET, (see Figure 5-11 for details)	



Figure 5-12 Rear Axle - Differential



PA4700

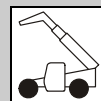


Figure 5-12 Rear Axle - Differential

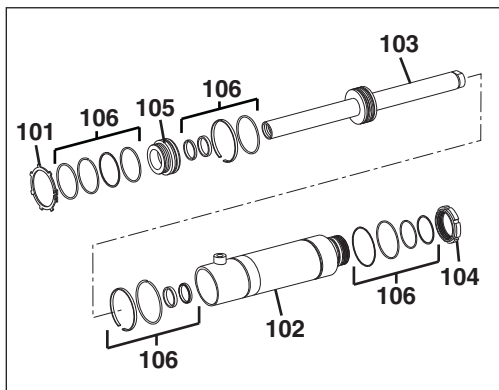
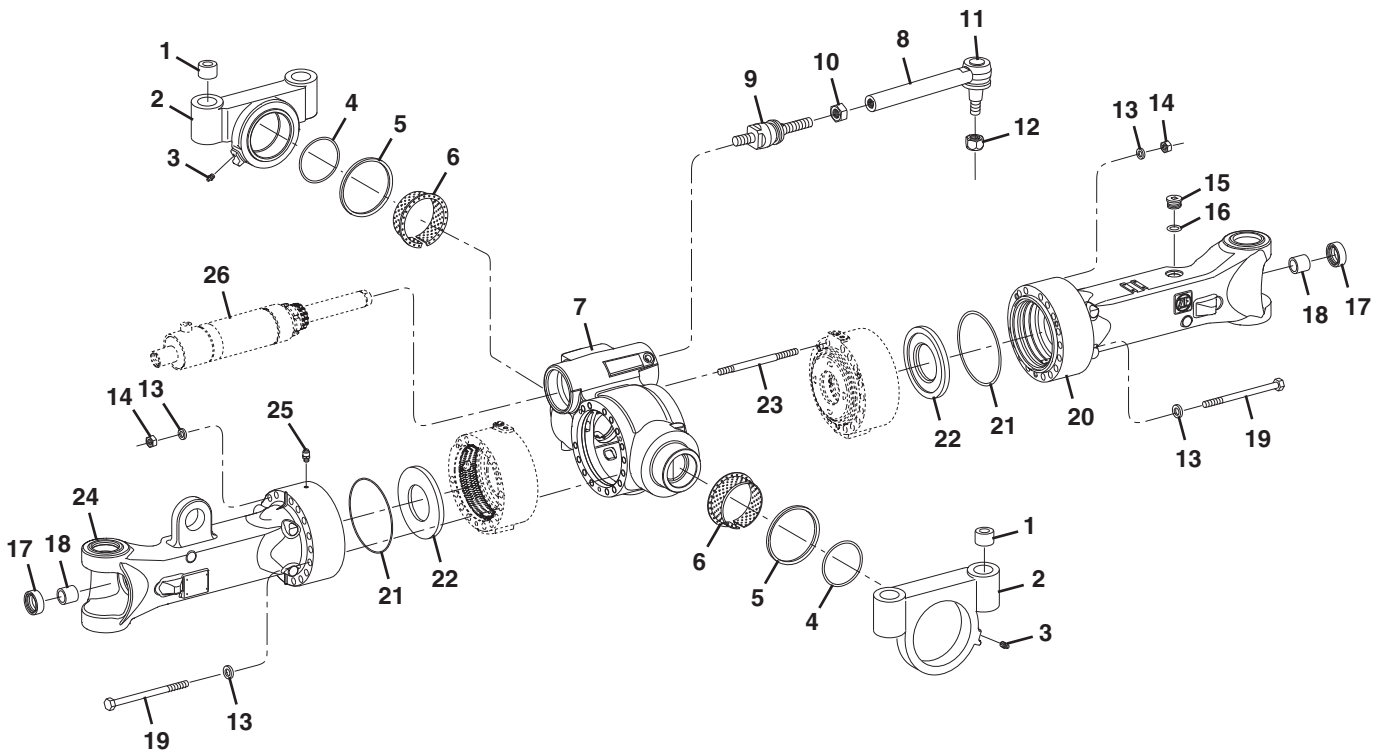
Item	Part Number	Qty.	Description	Rev.
1	70022229	1	COVER	
2	70022226	1	DIFFERENTIAL CASE	
3	70022284	2	THRUST WASHER	
4	70022285	2	DIFFERENTIAL RING, A=15.0	
5	70022225	2	AXLE BEVEL GEAR	
6	70022185	4	DIFFERENTIAL BEVEL GEAR	
7	70022262	4	THRUST WASHER	
8	70022227	1	DIFFERENTIAL AXLE	
9	70022228	2	DIFFERENTIAL AXLE	
10	70022200	2	SLOT PIN	
11	70022211	16	CAPSCREW	



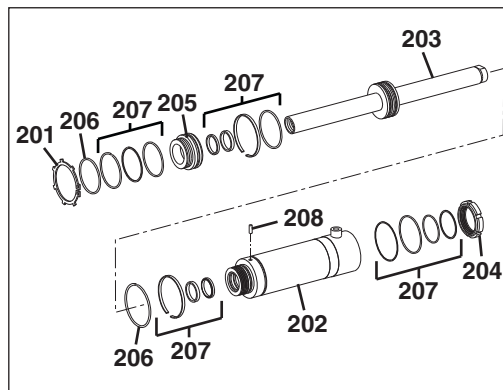
# DRIVE TRAIN

Before S/N 0160038919  
excluding 0160033533

### Figure 5-13 Rear Axle - Axle Casing



BEFORE AXLE S/N 829694



AXLE S/N 829694 & AFTER

PU2072

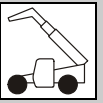


Figure 5-13 Rear Axle - Axle Casing

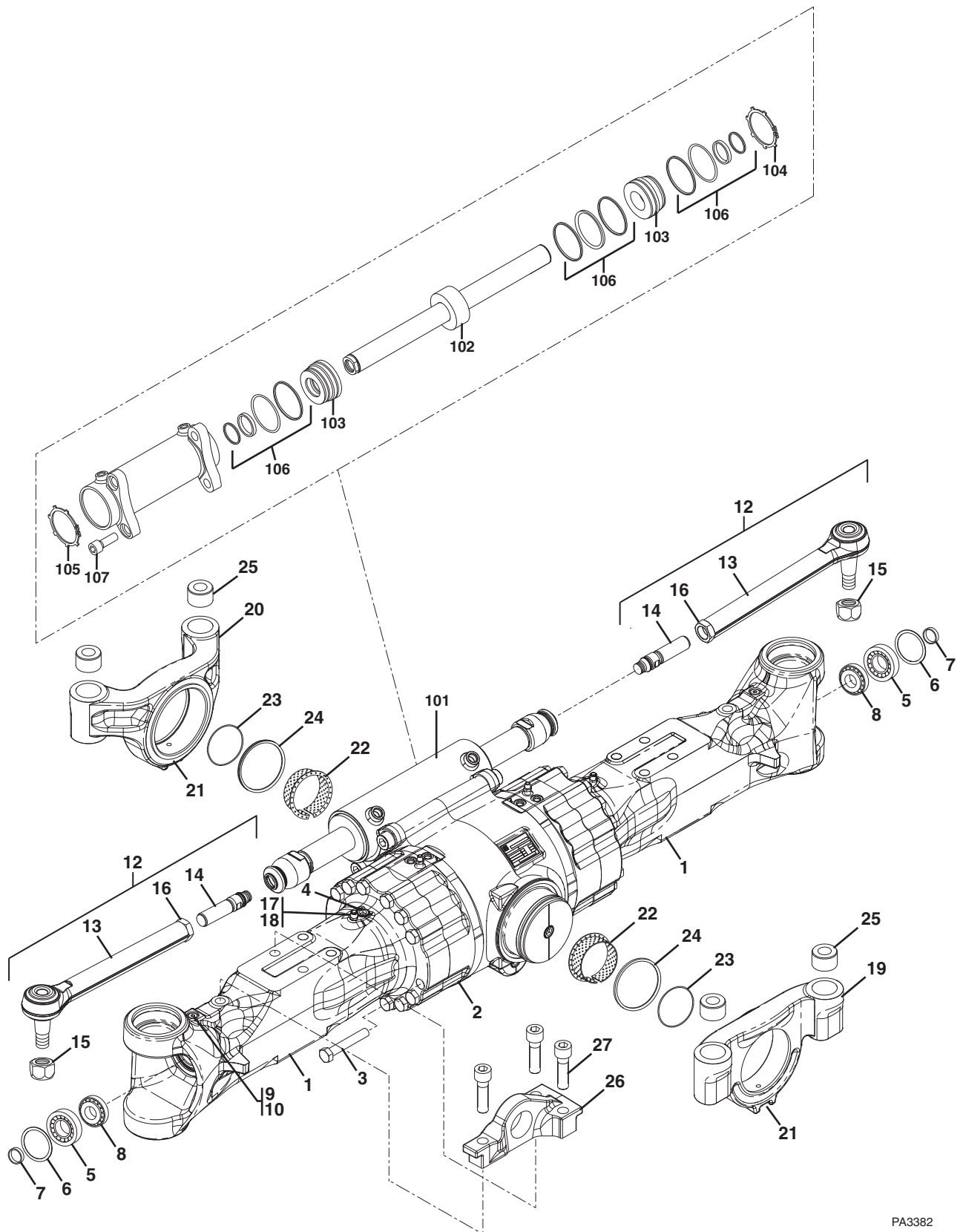
Item	Part Number	Qty.	Description	Rev.
1	1319441	4	CENTERING BUSHING	
2	8035933	2	BRACKET	
3	1319423	2	LUBRICATION NIPPLE	
4	1319439	2	O-RING	
5	1319440	2	V-RING	
6	1319438	2	FLANGE BUSHING	
7	1321236	1	AXLE DRIVE HOUSING	
8	1321148	2	AXIAL JOINT COUPLING ASSY, (includes items 9 thru 11)	
9	8035930	2	AXIAL JOINT COUPLING	
10	8035932	2	HEX NUT	
11	8035929	2	BALL JOINT WITH PIPE COUPLING	
12	8035931	2	LOCKING NUT	
13	1319427	30	WASHER	
14	1319429	8	HEX NUT	
15	1319506	1	SCREW PLUG	
16	8036331	1	O-RING	
17	1319434	2	SHAFT SEAL	
18	1319433	2	BUSHING	
19	8035927	22	HEX SCREW	
20	8035987	1	AXLE CASING, (right rear)	
21	1319425	2	O-RING	
22	8035990	2	END SHIM	
23	8035989	8	STUD	
24	8035986	1	AXLE CASING, (left rear)	
25	1319436	1	BREATHER	
26	1321149	Ref	STEERING CYLINDER, ( <b>Before Axle S/N 829694</b> ), (no longer available, use 70021617 for replacement or items 101 thru 106 for service)	
	70021617	1	STEERING CYLINDER, ( <b>Axle S/N 829694 &amp; After</b> ), (includes items 201 thru 208)	
101	NSS	1	L-RING, (no longer available, use 70021617 for replacement)	
102	NSS	1	TUBE WELDMENT, (no longer available, use 70021617 for replacement)	
103	NSS	1	PISTON ROD, (no longer available, use 70021617 for replacement)	
104	8035998	1	SLOTTED NUT	
105	NSS	1	GUIDE PIECE, (no longer available, use 70021617 for replacement)	
106	8035981	1	SEAL KIT	
201	70021571	1	L-RING	
202	NSS	1	CYLINDER TUBE	
203	70021568	1	PISTON ROD	
204	70021570	1	SLOTTED NUT	
205	70021569	1	GUIDE PIECE	
206	70021726	2	RETAINING RING	
207	70021495	1	SEAL KIT	
208	70022610	1	SLOTTED PIN	



**DRIVE TRAIN**

S/N 0160038919 & After  
including 0160033533

**Figure 5-13 Rear Axle - Axle Casing**



PA3382

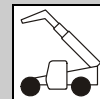
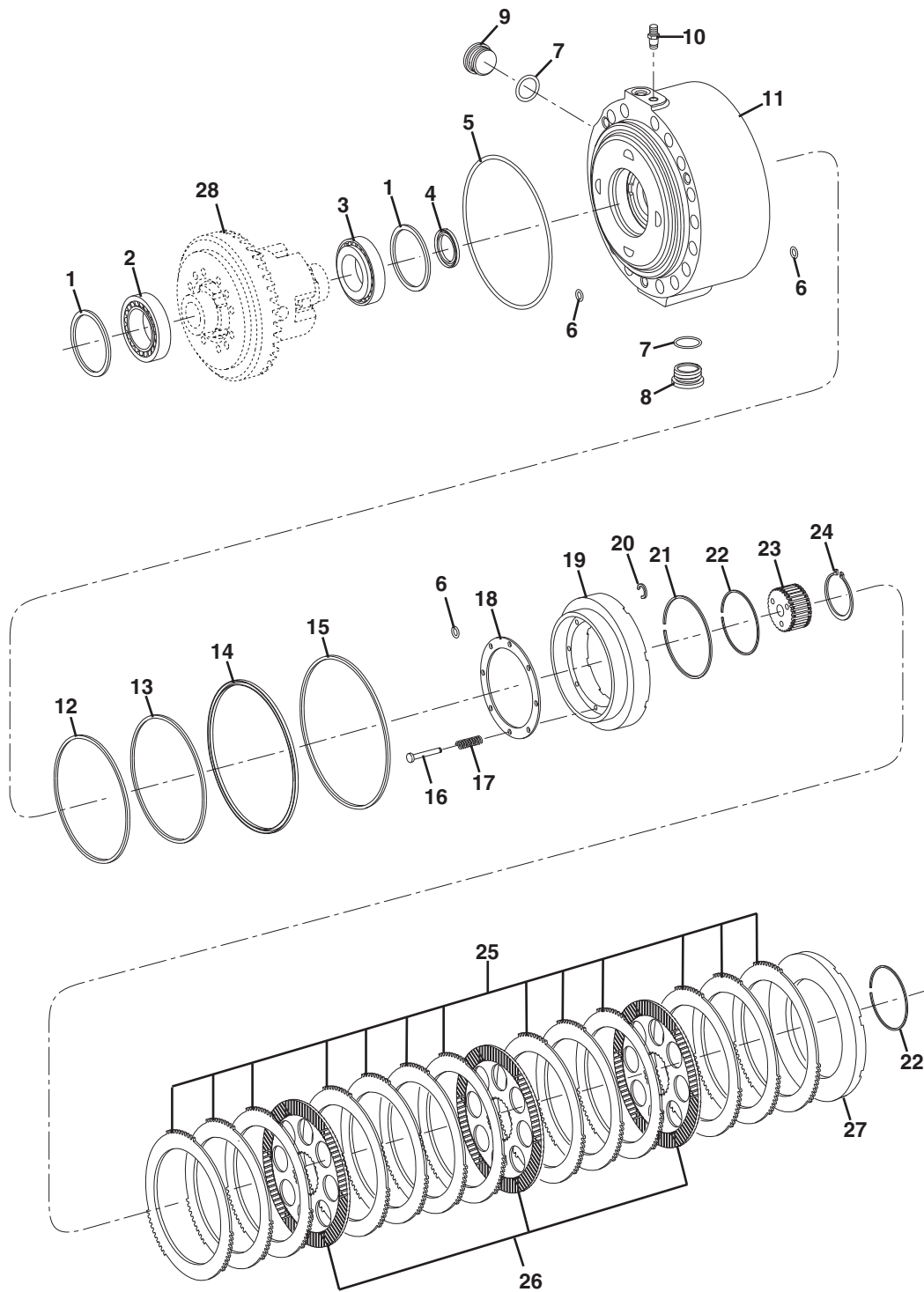


Figure 5-13 Rear Axle - Axle Casing

Item	Part Number	Qty.	Description	Rev.
1	70022255	2	AXLE CASING	
2	70022259	1	AXLE DRIVE HOUSING	
3	70022206	28	HEX HD CAPSCREW, M18X180	
4	1319578	4	SCREW PLUG	
5	70022241	2	BUSHING	
6	70022204	2	O-RING	
7	70022217	2	RING	
8	10731790	2	BEARING	
9	70022201	2	SET SCREW, M10X1X16	
10	1319666	2	SCREW PLUG	
12	70022174	2	TIE ROD, (includes items 13 thru 16)	
13	70022175	1	BALL JOINT	
14	70022172	1	AXIAL JOINT	
15	8036758	1	LOCKNUT	
16	8036759	1	HEX NUT	
17	1319436	1	BREATHER	
18	8036418	1	SCREW PLUG	
19	70022246	1	BRACKET	
20	70022247	1	BRACKET	
21	1319423	2	GREASE FITTING	
22	70022182	2	FLANGE BUSHING	
23	70022205	2	O-RING	
24	70022219	2	V-RING	
25	1319441	4	BUSHING	
26	70022254	1	BRACKET	
27	1001103619	3	HEX HD CAPSCREW, M22X1.5X80	
101	70022173	1	STEERING CYLINDER, (includes items 102 thru 106)	
102	70022177	1	PISTON ROD	
103	70022184	2	BREAK HEAD	
104	70022181	2	RETAINING RING	
105	70022180	2	RETAINING RING	
106	70022178	1	SEAL KIT	
107	70022210	4	CAPSCREW, M22X1.5X55	



Figure 5-14 Rear Axle - M-Disk Brake



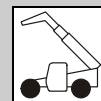


Figure 5-14 Rear Axle - M-Disk Brake

Item	Part Number	Qty.	Description	Rev.
1	1319531	AR	SHIM, A=0.1	
	8035945	AR	SHIM, A=0.15	
	1319530	AR	SHIM, A=0.2	
	8035946	AR	SHIM, A=0.25	
	1319529	AR	SHIM, A=0.3	
	8035947	AR	SHIM, A=0.35	
	8035951	AR	SHIM, A=0.4	
	1319543	AR	SHIM, A=0.45	
	1319527	AR	SHIM, A=0.5	
	1321158	AR	SHIM, A=0.55	
	1319526	AR	SHIM, A=0.6	
	1319532	AR	SHIM, A=0.65	
	1319533	AR	SHIM, A=0.7	
	1319534	AR	SHIM, A=0.75	
	1319525	AR	SHIM, A=0.8	
	1319535	AR	SHIM, A=0.85	
	1319536	AR	SHIM, A=0.9	
	1319537	AR	SHIM, A=0.95	
	1319524	AR	SHIM, A=1.0	
	1319545	AR	SHIM, A=1.05	
	1319538	AR	SHIM, A=1.1	
	1319539	AR	SHIM, A=1.15	
	1319523	AR	SHIM, A=1.2	
	1319540	AR	SHIM, A=1.25	
	1319541	AR	SHIM, A=1.3	
	1319542	AR	SHIM, A=1.35	
	1319522	AR	SHIM, A=1.4	
	1319521	AR	SHIM, A=1.45	
	1319520	AR	SHIM, A=1.5	
	1319519	AR	SHIM, A=1.55	
	1319518	AR	SHIM, A=1.6	
	1319517	AR	SHIM, A=1.65	
	1319510	AR	SHIM, A=2.0	
1321159	AR	SHIM, A=1.47		
8035948	AR	SHIM, A=1.63		
1319515	AR	SHIM, A=1.75		
1319516	AR	SHIM, A=1.7		
1319514	AR	SHIM, A=1.8		
1319513	AR	SHIM, A=1.85		
1319512	AR	SHIM, A=1.9		
1319511	AR	SHIM, A=1.95		
2	8036447	2	ROLLER BEARING	
3	8036445	2	ROLLER BEARING	
4	8036444	2	SHAFT SEAL	
5	1319425	2	O-RING	
6	1319491	12	O-RING	
7	8036331	4	O-RING	
8	1319431	2	SCREW PLUG	
9	1319506	2	SCREW PLUG	

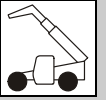


**DRIVE TRAIN**

Before S/N 0160038919  
excluding 0160033533

**Figure 5-14 Rear Axle - M-Disk Brake (Continued)**

Item	Part Number	Qty.	Description	Rev.
10	1319505	2	BREATHER	
11	8035939	Ref	BRAKE HOUSING, (right side), <b>(Before Axle S/N 679469)</b> , (see note N1)	
	70020484	1	BRAKE HOUSING, (right side), <b>(Axle S/N 679469 &amp; After)</b>	
	8035936	Ref	BRAKE HOUSING, (left side), <b>(Before Axle S/N 679469)</b> , (see note N1), (not shown)	
	70020483	1	BRAKE HOUSING, (left side), <b>(Axle S/N 679469 &amp; After)</b> , (not shown)	
12	1321151	2	SUPPORT RING	
13	1321162	2	U-RING	
14	1321163	2	U-RING	
15	1321152	2	SUPPORT RING	
16	1319496	16	PIN	
17	1319497	16	COMPRESSION SPRING	
18	8036305	2	WASHER	
19	8036304	2	PISTON	
20	1319499	16	CRESCENT RING	
21	1319504	2	SNAP RING	
22	8036307	4	SNAP RING	
23	1321174	2	DISC CARRIER, <b>(Before Axle S/N 824742)</b>	
	70020409	2	DISC CARRIER, <b>(Axle S/N 824742 &amp; After)</b>	
24	8036308	2	RETAINER RING	
25	1319500	26	O.CLUTCH DISC, S=2.0, <b>(Before Axle S/N 679469)</b>	
	70020485	26	O.CLUTCH DISC, S=2.0, <b>(Axle S/N 679469 &amp; After)</b>	
	1319501	26	O.CLUTCH DISC, S=2.5, <b>(Before Axle S/N 679469)</b>	
	70020486	26	O.CLUTCH DISC, S=2.5, <b>(Axle S/N 679469 &amp; After)</b>	
	1319502	26	O.CLUTCH DISC, S=3.0, <b>(Before Axle S/N 679469)</b>	
	70020487	26	O.CLUTCH DISC, S=3.0, <b>(Axle S/N 679469 &amp; After)</b>	
26	1321150	6	I.CLUTCH DISC, <b>(Before Axle S/N 824742)</b>	
	70020408	6	I.CLUTCH DISC, <b>(Axle S/N 824742 &amp; After)</b>	
27	8036606	2	END PLATE, <b>(Before Axle S/N 679469)</b>	
	70020413	2	END PLATE, <b>(Axle S/N 679469 &amp; After)</b>	
28		Ref	DIFFERENTIAL, (see Figure 5-12 for details)	
N1	Note	Ref	<b>PARTS ARE NO LONGER AVAILABLE; ORDER BRAKE HOUSINGS 70020483 &amp; 70020484, QUANTITY REQUIRED OF OUTER DISCS 70020485, 70020486 &amp; 70020487, QUANTITY 2 OF 70020413 END PLATES</b>	

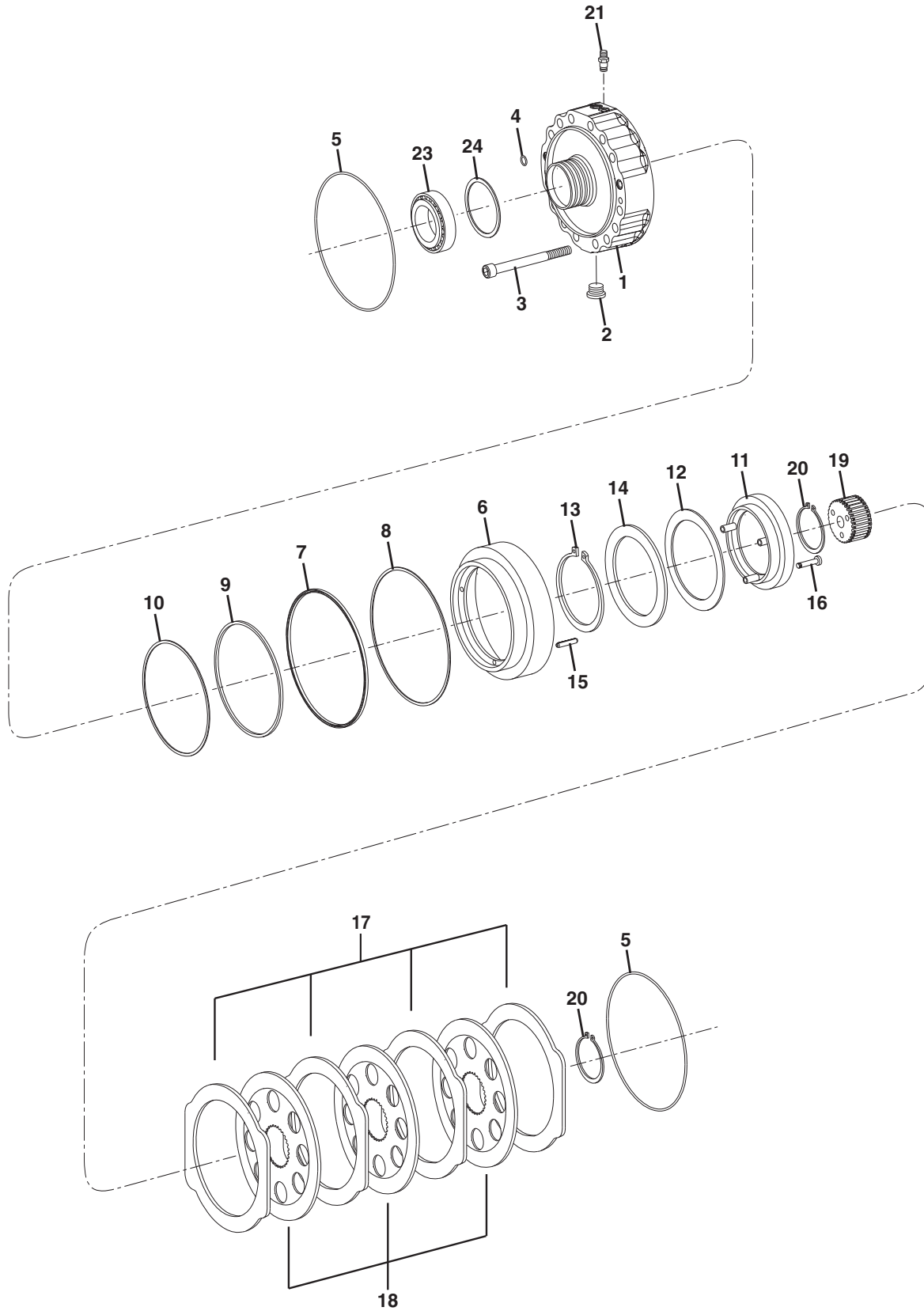


**Figure 5-14 Rear Axle - M-Disk Brake (Continued)**

Item	Part Number	Qty.	Description	Rev.



Figure 5-14 Rear Axle - M-Disk Brake



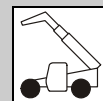
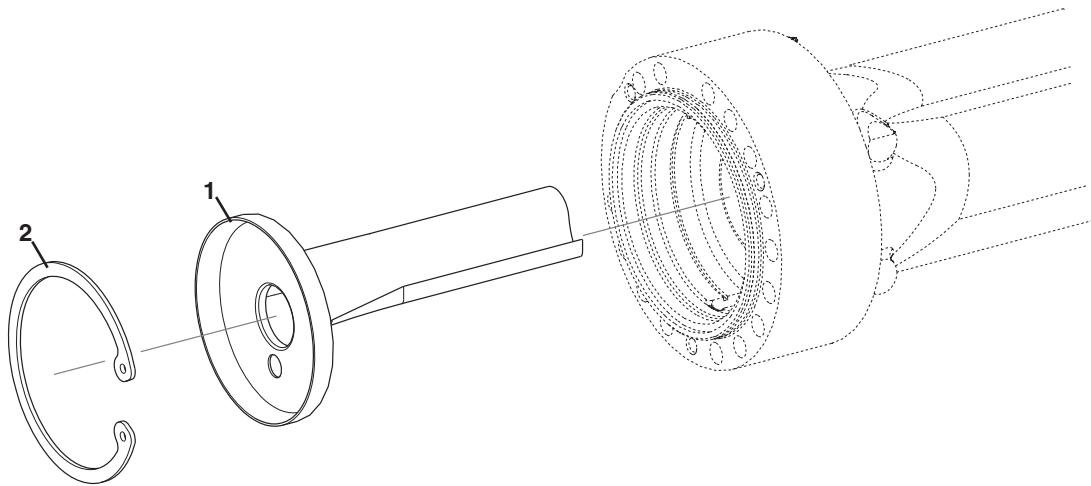


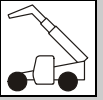
Figure 5-14 Rear Axle - M-Disk Brake

Item	Part Number	Qty.	Description	Rev.
1	70022282	2	BRAKE HOUSING	
2	1319578	2	SCREW PLUG	
3	70022209	6	CAP SCREW, M12X105	
4	8036847	10	O-RING	
5	80304462	4	O-RING	
6	70022250	2	PISTON	
7	70022190	2	PISTON PACKING	
8	70022193	2	BACKUP RING	
9	70022189	2	PISTON PACKING	
10	70022194	2	BACKUP RING	
11	70022236	2	RING	
12	70022183	2	CUP SPRING	
13	70022198	2	RETAINING RING	
14	70022235	2	WASHER	
15	70022186	8	SLOT PIN	
16	1319214	6	CAP SCREW, M8X40	
17	70022196	8	O.CLUTCH DISC	
18	70022176	6	I.CLUTCH DISC	
19	70022253	2	DISC CARRIER	
20	10731949	4	RETAINING RING	
21	70022171	2	BREATHER	
22	70022215	2	SCREW PLUG, (not shown)	
23	8036447	2	BEARING	
24	1319537	AR	SHIM, A=0.95	
	1319545	AR	SHIM, A=1.05	
	1319539	AR	SHIM, A=1.15	
	1319540	AR	SHIM, A=1.25	
	1319542	AR	SHIM, A=1.35	



**Figure 5-15 Rear Axle - Brake**



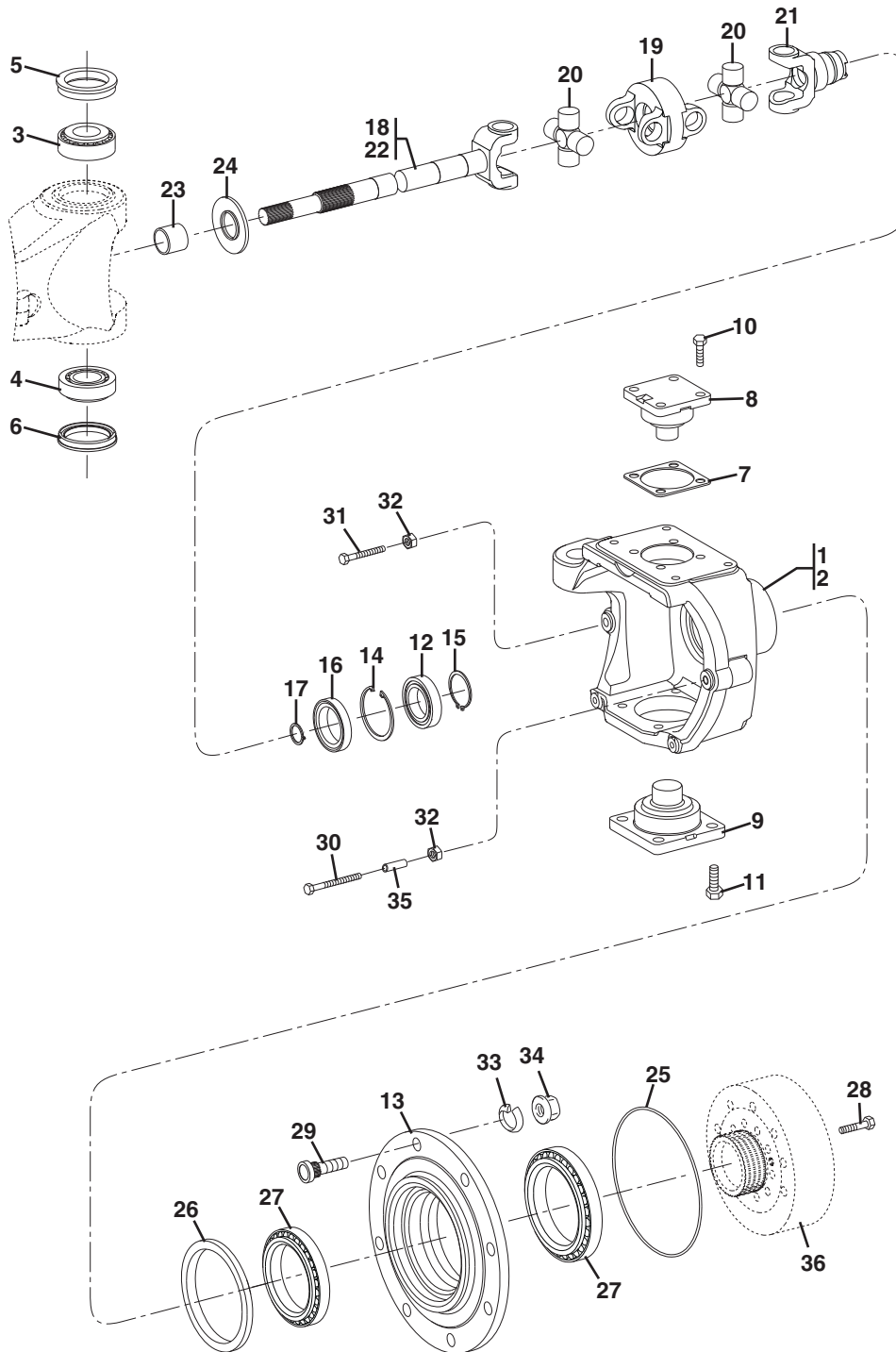


**Figure 5-15 Rear Axle - Brake**

Item	Part Number	Qty.	Description	Rev.
1	1321172	2	PIN CARRIER	
2	1321178	2	RETAINING RING	



Figure 5-16 Rear Axle - Joint Housing



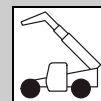


Figure 5-16 Rear Axle - Joint Housing

Item	Part Number	Qty.	Description	Rev.
1	1321245	1	JOINT HOUSING, (left side)	
2	1321246	1	JOINT HOUSING, (right side)	
3	1319444	2	ROLLER BEARING	
4	1319445	2	ROLLER BEARING	
5	8036338	2	MULTI SEAL RING	
6	1319447	2	SHAFT SEAL	
7	1319448	AR	SHIM, S=0.2	
	1319449	AR	SHIM, S=0.3	
	1319450	AR	SHIM, S=0.4	
	1319451	AR	SHIM, S=0.6	
	1319452	AR	SHIM, S=0.8	
	1319453	AR	SHIM, S=1.0	
	1319454	AR	SHIM, S=1.2	
	1319455	AR	SHIM, S=1.4	
	1319456	AR	SHIM, S=1.6	
	1319457	AR	SHIM, S=1.8	
	1319458	AR	SHIM, S=2.0	
	1319459	AR	SHIM, S=0.7	
	1319460	AR	SHIM, S=0.5	
8	1319461	2	BEARING PIN	
9	1319462	2	BEARING PIN	
10	1319463	8	HEX SCREW	
11	1319464	8	HEX SCREW	
12	1321157	2	BALL BEARING	
13	8036435	2	HUB	
14	1319210	2	RETAINING RING	
15	80304405	2	RETAINING RING	
16	1321164	2	SHAFT SEAL	
17	1321226	2	RETAINING RING	
18	7028979	Ref	UNIVERSAL COUPLING DRIVE SHAFT, (not maintenance free), <b>(Before Axle S/N 720124)</b> , (7028979 is no longer available, use 70022052 for replacement or items 19 thru 24 for service)	
	70022052	2	UNIVERSAL COUPLING DRIVE SHAFT, (maintenance free), <b>(Axle S/N 720125 &amp; After)</b> , (includes items 19 thru 24)	
19	8035992	2	CENTRAL PIECE, <b>(Before Axle S/N 720124)</b>	
	70021553	2	CENTRAL PIECE, <b>(Axle S/N 720125 &amp; After)</b>	
20	8035993	4	JOINT CROSS, <b>(Before Axle S/N 720124)</b>	
	70021554	4	JOINT CROSS, <b>(Axle S/N 720125 &amp; After)</b>	
21	8035994	2	JOINT FORK	
22	8035995	2	JOINT COUPLING FORK	
23	8035973	2	BUSHING	
24	8035996	2	SCREEN SHEET	
25	1319470	2	O-RING	
26	8036329	2	CASSETTE RING	
27	1319472	4	ROLLER BEARING	
28	8035997	20	HEX SCREW	
29	8036434	16	WHEEL BOLT	
30	1319475	2	STOP SCREW	
31	8036330	2	STOP SCREW	

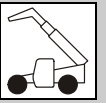


## DRIVE TRAIN

Before S/N 0160038919  
excluding 0160033533

**Figure 5-16 Rear Axle - Joint Housing (Continued)**

Item	Part Number	Qty.	Description	Rev.
32	1319477	4	HEX NUT	
33		Ref	LOCKWASHER, (see Figure 5-1 for details)	
34		Ref	LUG NUT, (see Figure 5-1 for details)	
35	7139743	2	STEER ANGLE SPACER	
36		Ref	BRAKE HOUSING, (see Figure 5-14 for details)	
N1	Note	Ref	<b>IF REPLACING BOTH 8035992 CENTRAL PIECE 8035993 JOINT CROSS (NOT MAINTENANCE FREE) CAN REPLACE WITH 70021553 CENTRAL PIECE &amp; 70021554 JOINT CROSS (MAINTENANCE FREE).</b>	

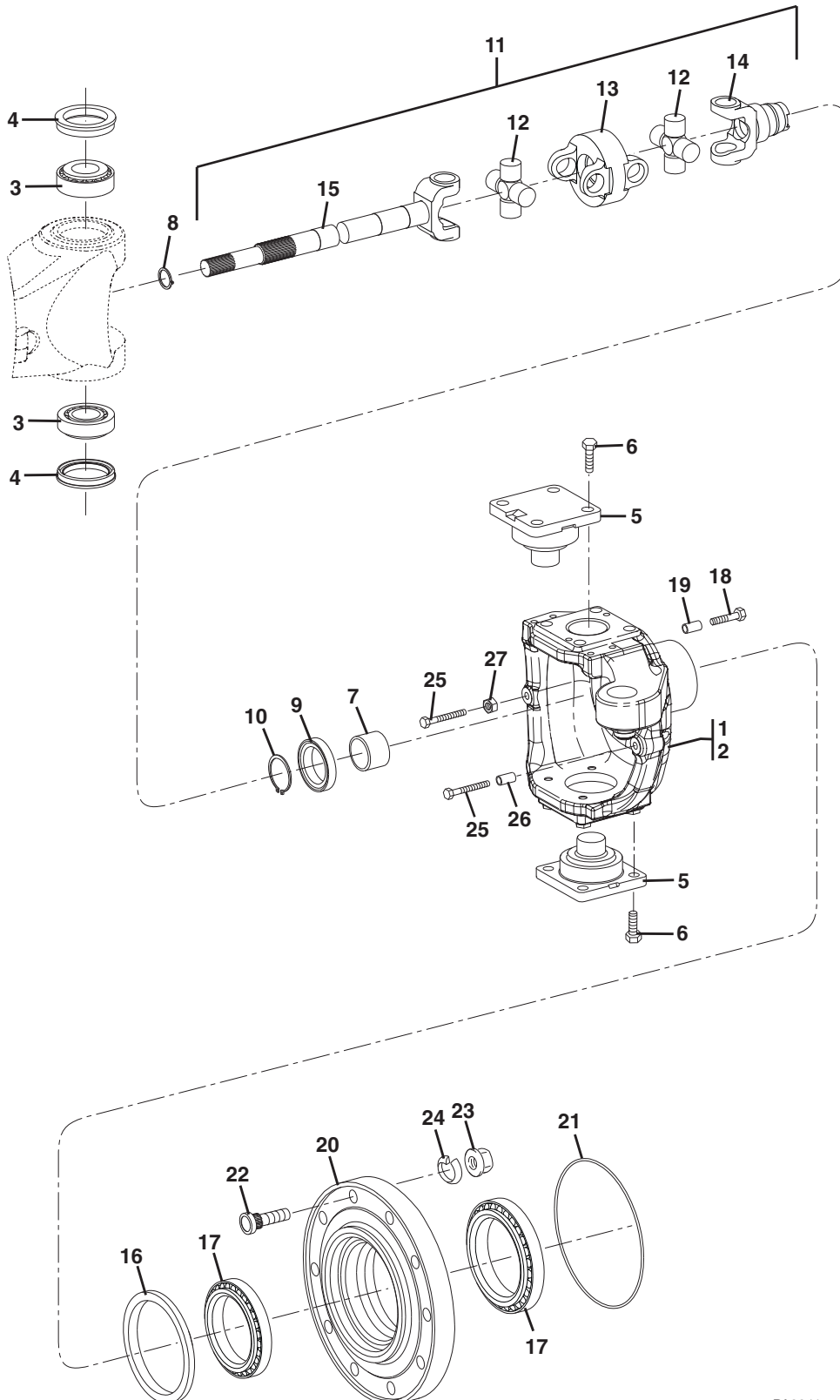


**Figure 5-16 Rear Axle - Joint Housing (Continued)**

Item	Part Number	Qty.	Description	Rev.



Figure 5-16 Rear Axle - Joint Housing



PA3341

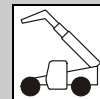
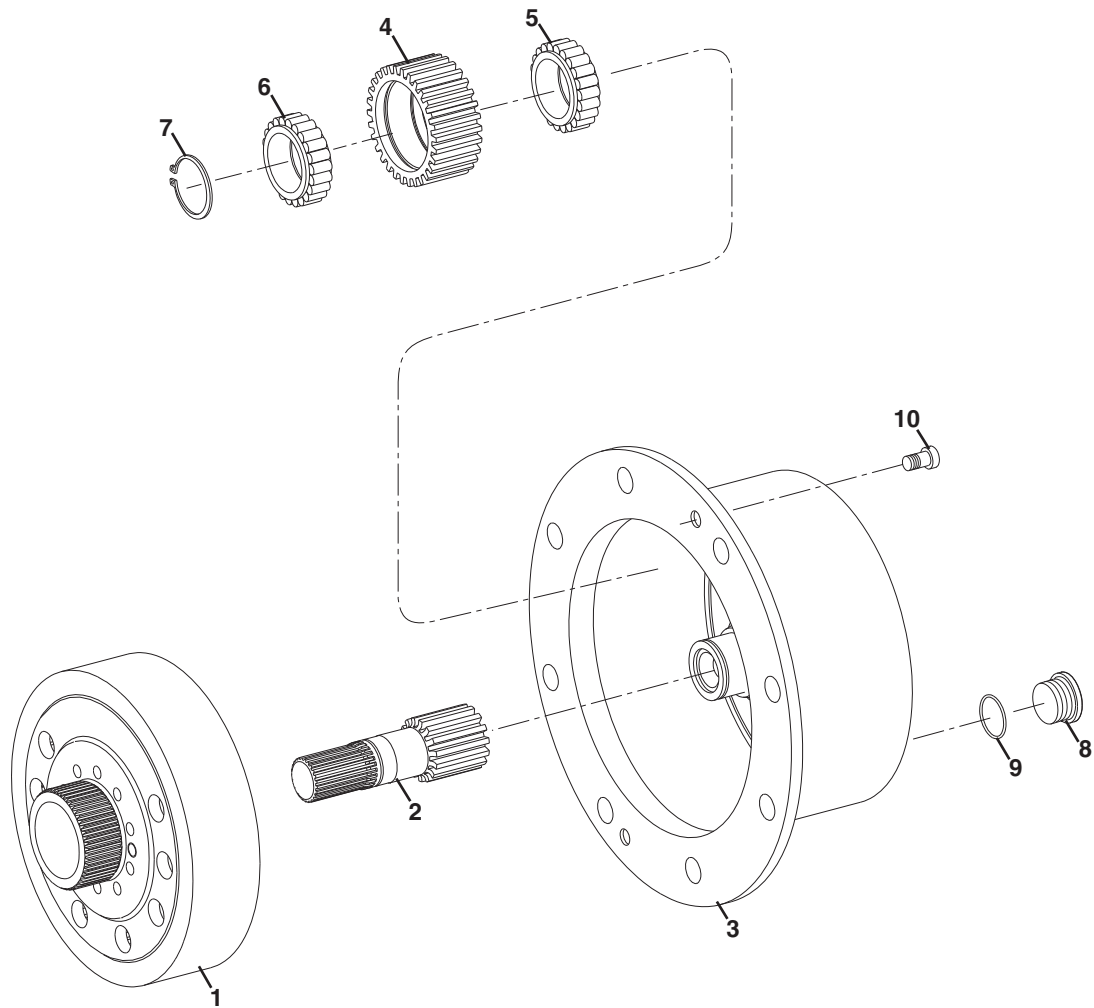


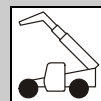
Figure 5-16 Rear Axle - Joint Housing

Item	Part Number	Qty.	Description	Rev.
1	70022237	1	JOINT HOUSING, (right side)	
2	70022238	1	JOINT HOUSING, (left side)	
3	70022223	4	ROLLER BEARING	
4	1319447	4	SHAFT SEAL	
5	70022240	4	BEARING PIN	
6	1319464	16	HEX SCREW, M16X40	
7	70022179	2	BUSHING	
8	10731789	2	RETAINING RING	
9	70022218	2	SHAFT SEAL	
10	1321226	2	RETAINING RING	
11	70022170	2	UNIVERSAL COUPLING DRIVE SHAFT ASSY, (includes items 12 thru 15)	
12	70021554	2	JOINT CROSS	
13	70021553	1	CENTRAL PIECE	
14	70022187	1	FORK SHAFT	
15	70022188	1	FORK SHAFT	
16	80304173	2	SHAFT SEAL	
17	1319472	4	ROLLER BEARING	
18	70022208	16	HEX SCREW, M14X70	
19	70022234	16	CENTERING BUSHING	
20	70022249	2	HUB	
21	70022203	2	O-RING	
22	70022230	20	WHEEL BOLT	
23		Ref	WHEEL NUT, (see Figure 5-1 for details)	
24		Ref	SPRING WASHER, (see Figure 5-1 for details)	
25	8036330	4	STOP SCREW, M14X1.5	
26	70022257	2	SPACER TUBE	
27	1319477	2	HEX NUT, M14X1.5	



**Figure 5-17 Rear Axle - Planetary Drive**





**Figure 5-17 Rear Axle - Planetary Drive**

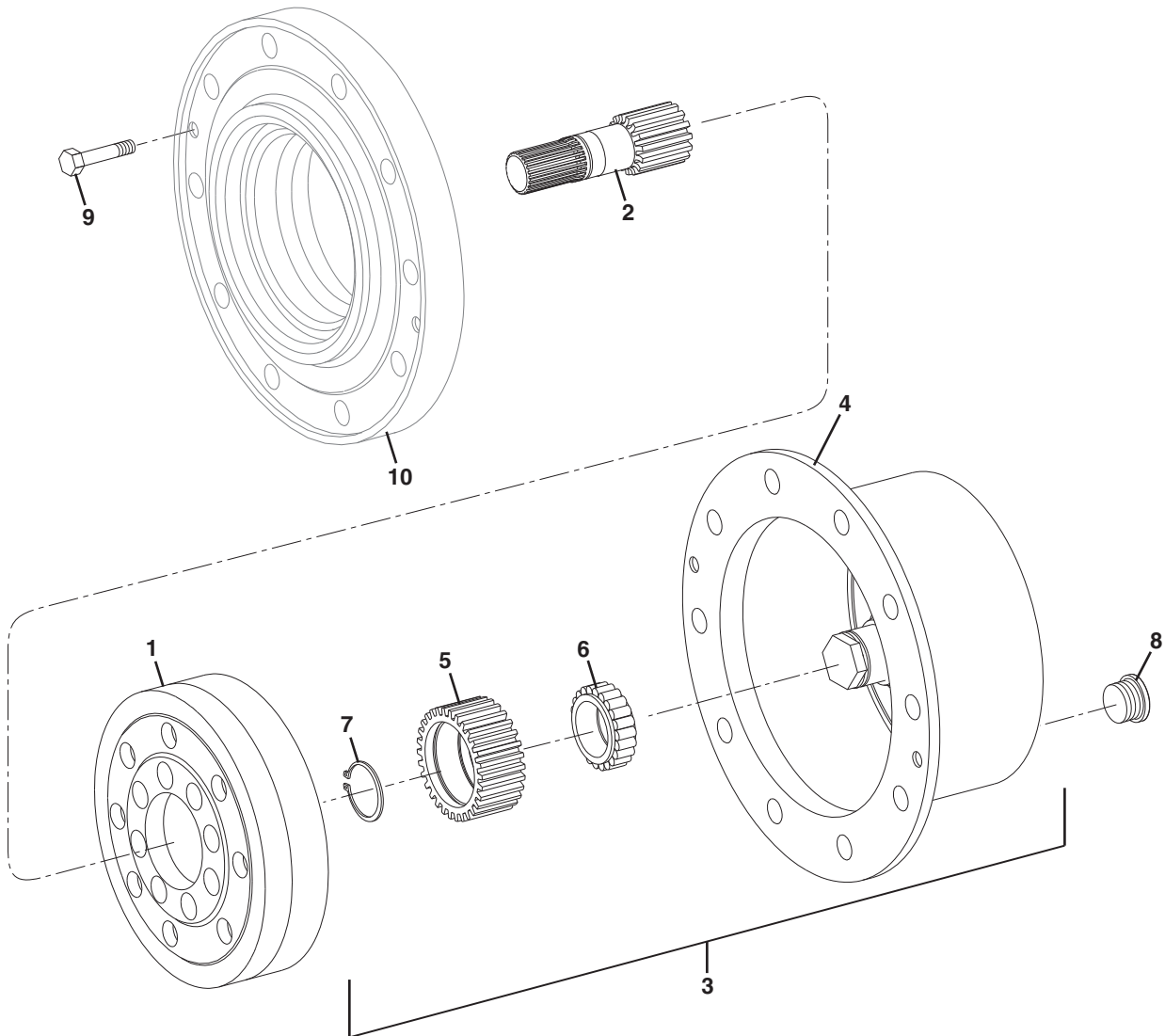
Item	Part Number	Qty.	Description	Rev.
1	1321247	2	RING GEAR	
2	1321242	2	SUN GEAR SHAFT	
3	8036436	2	PLANETARY CARRIER	
4	1321231	3	PLANETARY GEAR	
5	1319483	3	ROLLER BEARING, (inner)	
6	1319484	3	ROLLER BEARING, (outer)	
7	1319485	3	SNAP RING	
8	1319506	2	SCREW PLUG	
9	8036331	2	O-RING	
10	1319488	4	CAPSCREW	
	70021555	2	PLANETARY CARRIER ASSY, (includes items 4 thru 7)	



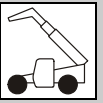
**DRIVE TRAIN**

S/N 0160038919 & After  
including 0160033533

**Figure 5-17 Rear Axle - Planetary Drive**



PA3351



**Figure 5-17 Rear Axle - Planetary Drive**

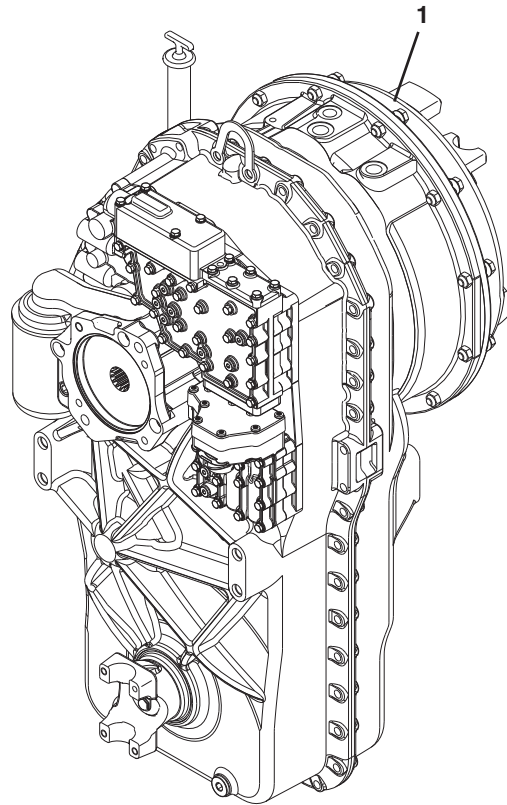
Item	Part Number	Qty.	Description	Rev.
1	70022242	1	RING GEAR	
2	70022239	2	SUN GEAR SHAFT	
3	70022233	2	PLANETARY CARRIER ASSY, (includes items 4 thru 7)	
4	70022256	1	PLANETARY CARRIER	
5	70022243	3	PLANETARY GEAR	
6	70022221	3	CYL ROLLER BEARING	
7	70022197	3	RETAINING RING	
8	1319578	2	SCREW PLUG	
9	70022207	4	HEX SCREW, M12X30	
10		Ref	HUB, (see Figure 5-8 for details)	



**DRIVE TRAIN**

**Figure 5-18 ZF Transmission**

---



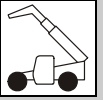


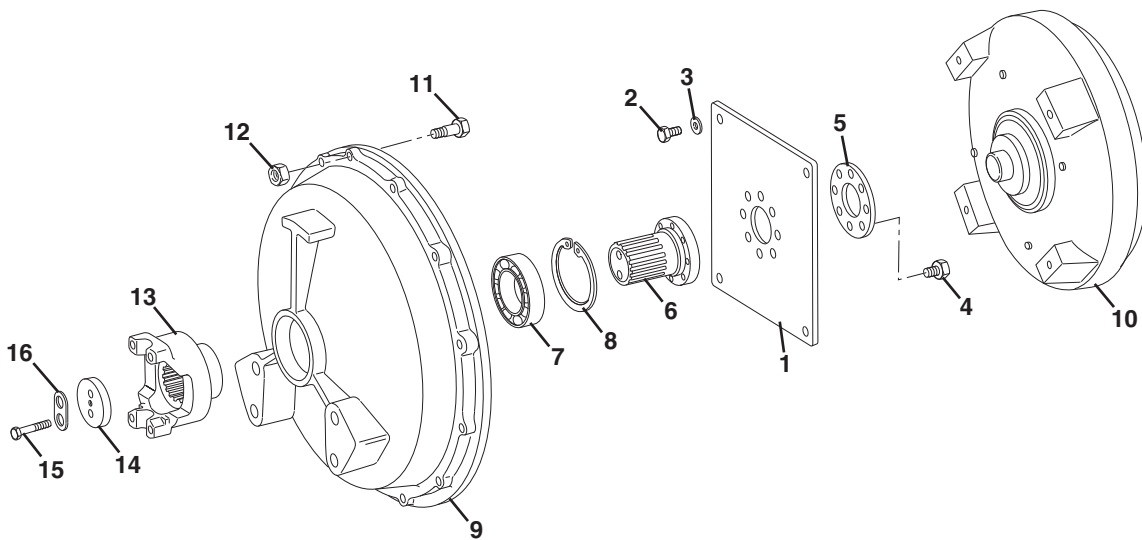
Figure 5-18 ZF Transmission

Item	Part Number	Qty.	Description	Rev.
1	8841036	1	TRANSMISSION, 4WG98-TC Ref ENGINE CONNECTION & CONVERTER, (see Figure 5-19 for details) Ref INPUT SHAFTS, (see Figure 5-20 for details) Ref GEARBOX HOUSING, (see Figure 5-21 for details) Ref COUPLING GROUP 1, (see Figure 5-22 for details) Ref COUPLING GROUP 2, (see Figure 5-23 for details) Ref COUPLING GROUP 3, (see Figure 5-24 for details) Ref COUPLING GROUP 4, (see Figure 5-25 for details) Ref REVERSING GEAR GROUP 1, (see Figure 5-26 for details) Ref REVERSING GEAR GROUP 2, (see Figure 5-27 for details) Ref OUTPUT, (see Figure 5-28 for details) Ref CONTROL UNIT, (see Figure 5-29 for details) Ref VALVE HOUSING ASSY, (see Figure 5-30 for details) Ref VALVE BLOCK ASSY, (see Figure 5-31 for details) Ref OIL PUMP & FILTER, (see Figure 5-32 for details)	AA



# DRIVE TRAIN

Figure 5-19 ZF Transmission - Engine Connection & Converter



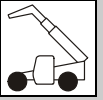


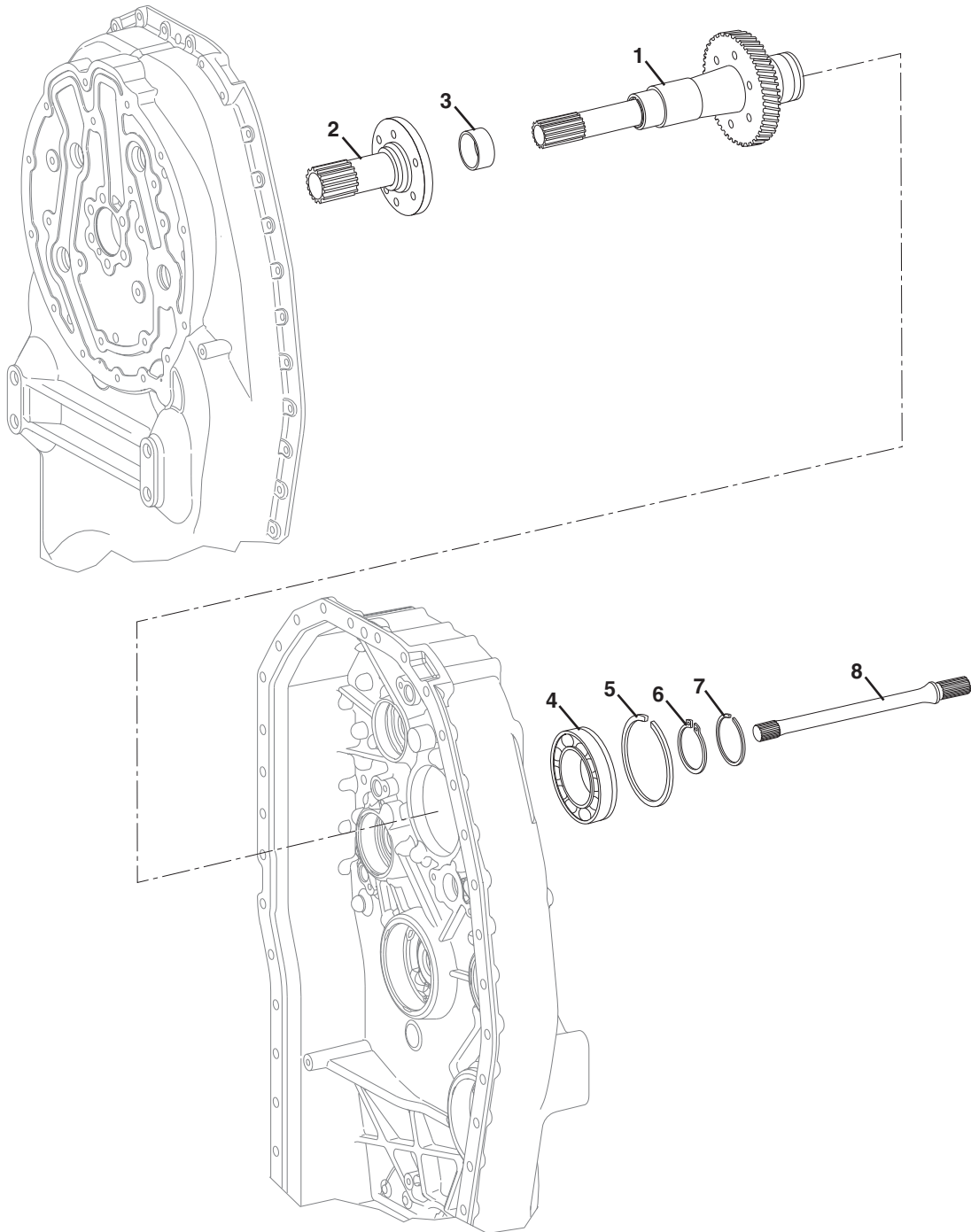
Figure 5-19 ZF Transmission - Engine Connection &amp; Converter

Item	Part Number	Qty.	Description	Rev.
1	1319203	1	DIAPHRAGM	
2	1319204	4	HEX HD CAPSCREW, M10X18mm	
3	10732095	4	WASHER, 10.5	
4	10731702	8	HEX HD CAPSCREW, M10X16mm	
5	1319213	1	WASHER	
6	1319212	1	INPUT SHAFT, <b>(Before Transmission S/N 152496)</b>	
	70023482	1	INPUT SHAFT, <b>(Transmission S/N 152496 &amp; After)</b>	
7	1319209	1	BALL BEARING	
8	1319210	1	RETAINING RING	
9	8036021	1	COVER	
10	8036022	1	CONVERTER	
11	10731748	12	HEX HD CAPSCREW, M10X45mm	
12	10731751	12	HEX NUT, M10	
13	1319211	1	END YOKE	
14	1319205	1	WASHER	
15	1319206	2	HEX HD CAPSCREW, M8X50mm, <b>(Before Transmission S/N 152496)</b>	
	70023483	2	HEX HD CAPSCREW, <b>(Transmission S/N 152496 &amp; After)</b>	
16	1319207	1	TAB WASHER, <b>(Before Transmission S/N 152496)</b>	



# DRIVE TRAIN

Figure 5-20 ZF Transmission - Input Shafts



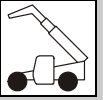


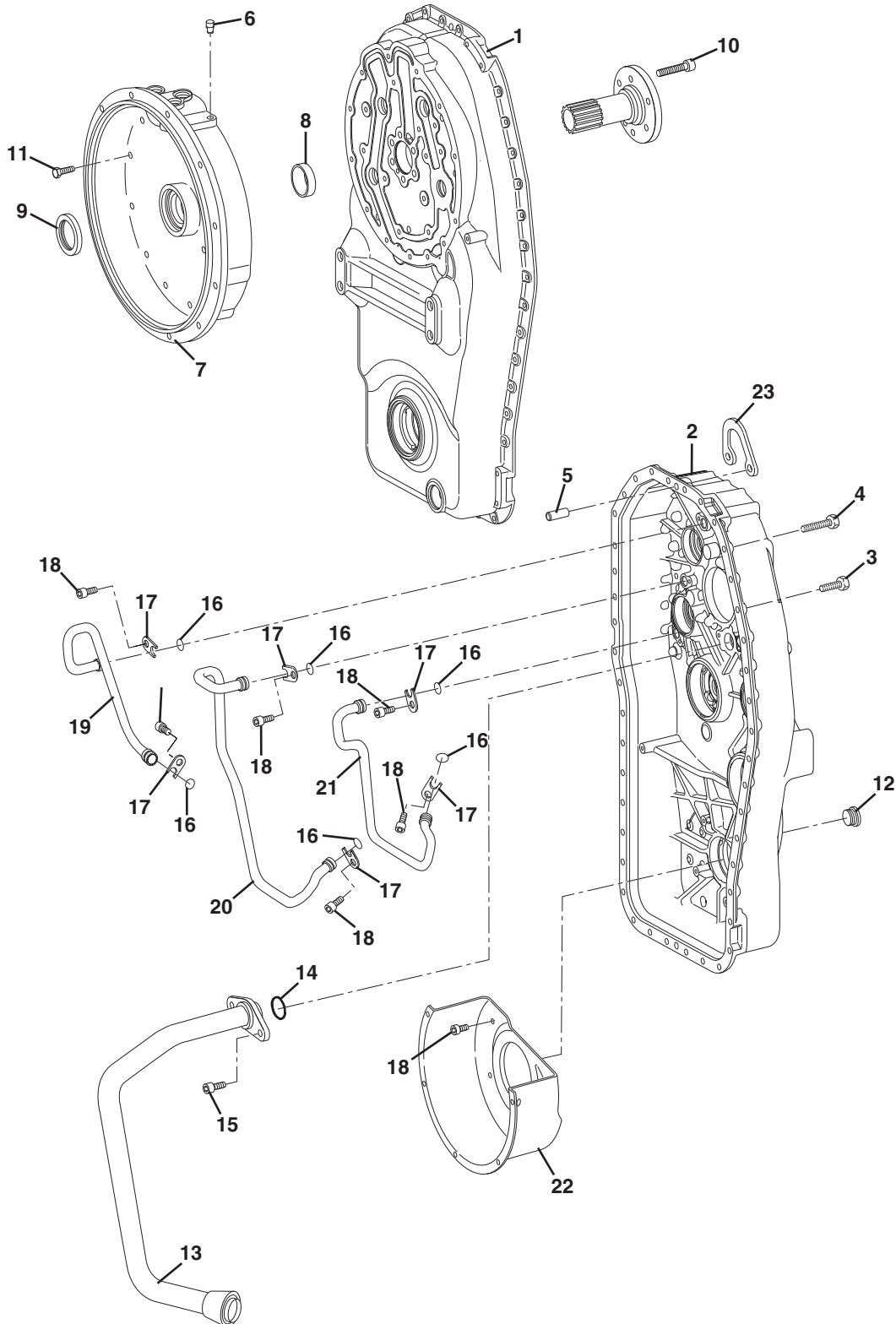
Figure 5-20 ZF Transmission - Input Shafts

Item	Part Number	Qty.	Description	Rev.
1	8036023	1	TURBINE SHAFT	
2	1319557	1	STATOR SHAFT	
3	1319558	1	BEARING BUSHING	
4	1319563	1	BALL BEARING	
5	10731913	1	SNAP RING	
6	80304405	1	RETAINING RING, 55X2.00	
7	1319565	1	PISTON RING, 55X3.00	
8	1319566	1	CENTRAL SHAFT	



# DRIVE TRAIN

Figure 5-21 ZF Transmission - Gearbox Housing



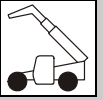
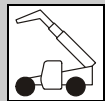


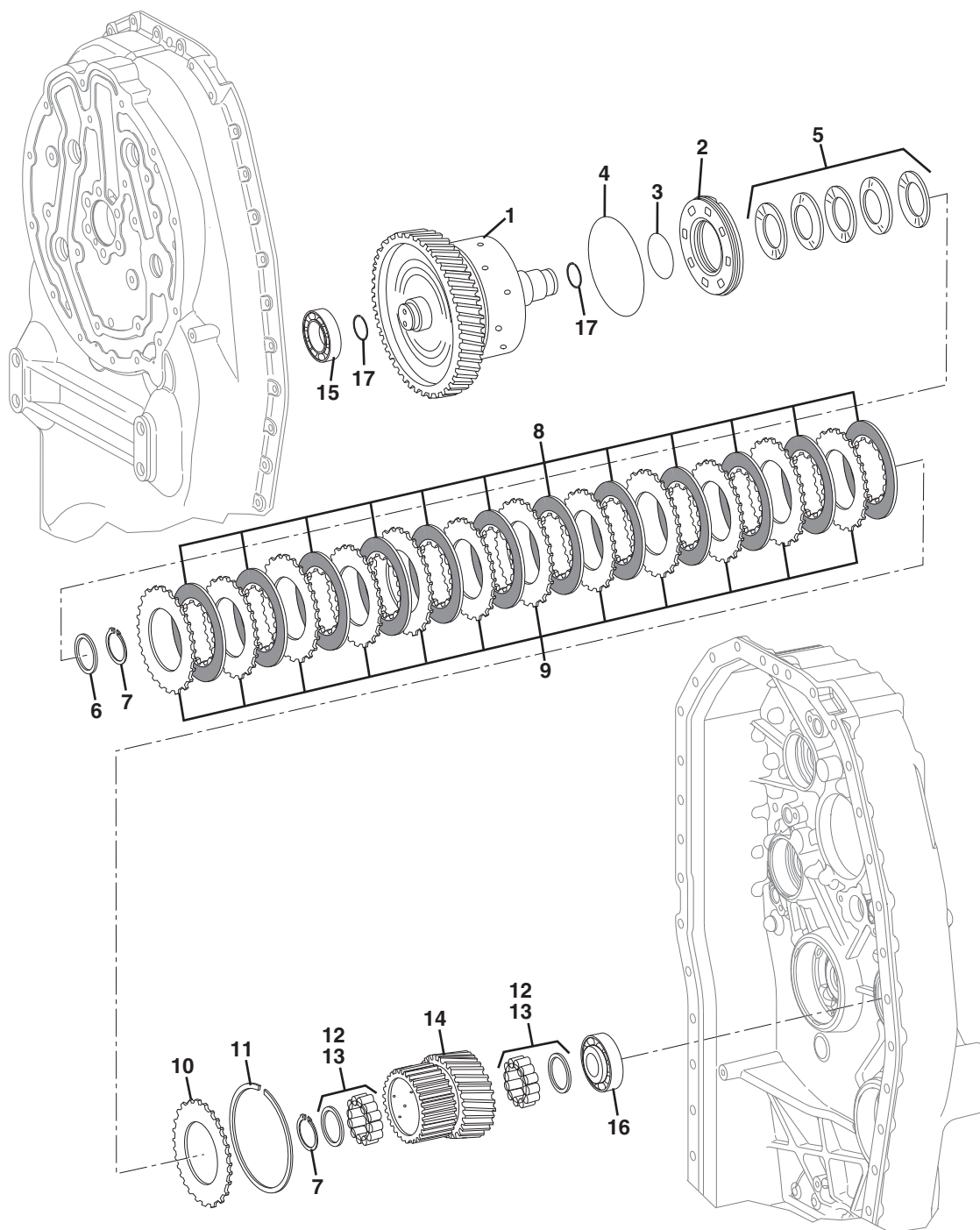
Figure 5-21 ZF Transmission - Gearbox Housing

Item	Part Number	Qty.	Description	Rev.
1	8036024	1	HOUSING I	
2	8036025	1	HOUSING II	
3	1319569	36	HEX HD CAPSCREW, M10X30mm	
4	1319570	6	HEX HD CAPSCREW, M10X50mm	
5	1319571	2	CYLINDRICAL PIN, M6X24mm	
6	10731744	1	BREATHER	
7	1319574	1	CONVERTER BELL	
8	1319575	1	BEARING BUSHING	
9	1319576	1	SHAFT SEAL	
10	1319577	6	SOCKET HD CAPSCREW, M10X50mm	
11	1319569	23	HEX HD CAPSCREW, M10X30mm	
12	1319578	1	DRAIN PLUG, 7/8-14	
13	8036026	1	OIL SUCTION PIPE	
14	1319581	1	O-RING, 30X3.00	
15	1319582	2	SOCKET HD CAPSCREW, M8X20mm	
16	1319583	6	O-RING, 14X2.00	
17	1319584	6	FIXING PLATE	
18	1319585	11	SOCKET HD CAPSCREW, M8X16mm	
19	1319586	1	PIPE	
20	1319587	1	PIPE	
21	8036027	1	PIPE	
22	8036028	1	SCREEN SHEET	
23	1319590	1	BRACKET	



# DRIVE TRAIN

Figure 5-22 ZF Transmission - Coupling Group 1



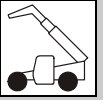


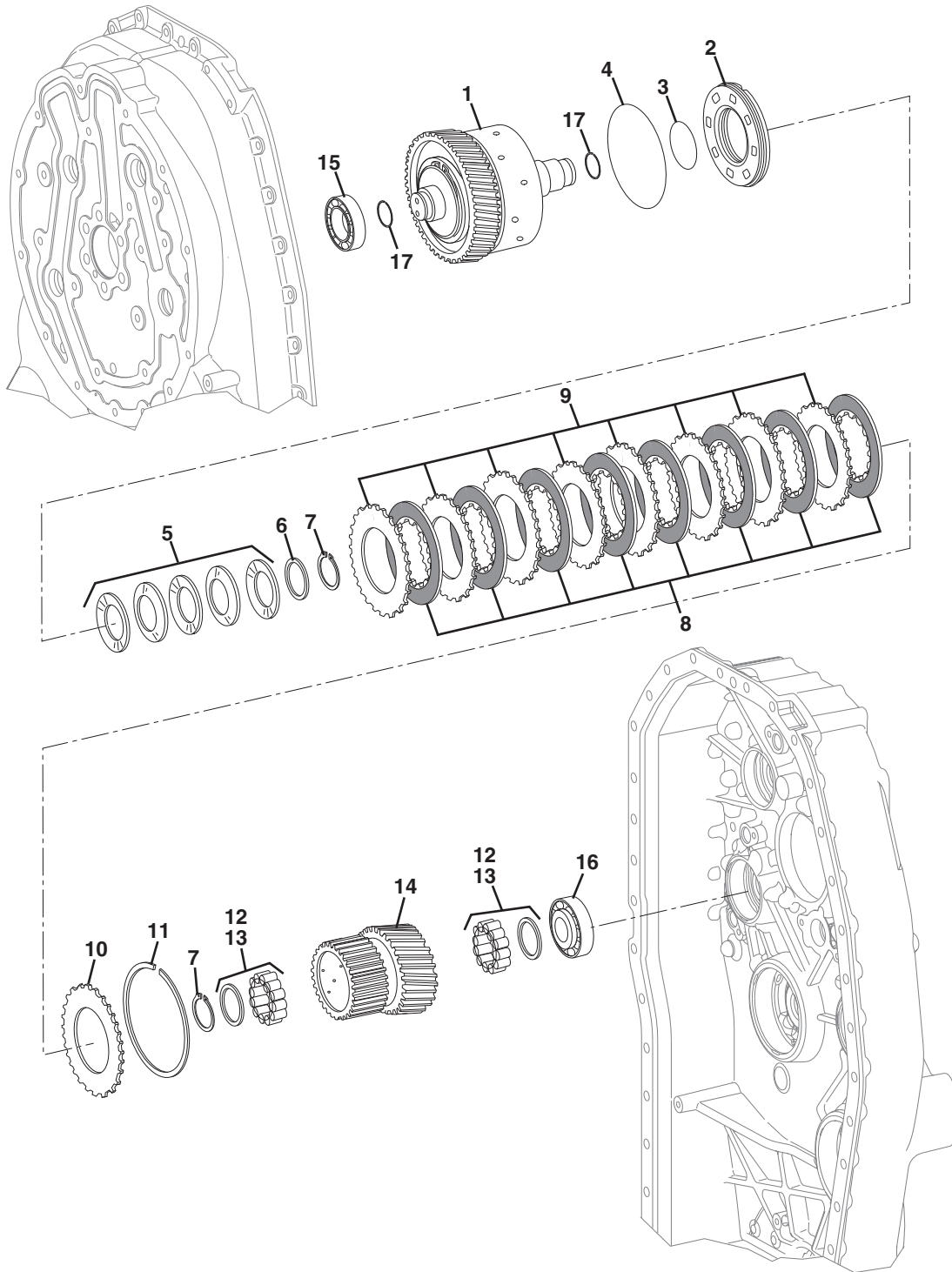
Figure 5-22 ZF Transmission - Coupling Group 1

Item	Part Number	Qty.	Description	Rev.
1	1319591	1	COUPLING	
2	1319592	1	PISTON	
3	1319593	1	O-RING, 52X3.00	
4	1319594	1	O-RING, 115X3.00	
5	1319595	5	CUP SPRING	
6	1319596	1	SHIM, 2.00	
7	10731845	2	RETAINING RING, 40X1.75	
8	7026758	12	LIN.CLUTCH DISC	
9	7026759	12	O.CLUTCH DISC	
10	7026760	1	SHIM, END	
11	1319600	1	SNAP RING, 4.00	
	1319601	1	SNAP RING, 3.50	
	1319602	1	SNAP RING, 3.00	
	1319603	1	SNAP RING, 2.50	
	1319604	1	SNAP RING, 2.00	
12	1319605	2	ROLLER CAGE	
13	1319606	2	ROLLER CAGE	
14	1319607	1	DISC CARRIER	
15	1319608	1	ROLLER BEARING	
16	1319609	1	ROLLER BEARING	
	1319610	1	ROLLER BEARING	
	1319611	1	ROLLER BEARING	
17	1319612	2	PISTON RING, 30X2.00	



# DRIVE TRAIN

Figure 5-23 ZF Transmission - Coupling Group 2



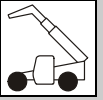
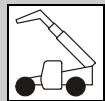


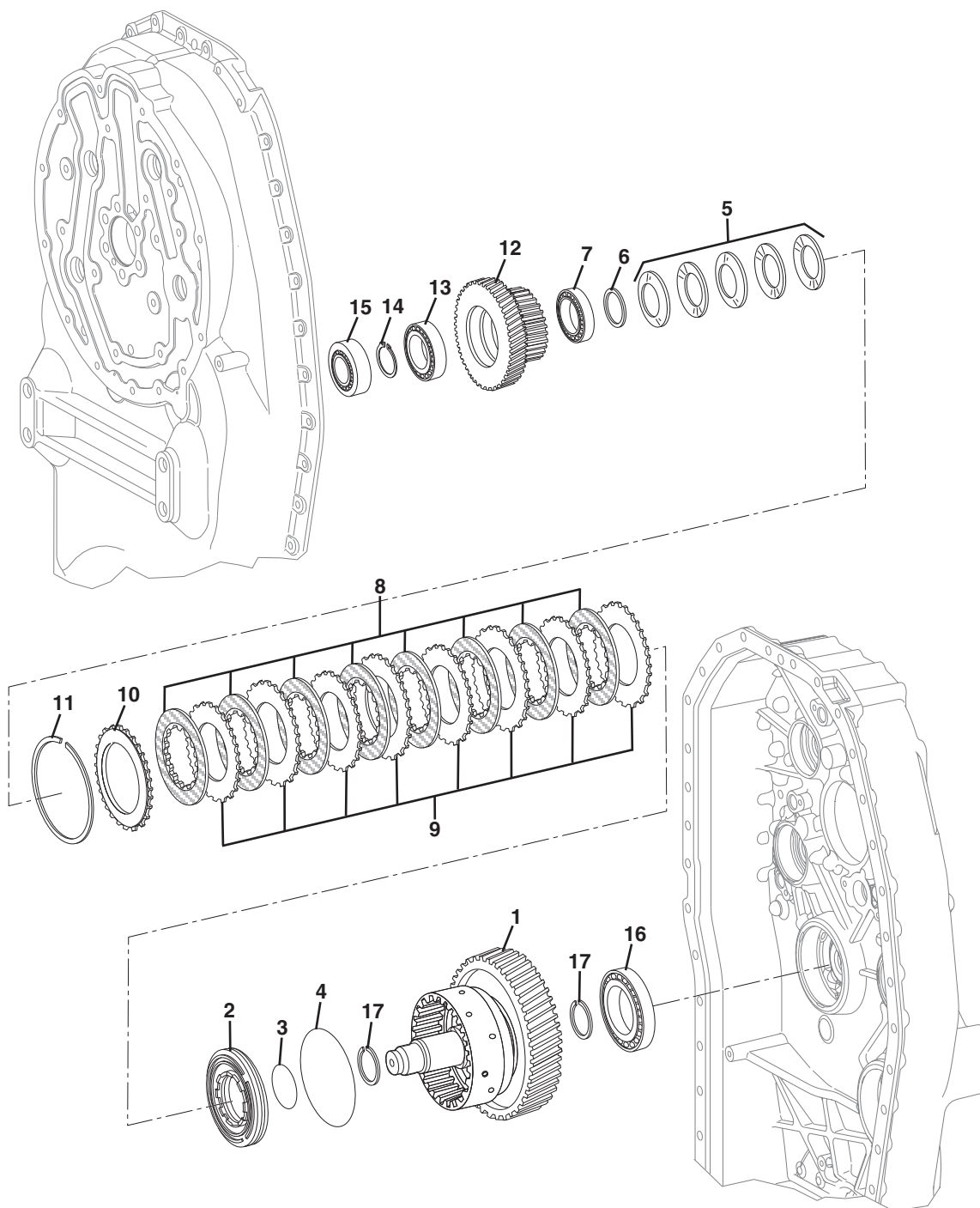
Figure 5-23 ZF Transmission - Coupling Group 2

Item	Part Number	Qty.	Description	Rev.
1	1319613	1	COUPLING	
2	8036029	1	PISTON	
3	1319593	1	O-RING, 52X3.00	
4	1319594	1	O-RING, 115X3.00	
5	1319595	5	CUP SPRING	
6	1319596	1	SHIM, 2.00	
7	10731845	2	RETAINING RING, 40X1.75	
8	7026758	8	LIN.CLUTCH DISC	
9	7026759	8	O.CLUTCH DISC	
10	7026760	1	END SHIM	
11	1319600	1	SNAP RING, 4.00	
	1319601	1	SNAP RING, 3.50	
	1319602	1	SNAP RING, 3.00	
	1319603	1	SNAP RING, 2.50	
	1319604	1	SNAP RING, 2.00	
12	1319605	2	ROLLER CAGE	
13	1319606	2	ROLLER CAGE	
14	1319614	1	DISC CARRIER	
15	1319615	1	ROLLER BEARING	
16	8036190	1	ROLLER BEARING ASSY	
	7029532	1	OUTER RING	
	7029533	1	INNER RING	
17	1319612	2	PISTON RING, 30X2.00	



# DRIVE TRAIN

Figure 5-24 ZF Transmission - Coupling Group 3



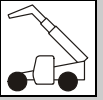
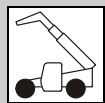


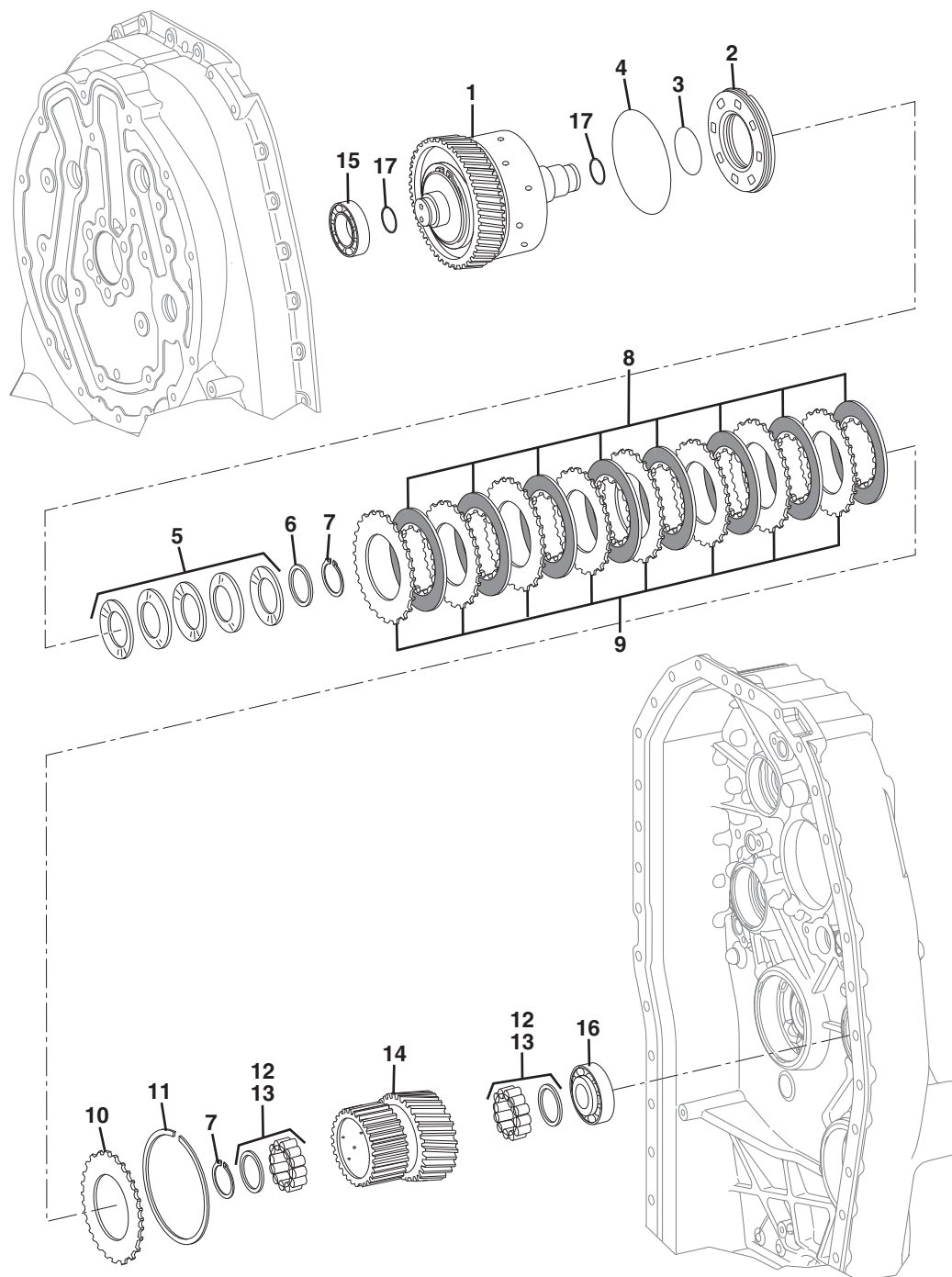
Figure 5-24 ZF Transmission - Coupling Group 3

Item	Part Number	Qty.	Description	Rev.
1	1319616	1	COUPLING	
2	8036029	1	PISTON	
3	1319593	1	O-RING, 52X3.00	
4	1319594	1	O-RING, 115X3.00	
5	1319595	5	CUP SPRING	
6	1319617	1	SUPPORT SHIM	
7	1319618	1	ROLLER BEARING	
8	7026758	8	LIN.CLUTCH DISC	
9	7026759	8	O.CLUTCH DISC	
10	7026760	1	END SHIM	
11	1319600	1	SNAP RING, 4.00	
	1319601	1	SNAP RING, 3.50	
	1319602	1	SNAP RING, 3.00	
	1319603	1	SNAP RING, 2.50	
	1319604	1	SNAP RING, 2.00	
12	1319619	1	DISC CARRIER	
13	1319620	1	ROLLER BEARING	
14	1319621	1	RETAINING RING, 3.20	
	1319622	1	RETAINING RING, 3.10	
	1319623	1	RETAINING RING, 3.00	
	1319624	1	RETAINING RING, 2.90	
	1319625	1	RETAINING RING, 2.80	
	1319626	1	RETAINING RING, 2.70	
	1319627	1	RETAINING RING, 2.60	
	1319628	1	RETAINING RING, 38X2.50	
	1319629	1	RETAINING RING, 38X2.40	
	1319630	1	RETAINING RING, 38X2.30	
	1319631	1	RETAINING RING, 38X2.20	
	1319632	1	RETAINING RING, 38X2.10	
15	8036190	1	ROLLER BEARING ASSY	
	7029532	1	OUTER RING	
	7029533	1	INNER RING	
16	1319633	1	ROLLER BEARING	
17	1319612	2	PISTON RING, 30X2.00	



# DRIVE TRAIN

Figure 5-25 ZF Transmission - Coupling Group 4



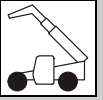


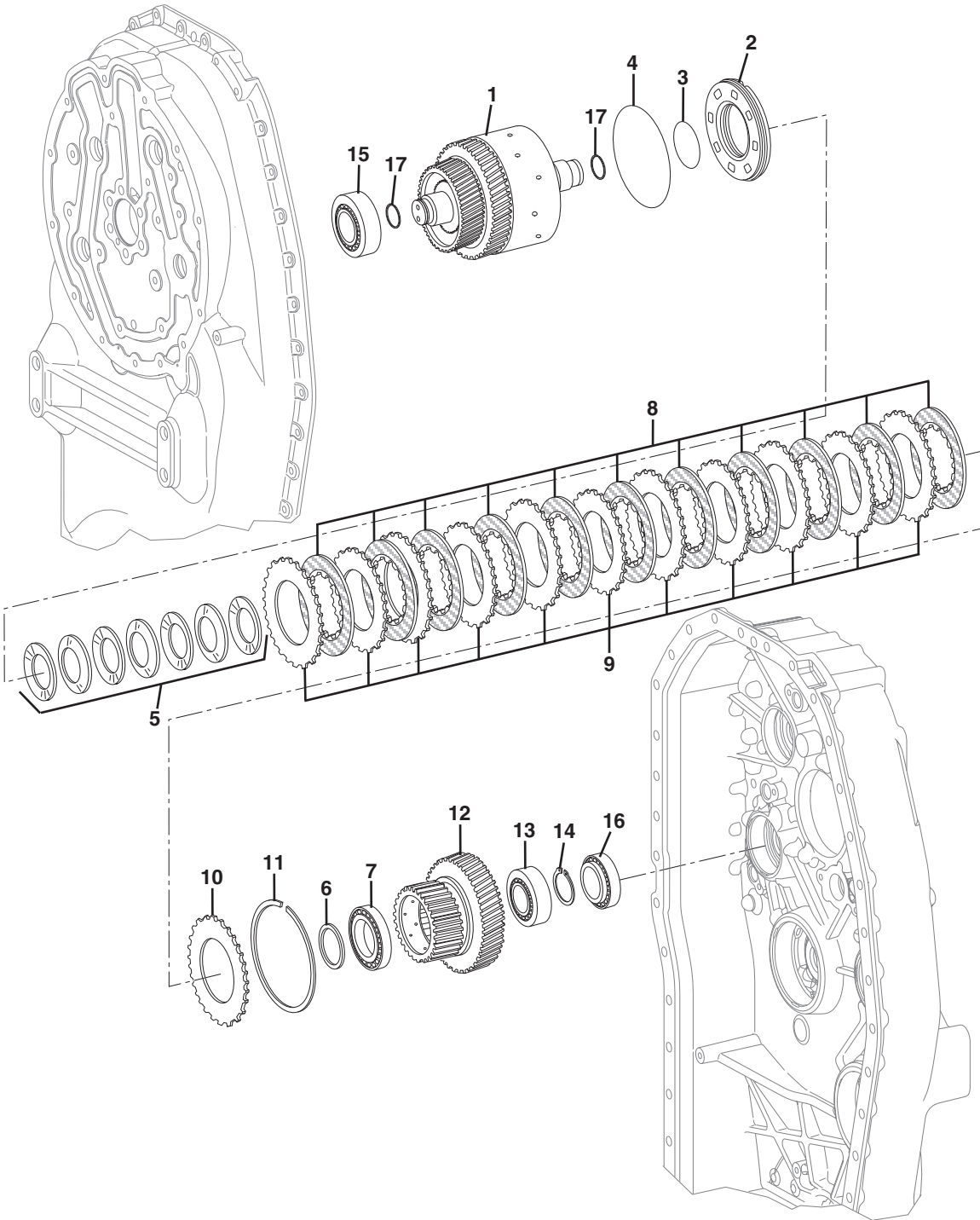
Figure 5-25 ZF Transmission - Coupling Group 4

Item	Part Number	Qty.	Description	Rev.
1	1319634	1	COUPLING	
2	8036029	1	PISTON	
3	1319593	1	O-RING	
4	1319594	1	O-RING	
5	1319595	5	CUP SPRING	
6	1319596	1	SHIM, 2.00	
7	10731845	2	RETAINING RING	
8	7026758	8	LIN.CLUTCH DISC	
9	7026759	8	O.CLUTCH DISC	
10	7026760	1	END SHIM	
11	1319600	1	SNAP RING, 4.00	
	1319601	1	SNAP RING, 3.50	
	1319602	1	SNAP RING, 3.00	
	1319603	1	SNAP RING, 2.50	
	1319604	1	SNAP RING, 2.00	
12	1319605	2	ROLLER CAGE	
13	1319606	2	ROLLER CAGE	
14	1319635	1	DISC CARRIER	
15	1319615	1	ROLLER BEARING	
16	1319636	1	ROLLER BEARING	
17	1319612	2	PISTON RING, 30X2.00	



# DRIVE TRAIN

Figure 5-26 ZF Transmission - Reversing Gear Group I



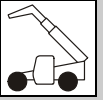


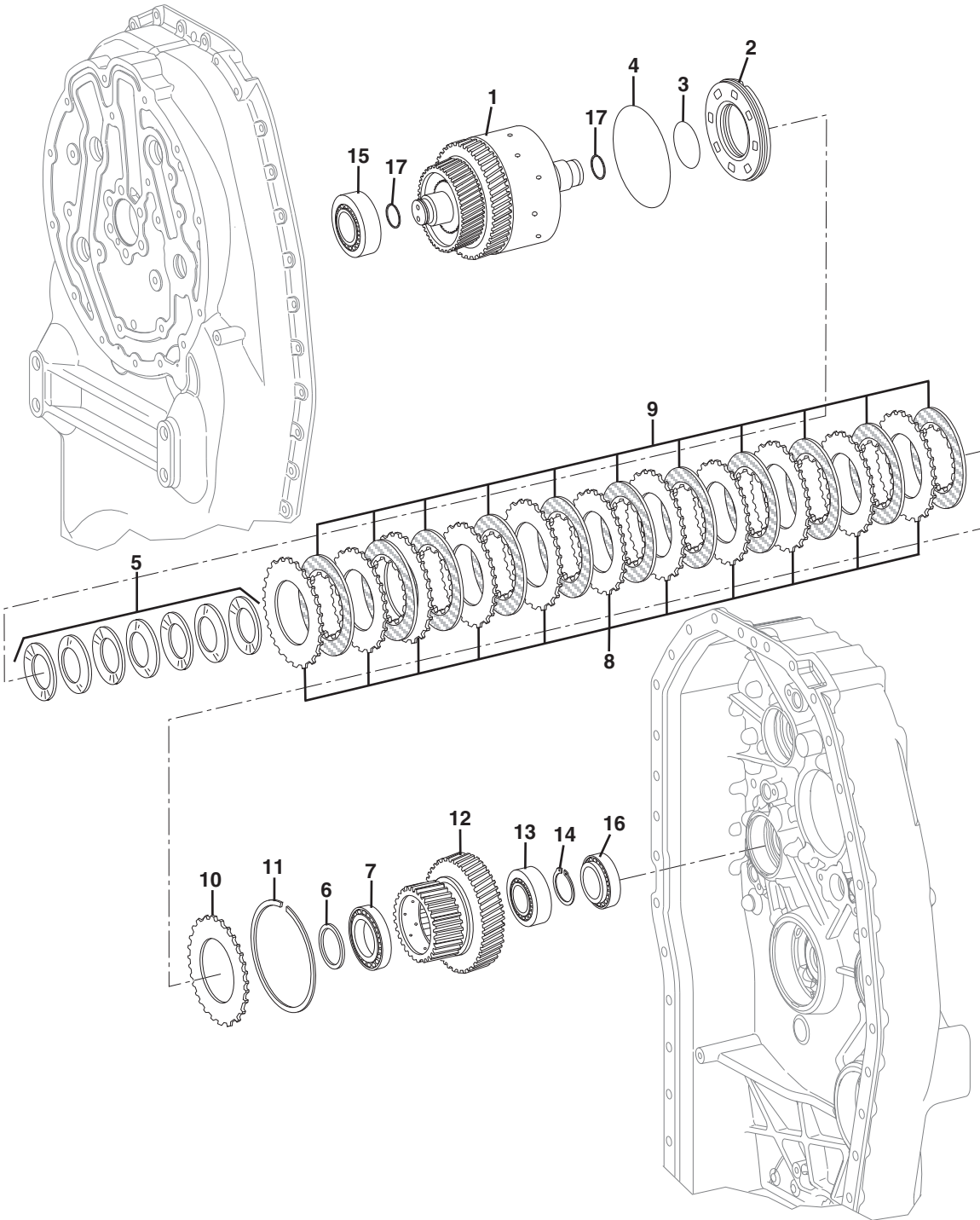
Figure 5-26 ZF Transmission - Reversing Gear Group I

Item	Part Number	Qty.	Description	Rev.
1	1319637	1	COUPLING	
2	8036029	1	PISTON	
3	1319593	1	O-RING	
4	1319594	1	O-RING	
5	1319595	7	CUP SPRING	
6	1319617	1	SUPPORT SHIM	
7	1319618	1	ROLLER BEARING	
8	7026758	11	LIN.CLUTCH DISC	
9	7026759	11	O.CLUTCH DISC	
10	7026760	1	END SHIM	
11	1319600	1	SNAP RING, 4.00	
	1319601	1	SNAP RING, 3.50	
	1319602	1	SNAP RING, 3.00	
	1319603	1	SNAP RING, 2.50	
	1319604	1	SNAP RING, 2.00	
12	1319638	1	DISC CARRIER	
13	1319620	1	ROLLER BEARING	
14	1319621	1	RETAINING RING, 3.20	
	1319622	1	RETAINING RING, 3.10	
	1319623	1	RETAINING RING, 3.00	
	1319624	1	RETAINING RING, 2.90	
	1319625	1	RETAINING RING, 2.80	
	1319626	1	RETAINING RING, 2.70	
	1319627	1	RETAINING RING, 2.60	
	1319628	1	RETAINING RING, 2.50	
	1319629	1	RETAINING RING, 2.40	
	1319630	1	RETAINING RING, 2.30	
	1319631	1	RETAINING RING, 2.20	
	1319632	1	RETAINING RING, 2.10	
15	1319615	1	ROLLER BEARING	
16	1319636	1	ROLLER BEARING	
17	1319612	2	PISTON RING, 30X2.00	



# DRIVE TRAIN

Figure 5-27 ZF Transmission - Reversing Gear Group 2



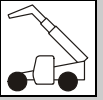


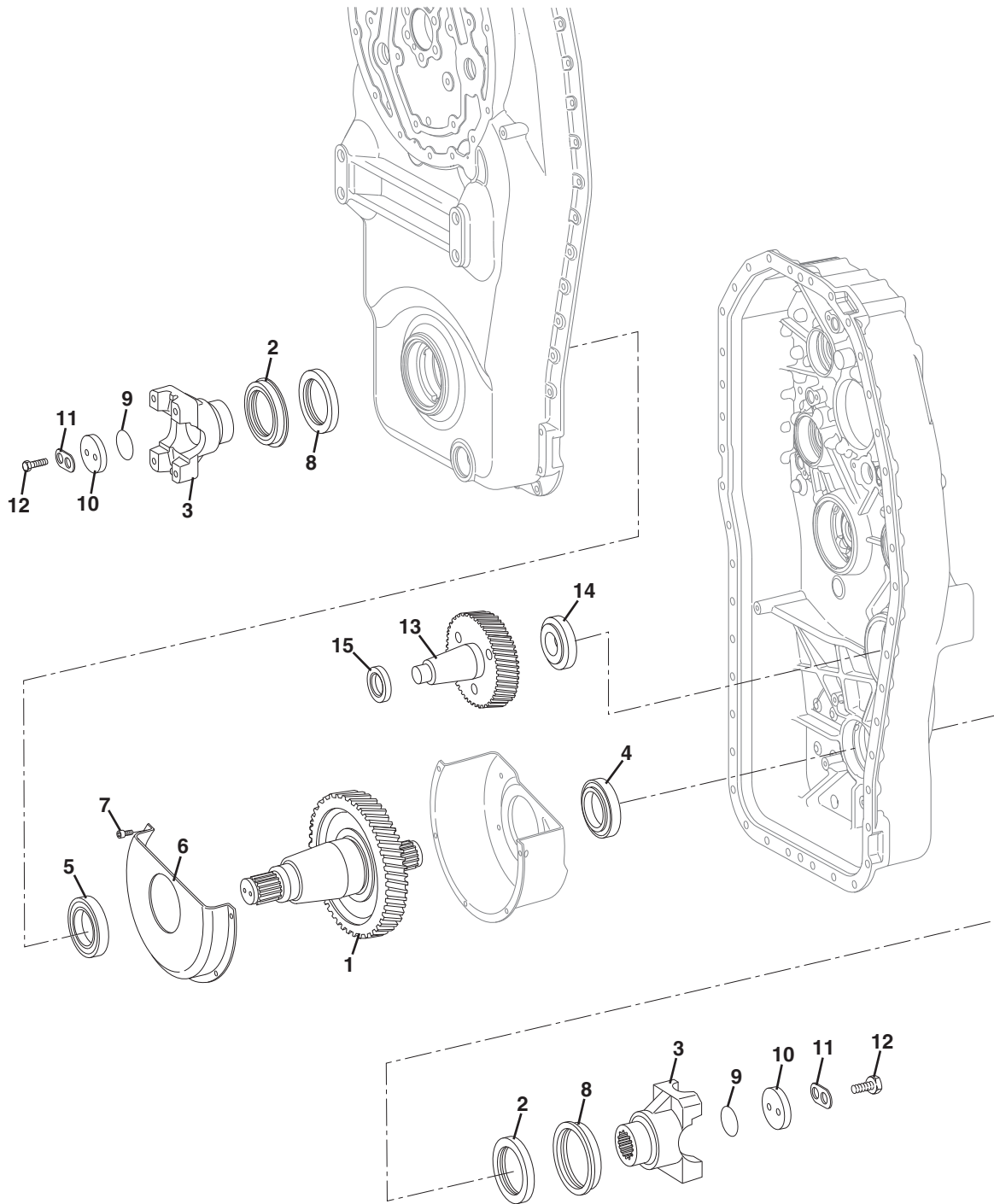
Figure 5-27 ZF Transmission - Reversing Gear Group 2

Item	Part Number	Qty.	Description	Rev.
1	1319639	1	COUPLING	
2	8036029	1	PISTON	
3	1319593	1	O-RING	
4	1319594	1	O-RING	
5	1319595	7	CUP SPRING	
6	1319617	1	SUPPORT SHIM	
7	1319618	1	ROLLER BEARING	
8	7026758	11	LIN.CLUTCH DISC	
9	7026759	11	O.CLUTCH DISC	
10	7026760	1	END SHIM	
11	1319600	1	SNAP RING, 4.00	
	1319601	1	SNAP RING, 3.50	
	1319602	1	SNAP RING, 3.00	
	1319603	1	SNAP RING, 2.50	
	1319604	1	SNAP RING, 2.00	
12	1319638	1	DISC CARRIER	
13	1319620	1	ROLLER BEARING	
14	1319621	1	RETAINING RING, 3.20	
	1319622	1	RETAINING RING, 3.10	
	1319623	1	RETAINING RING, 3.00	
	1319624	1	RETAINING RING, 2.90	
	1319625	1	RETAINING RING, 2.80	
	1319626	1	RETAINING RING, 2.70	
	1319627	1	RETAINING RING, 2.60	
	1319628	1	RETAINING RING, 2.50	
	1319629	1	RETAINING RING, 2.40	
	1319630	1	RETAINING RING, 2.30	
	1319631	1	RETAINING RING, 2.20	
	1319632	1	RETAINING RING, 2.10	
15	1319608	1	ROLLER BEARING	
16	1319636	1	ROLLER BEARING	
17	1319612	2	PISTON RING, 30X2.00	



# DRIVE TRAIN

## Figure 5-28 ZF Transmission - Output



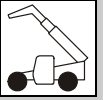


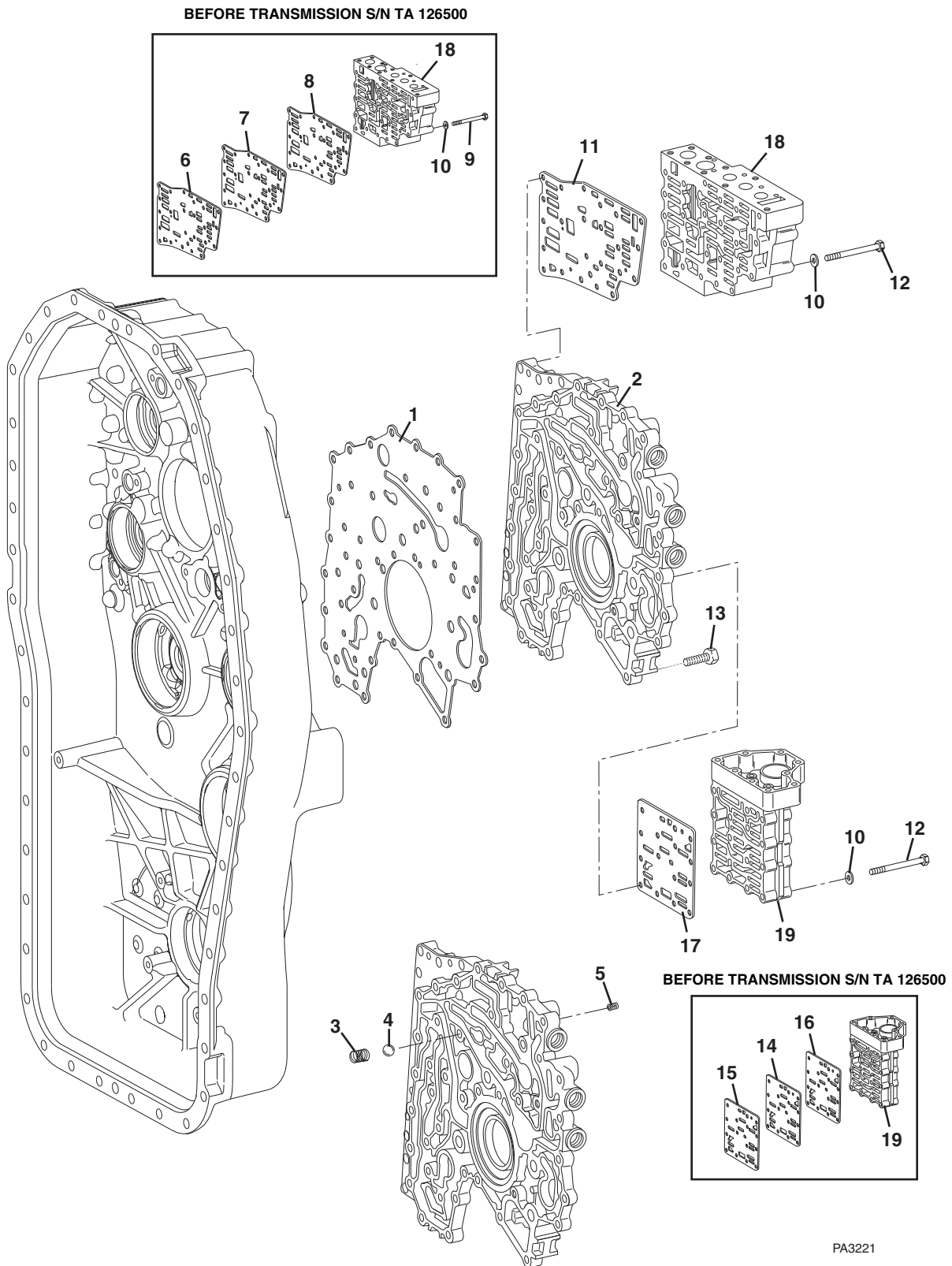
Figure 5-28 ZF Transmission - Output

Item	Part Number	Qty.	Description	Rev.
1	8036030	1	OUTPUT SHAFT	
2	1319641	2	SHAFT SEAL	
3	7027273	2	OUTPUT FLANGE	
4	NSS	1	ROLLER BEARING ASSY	
	70020430	1	CUP	
	70020431	1	CONE	
5	1319643	1	ROLLER BEARING	
6	8036031	1	SCREEN SHEET	
7	1319646	5	HEX HD CAPSCREW, M6X10mm	
8	1319647	2	SCREEN SHEET	
9	10839156	2	O-RING	
10	1319648	2	WASHER 10.00	
11	1319649	2	TAB WASHER	
12	10731959	4	HEX HD CAPSCREW, M8X25mm	
13	8036032	1	INTERMEDIATE SHAFT	
14	1319633	1	ROLLER BEARING	
15	8036190	1	ROLLER BEARING ASSY	
	7029532	1	OUTER RING	
	7029533	1	INNER RING	



# DRIVE TRAIN

## Figure 5-29 ZF Transmission - Control Unit



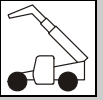


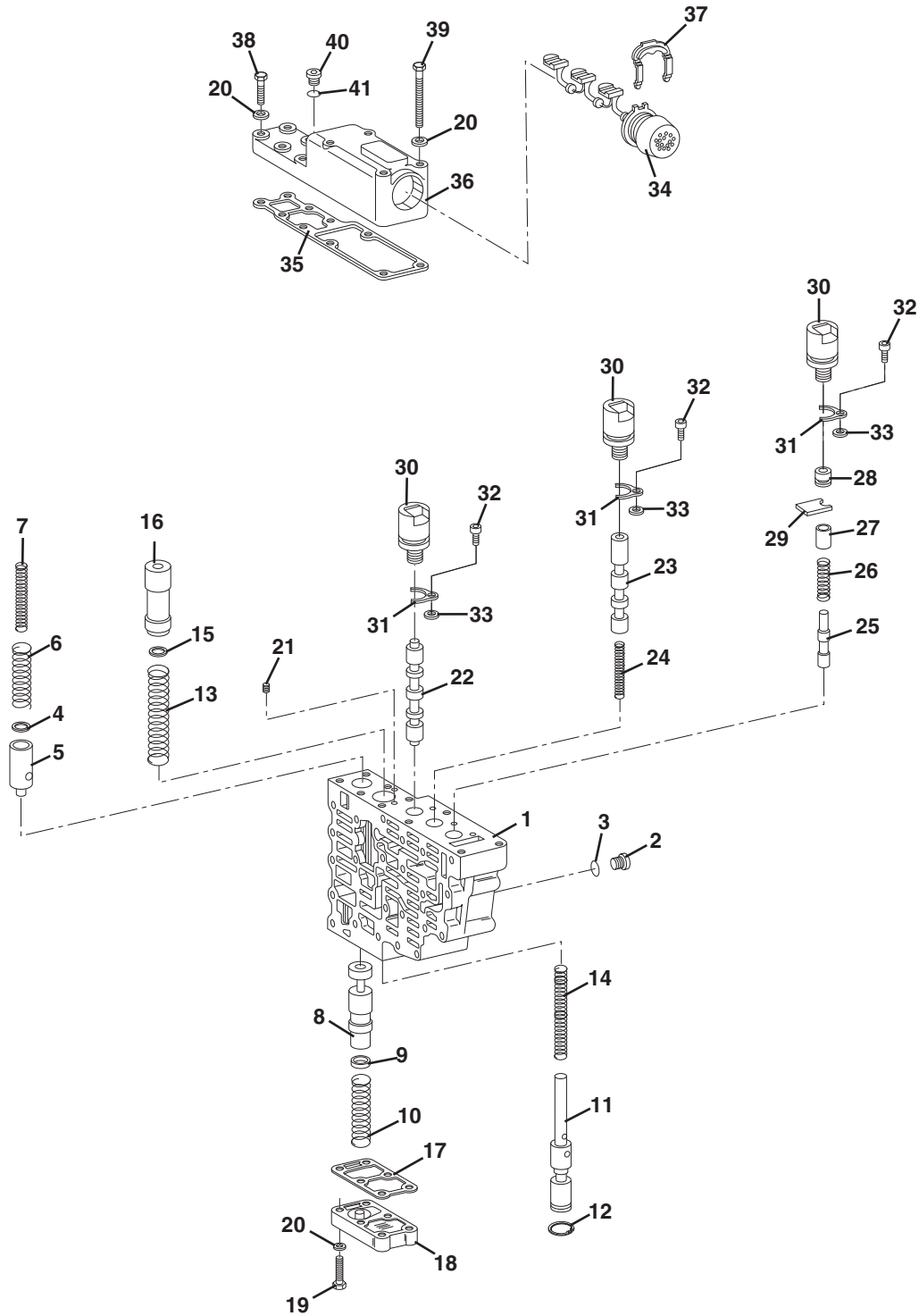
Figure 5-29 ZF Transmission - Control Unit

Item	Part Number	Qty.	Description	Rev.
1	1319650	1	GASKET	
2	8036033	1	DUCT PLATE	
3	10732072	1	COMPRESSION SPRING	
4	10732071	1	BALL	
5	1319652	1	ORIFICE	
6	NSS	1	GASKET, <b>(Before transmission S/N TA 126500)</b> , (no longer available, use items 11 & 12 for replacement)	
7	NSS	1	INTERM. SHEET, <b>(Before transmission S/N TA 126500)</b> , (no longer available, use items 11 & 12 for replacement)	
8	NSS	1	GASKET, <b>(Before transmission S/N TA 126500)</b> , (no longer available, use items 11 & 12 for replacement)	
9	1319662	19	HEX HD CAPSCREW, M6X65mm, <b>(Before transmission S/N TA 126500)</b>	
10	1319661	19	WASHER, 6.4	
11	70020425	1	INTERM. SHEET, <b>(transmission S/N TA 126500 &amp; After)</b>	
12	7029037	19	HEX HD CAPSCREW, M6X60mm, <b>(transmission S/N TA 126500 &amp; After)</b>	
13	1319659	43	TORX SCREW, M8X30mm	
14	8036035	1	GASKET, <b>(Before transmission S/N TA 126500)</b>	
15	7029720	1	INTERM. SHEET, <b>(Before transmission S/N TA 126500)</b>	
16	7029721	1	GASKET, <b>(Before transmission S/N TA 126500)</b>	
17	70020426	1	INTERM. SHEET, <b>(transmission S/N TA 126500 &amp; After)</b>	
18		Ref	VALVE HOUSING, (see Figure 5-30 for details)	
19		Ref	VALVE BLOCK, (see Figure 5-31 for details)	



# DRIVE TRAIN

Figure 5-30 ZF Transmission - Valve Housing Assembly



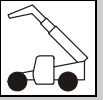


Figure 5-30 ZF Transmission - Valve Housing Assembly

Item	Part Number	Qty.	Description	Rev.
	8036040	1	VALVE HOUSING ASSY, (includes all items)	
1	1319671	1	VALVE HOUSING	
2	1319670	7	SCREW PLUG, M10X1mm	
3	10731709	7	O-RING	
4	8036036	1	WASHER, 1.00	
5	8036037	1	PISTON	
6	1319673	1	COMPRESSION SPRING	
7	8036038	1	COMPRESSION SPRING	
8	1319674	1	PISTON	
9	1319675	1	WASHER, 3.60	
	1319676	1	WASHER, 3.20	
	1319677	1	WASHER, 2.80	
	1319678	1	WASHER, 2.40	
	1319679	1	WASHER, 2.00	
10	1319680	1	COMPRESSION SPRING	
11	1319681	1	CONTROL PISTON	
12	1319682	1	LOCKWASHER, 12.0	
13	1319683	1	COMPRESSION SPRING	
14	1319684	1	COMPRESSION SPRING	
15	1319685	1	WASHER, 2.00	
	1319686	1	WASHER, 1.00	
	1319687	1	WASHER, 0.50	
	1319688	1	WASHER, 0.30	
	1319689	1	WASHER, 0.20	
16	1319690	1	PISTON	
17	1319691	1	SEAL	
18	1319692	1	COVER	
19	1319693	6	SOCKET HD CAPSCREW, M6X25mm	
20	1319661	16	WASHER, 6.4	
21	1319652	1	ORIFICE	
22	1319694	1	VALVE	
23	1319695	1	PISTON	
24	1319696	1	COMPRESSION SPRING	
25	1319697	1	PISTON	
26	1319698	1	COMPRESSION SPRING	
27	1319699	1	SPACER SLEEVE	
28	1319700	1	PLUG	
29	1319701	1	FIXING PLATE	
30	1319702	3	SOLENOID VALVE	
31	10732063	3	FIXING PLATE	
32	1319703	3	HEX HD CAPSCREW, M5X12mm	
33	10732064	3	WASHER, 2.00	
34	1319704	1	WIRING HARNESS	
35	1319705	1	SEAL	
36	8036039	1	COVER	
37	1319707	1	RETAINING CLAMP	
38	1319693	6	HEX HD CAPSCREW, M6X25mm	
39	1319708	4	HEX HD CAPSCREW, M6X60mm	
40	1319670	1	SCREW PLUG, M10X1mm	



## DRIVE TRAIN

Figure 5-30 ZF Transmission - Valve Housing Assembly (Continued)

Item	Part Number	Qty.	Description	Rev.
41	10731709	1	O-RING, 8X1.5mm	

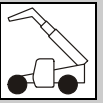
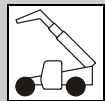


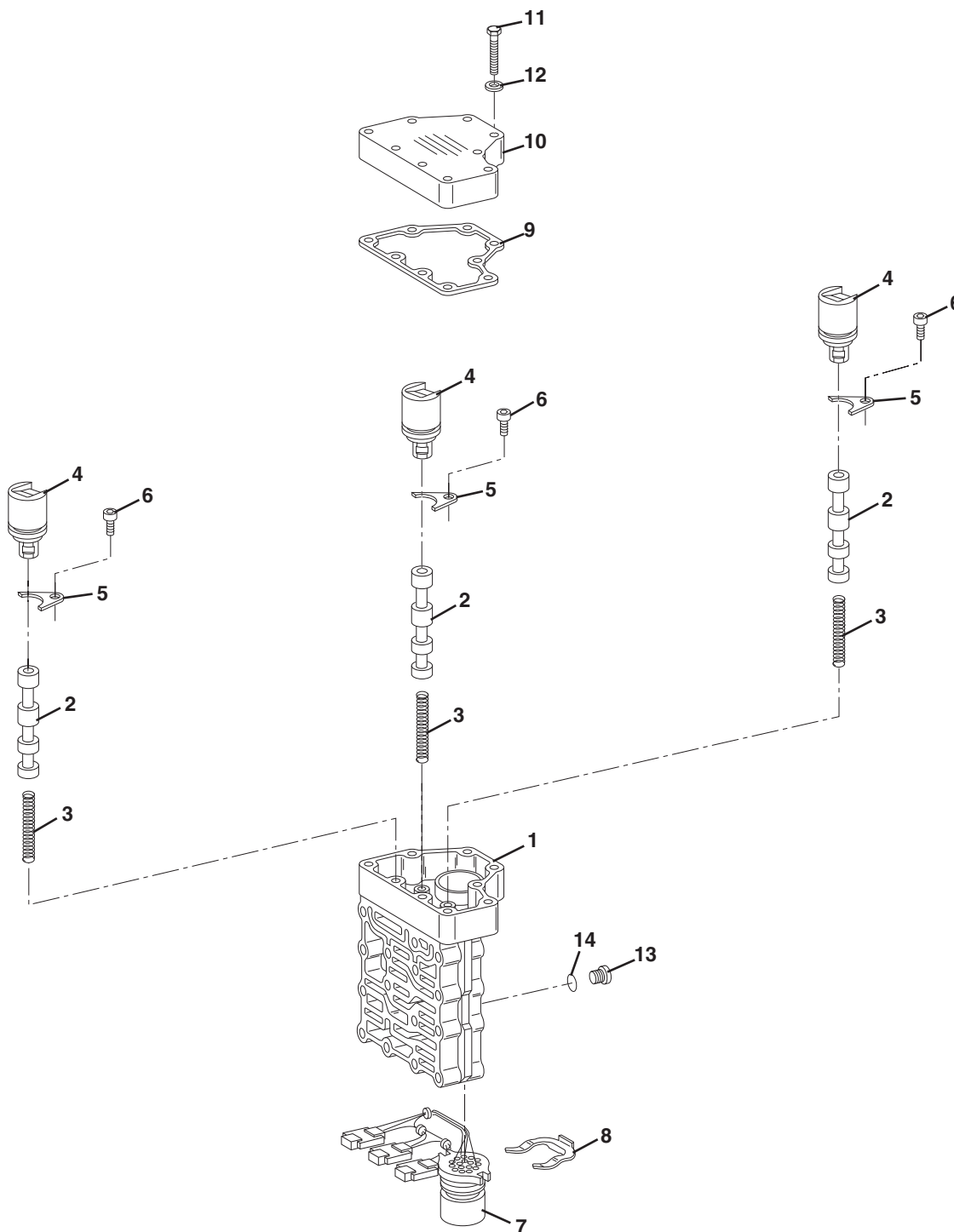
Figure 5-30 ZF Transmission - Valve Housing Assembly (Continued)

Item	Part Number	Qty.	Description	Rev.



# DRIVE TRAIN

Figure 5-31 ZF Transmission - Valve Block Assembly



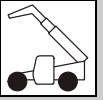


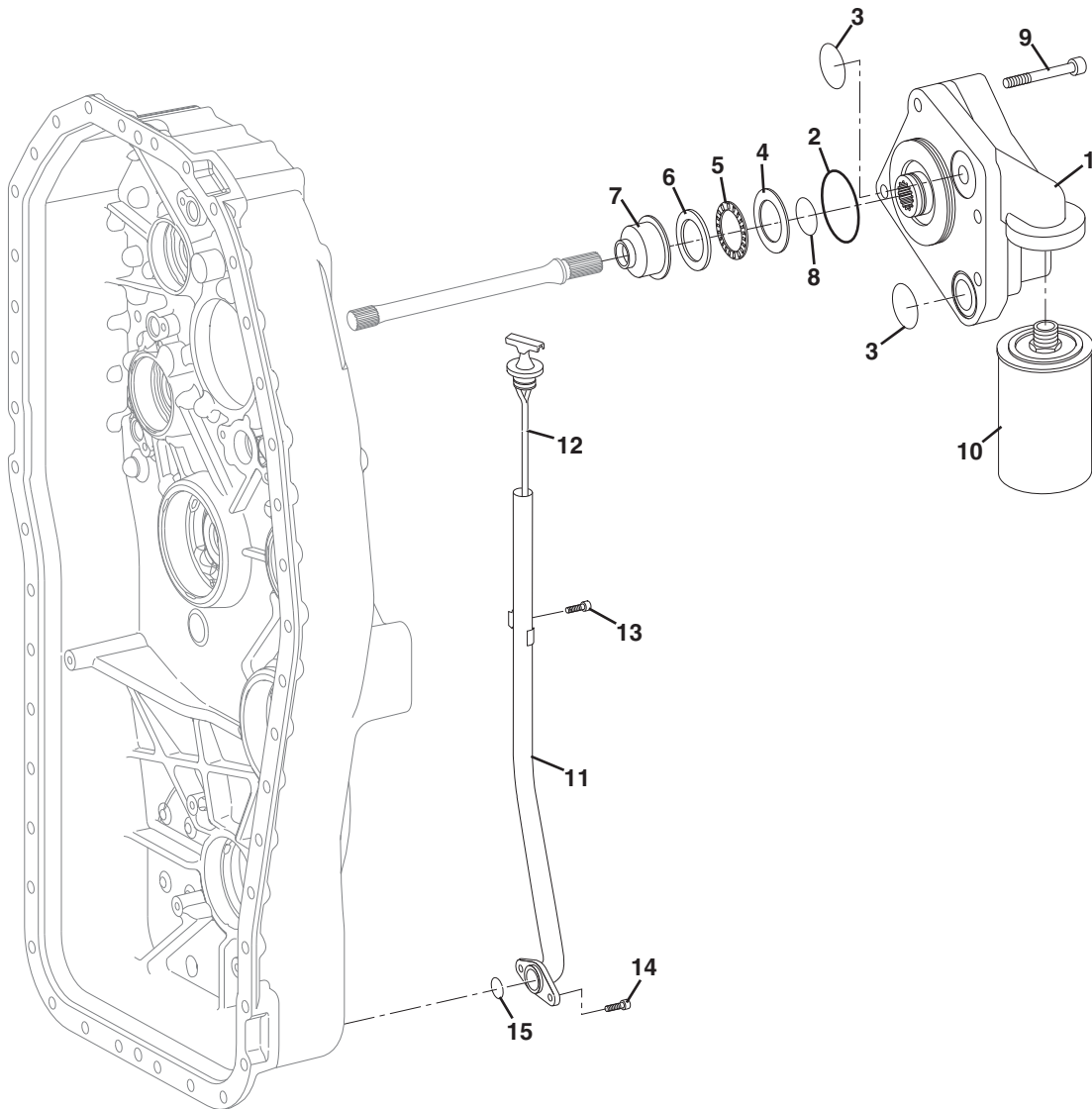
Figure 5-31 ZF Transmission - Valve Block Assembly

Item	Part Number	Qty.	Description	Rev.
	70020427	1	VALVE BLOCK ASSY, (includes all items), (1-piece gasket design)	
1	1319709	1	VALVE BLOCK	
2	1319710	3	PISTON	
3	1319696	3	COMPRESSION SPRING	
4	1319702	3	SOLENOID VALVE	
5	10732063	3	FIXING PLATE	
6	1319703	3	SOCKET HD CAPSCREW, M5X12mm	
7	1319711	1	WIRING HARNESS	
8	1319707	1	RETAINING CLAMP	
9	1319712	1	GASKET	
10	1319713	1	COVER	
11	1319714	9	HEX HD CAPSCREW, M5X32mm	
12	1319715	9	WASHER, 5.3	
13	1319670	3	SCREW PLUG, M10X1mm	
14	10731709	3	O-RING	



# DRIVE TRAIN

Figure 5-32 ZF Transmission - Oil Pump & Filter



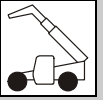


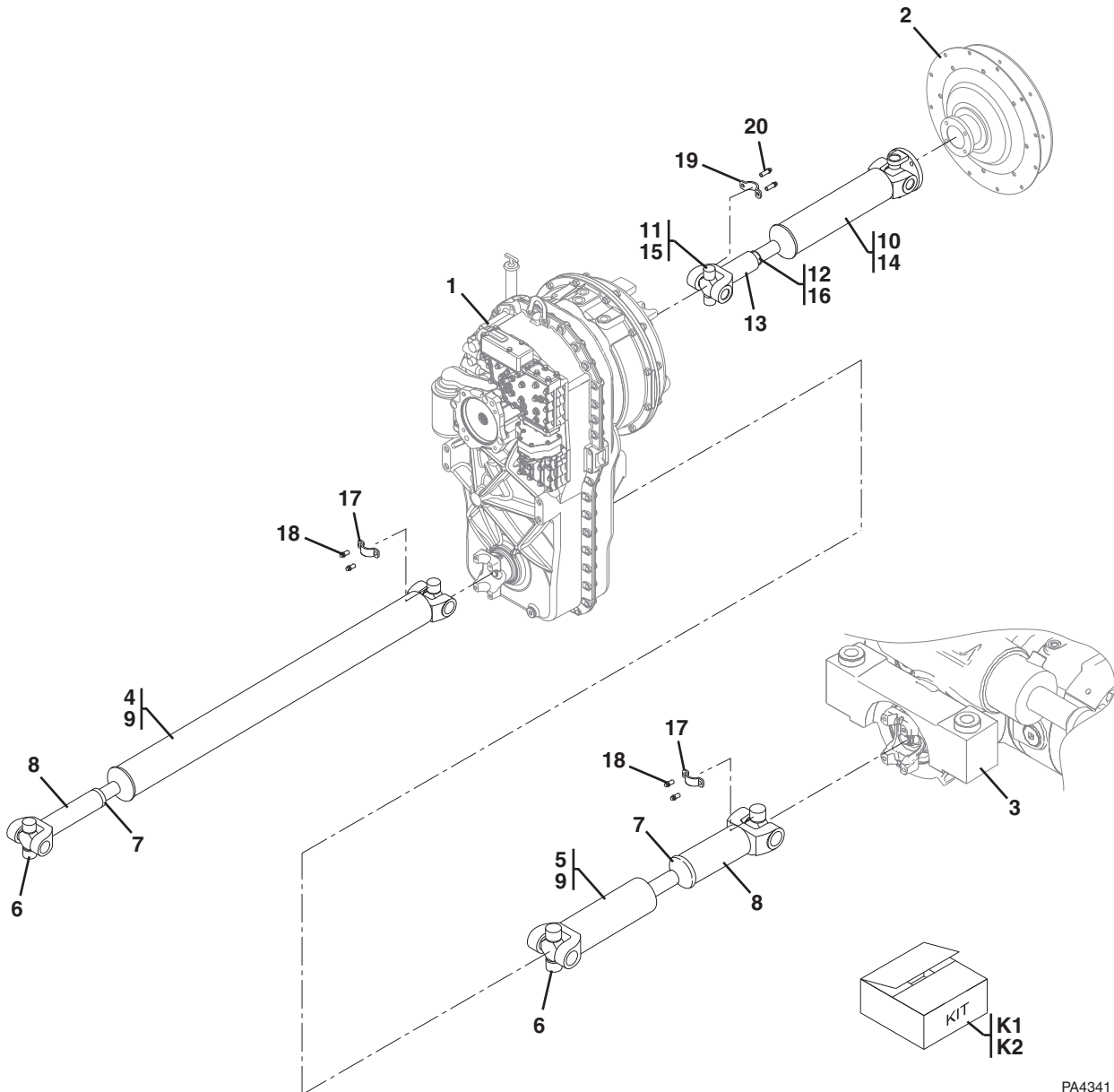
Figure 5-32 ZF Transmission - Oil Pump &amp; Filter

Item	Part Number	Qty.	Description	Rev.
1	1319718	1	PUMP, (includes item 2)	
	7029417	1	O-RING, (between pump halves), (not shown)	
2	8036250	1	O-RING	
3	1319719	2	O-RING	
4	1319720	1	AXIAL WASHER, 40X60X1	
5	1319721	1	AXIAL NEEDLE CAGE	
6	1319722	1	ANGLE DISC	
7	1319723	1	SPACER BUSHING	
8	1319724	1	O-RING	
9	1319725	4	HEX HD CAPSCREW, M12X115mm	
10	1319726	1	TRANSMISSION FILTER	
11	8036041	1	DIPSTICK TUBE	
12	8036042	1	DIPSTICK	
13	1319585	1	SOCKET HD CAPSCREW, M8X16mm	
14	1319582	1	SOCKET HD CAPSCREW, M8X20mm	
15	1319581	1	O-RING	



# DRIVE TRAIN

Figure 5-33 Drive Shafts



PA4341

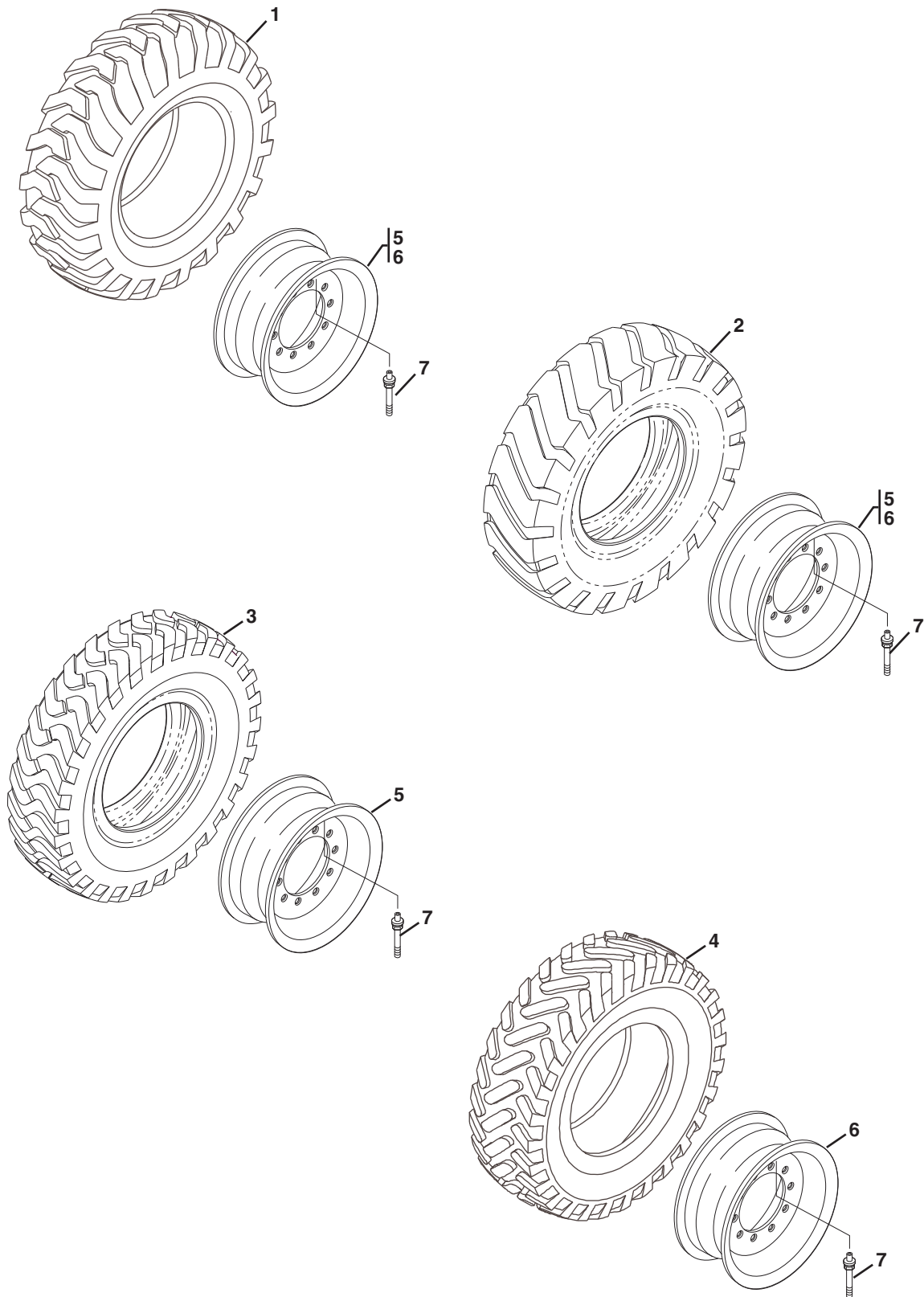


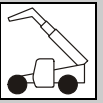
Figure 5-33 Drive Shafts

Item	Part Number	Qty.	Description	Rev.
1		Ref	ZF TRANSMISSION, (see Figure 5-18 for details)	
2		Ref	ISOLATION COUPLER, (see Figure 4-6 for details)	
3		Ref	REAR AXLE, (see Figure 5-10 for details)	
4	7150579	1	FRONT AXLE DRIVE SHAFT, (includes items 6 thru 9)	C
5	7150580	1	REAR AXLE DRIVE SHAFT, (includes items 6 thru 9)	C
6	8036433	4	CROSS & BEARING KIT	
7	8035779	2	DUST CAP KIT	
8	NSS	2	SLIP JOINT	
9	NSS	2	YOKE SHAFT	
10	7139509	1	DRIVE SHAFT - ENGINE TO TRANSMISSION, (S/N 17019 thru 19796), (includes items 11 thru 14)	
	7302028	1	DRIVE SHAFT - ENGINE TO TRANSMISSION, (S/N 19797 thru 19897 & 0160002408 & After), (includes items 13 thru 16)	D
11	8036432	2	CROSS & BEARING KIT, (S/N 17019 thru 19796)	
12	8033002	1	DUST CAP KIT, (S/N 17019 thru 19796)	
13	NSS	1	SLIP JOINT	
14	NSS	1	YOKE SHAFT	
15	7029271	2	CROSS & BEARING KIT, (S/N 19797 thru 19897 & 0160002408 & After)	
16	8033651	1	DUST CAP KIT, (S/N 19797 thru 19897 & 0160002408 & After)	
17	Use Kit K1	8	STRAP, (use kit 8880218-OM for replacement)	
18	Use Kit K1	16	SCREW, (torque to 32-42 lb-ft), (must replace when removed, do not re-torque), (use kit 8880218-OM for replacement)	
19	Use Kit K2	2	STRAP, (use kit 8880219-OM for replacement)	
20	Use Kit K2	4	SCREW, (torque to 35 lb-ft), (must replace when removed, do not re-torque), (use kit 8880219-OM for replacement)	
K1	8880218-OM	1	STRAP KIT, (includes qty. 2 of item 17 & qty. 4 of item 18)	
K2	8880219-OM	1	STRAP KIT, (includes qty. 2 of item 19 & qty. 4 of item 20)	



**Figure 5-34 Tires & Rims (Pneumatic)**



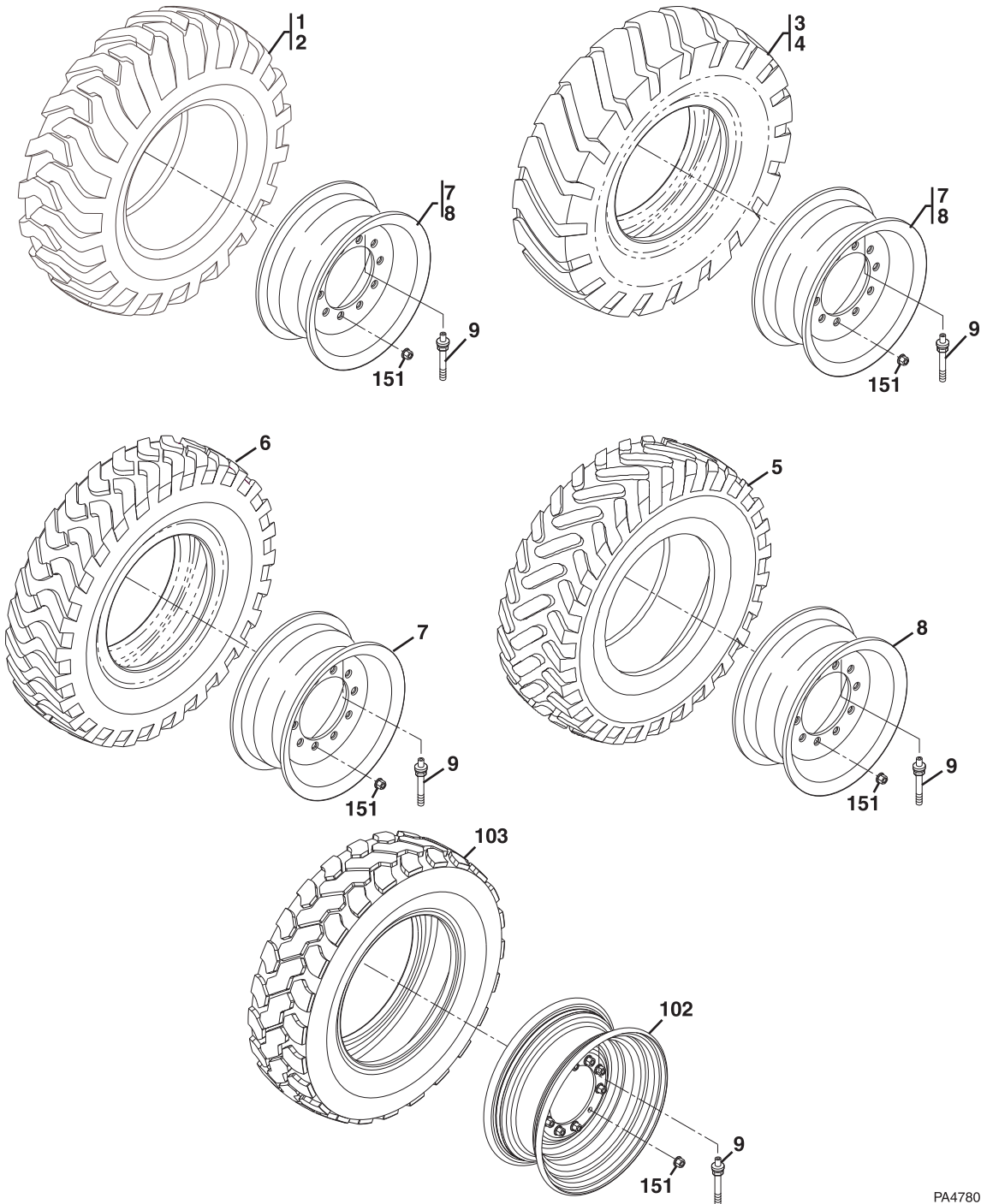


**Figure 5-34 Tires & Rims (Pneumatic)**

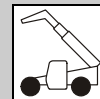
Item	Part Number	Qty.	Description	Rev.
	7139605	1	GRADER TIRE & RIM ASSY, (right side) - 13.00 X 24, 12 PLY, (includes items 1, 5 & 7)	F
	7139606	1	GRADER TIRE & RIM ASSY, (left side) - 13.00 X 24, 12 PLY, (includes items 1, 5 & 7)	F
	4520429	1	GRADER TIRE & RIM ASSY, (right side) - 15.50 X 25, 12 PLY, (includes items 1, 6 & 7)	B
	4520430	1	GRADER TIRE & RIM ASSY, (left side) - 15.50 X 25, 12 PLY, (includes items 1, 6 & 7)	B
	7139741	1	ROCK TIRE & RIM ASSY, 15.5-25 12 PLY, (includes items 2, 6 & 7)	D
	4520405	1	ROCK TIRE & RIM ASSY, 13 X 24, 12 PLY, (includes items 2, 5 & 7)	B
	7300704	1	STEEL BELTED RADIAL TIRE & RIM ASSY, 13 X 24, 12 PLY, (includes items 3, 5 & 7)	E
	4520437	1	STEEL BELTED RADIAL TIRE & RIM ASSY, 15.5 X 25, 12 PLY, (includes items 4, 6 & 7)	B
1	8780031	1	GRADER TIRE, 13.00 X 24, 12 PLY	
	8780036	1	GRADER TIRE, 15.50 X 25, 12 PLY	
2	8780050	1	ROCK TIRE, 25.5-25, 12 PLY	
	8780045	1	ROCK TIRE, 13.00R24, 12-PLY	
3	8780264	1	STEEL BELTED RADIAL TIRE, 13.00R24 XGLA2	
4	8780048	1	STEEL BELTED RADIAL TIRE, 15.50R25 L2	
5	7301055	1	RIM, 9 X 24 1.06 OFFSET, (Argent replaces all colors)	
6	7301142	1	RIM, 13 x 25 LR 1.18 OFFSET	
7	8786514	1	VALVE STEM	
8	7139743	4	STEER ANGLE SPACER, (used with 7139741 only), (not shown)	
N1	Note	Ref	<b>WHEN ORDERING TIRES CONTACT JLG AND SPECIFY THE BRAND OF TIRE.</b>	



Figure 5-34 Tires & Rims (Pneumatic)



PA4780

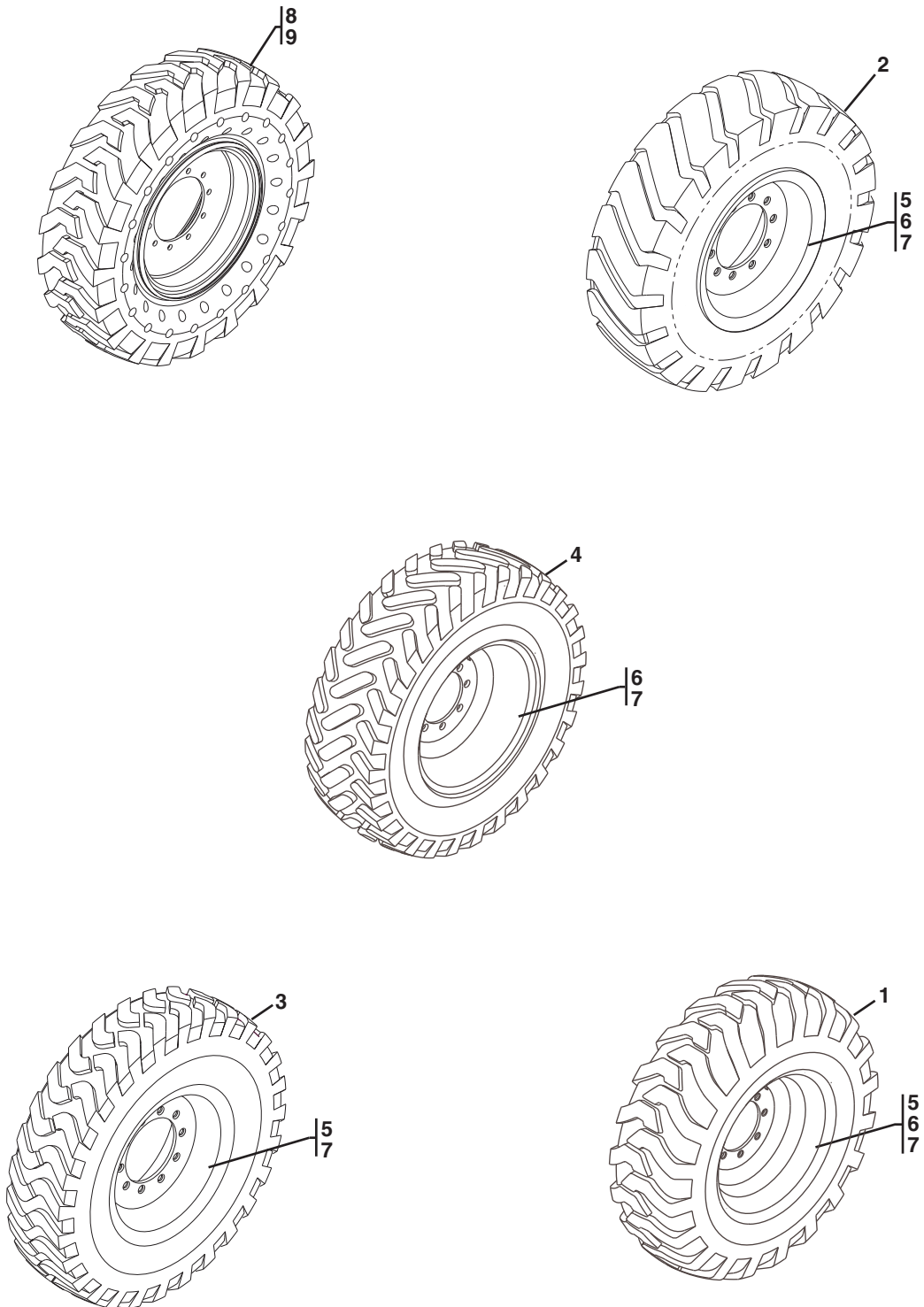


**Figure 5-34 Tires & Rims (Pneumatic)**

Item	Part Number	Qty.	Description	Rev.
	7138658	1	TIRE & RIM ASSY, (right side), 13.00 X 24, 12 PLY, G2, (includes items 1, 7 & 9)	D
	7138659	1	TIRE & RIM ASSY, (left side), 13.00 X 24, 12 PLY, (includes items 1, 7 & 9)	D
	7138660	1	TIRE & RIM ASSY, (right side), 15.50 X 25, 12 PLY, G2, (includes items 2, 8 & 9)	D
	7138661	1	TIRE & RIM ASSY, (left side), 15.50 X 25, 12 PLY, G2, (includes items 2, 8 & 9)	E
	7139168	1	ROCK TIRE & RIM ASSY, 13.00 X 24, 12 PLY, G-3, (includes items 3, 7 & 9)	C
	4520466	1	ROCK TIRE & RIM ASSY, 15.50 X 25, 12 PLY, L3, (includes items 5, 8 & 9)	A
	4520412	1	STEEL BELTED RADIAL TIRE & RIM ASSY, 13 X 24, 12 PLY, L2/G-2, (includes items 6, 7 & 9)	A
	7139165	1	STEEL BELTED RADIAL TIRE & RIM ASSY, 15.5 X 25, 12 PLY, (includes items 4, 8 & 9)	C
	1001100324	1	TIRE & RIM ASSY, 370/75-28, 14 PLY, (includes items 9, 102 & 103)	C
1	8780031	1	TIRE, 13.00 X 24, 12 PLY	
2	8780036	1	TIRE, 15.50 X 25, 12 PLY	
3	8780045	1	ROCK TIRE, 13.00R24, 12-PLY	
4	8780048	1	STEEL BELTED RADIAL TIRE, 15.50R25	
5	8780050	1	ROCK TIRE, 25.5-25, 12 PLY	
6	8780264	1	STEEL BELTED RADIAL TIRE, 13.00R24	
7	7301054	1	RIM, 9 X 24-1.06 OFFSET	
8	7301056	1	RIM, 13 X 25-1.18 OFFSET	
9	8786514	1	VALVE STEM	
102	1001100005	1	RIM, 28X11, 1.18 OFFSET	
103	1001100284	1	TIRE, 370/75-28, 14 PLY	
151		Ref	WHEEL NUT, (see Figure 5-1 for details)	
N1	Note	Ref	<b>WHEN ORDERING TIRES CONTACT JLG AND SPECIFY THE BRAND OF TIRE.</b>	



Figure 5-35 Tires & Rims (Foam Filled & Solid)



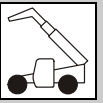
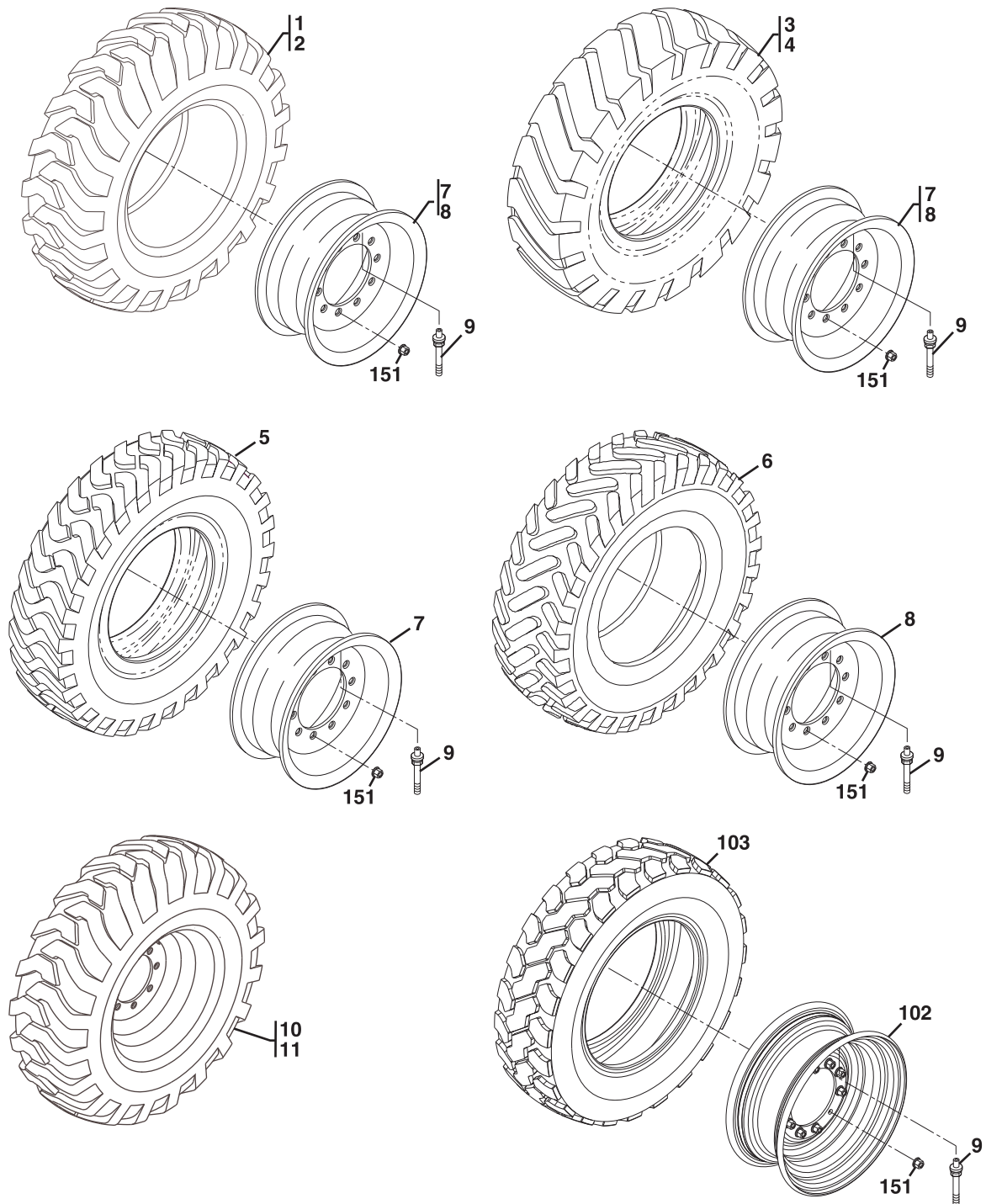


Figure 5-35 Tires & Rims (Foam Filled & Solid)

Item	Part Number	Qty.	Description	Rev.
	7139739	1	GRADER TIRE & RIM ASSY, (right side), FOAM FILLED - 13.00 X 24, 12 PLY, G-2, (includes items 1, 5 & 7)	D
	7139740	1	GRADER TIRE & RIM ASSY, (left side), FOAM FILLED - 13.00 X 24, 12 PLY, G-2, (includes items 1, 5 & 7)	D
	4520431	1	GRADER TIRE & RIM ASSY, (right side), FOAM FILLED - 15.50 X 25, 12 PLY, G-2, (includes items 1, 6 & 7)	B
	4520432	1	GRADER TIRE & RIM ASSY, (left side), FOAM FILLED - 15.50X25, 12 PLY, G-2, (includes items 1, 6 & 7)	B
	4520320	1	ROCK TIRE & RIM ASSY, FOAM FILLED - 13.00 X 24, 12 PLY, (tire no longer available, order 7301845 for replacement), (includes items 2, 5 & 7)	B
	7301845	1	ROCK TIRE & RIM ASSY, FOAM FILLED - 13.00 X 24, 12 PLY, (includes items 2, 5 & 7)	C
	4520435	1	ROCK TIRE & RIM ASSY, FOAM FILLED - 15.50 x 25, 12 PLY, SRG L3, (includes items 2, 6 & 7)	B
	4520407	1	STEEL BELTED RADIAL TIRE & RIM ASSY, FOAM FILLED - 13.00 X 24, 12 PLY, (includes items 3, 5 & 7)	B
	4520438	1	STEEL BELTED RADIAL TIRE & RIM ASSY, FOAM FILLED - 15.50 X 25, 12 PLY L2, (includes items 4, 6 & 7)	B
	4520651	1	SOLID TIRE SET, 13.00 x 24, (includes items 8 & 9)	C
1	8780031	1	GRADER TIRE, 13.00X24, 12 PLY	
	8780036	1	GRADER TIRE, 15.50X25, 12 PLY	
2	8780045	1	ROCK TIRE, 13.00R24, 12 PLY	
	8780050	1	ROCK TIRE, 15.5-25, 12 PLY,	
3	8780264	1	STEEL BELTED RADIAL TIRE, 13.00R24	
4	8780048	1	STEEL BELTED RADIAL TIRE, 15.50R25	
5	7301055	1	RIM, 9 X 24 1.06 OFFSET	
6	7301142	1	RIM, 13 x 25 LR 1.18 OFFSET	
7	8786514	1	VALVE STEM	
8	4520652	1	RH SOLID TIRE & WHEEL ASSY	C
9	4520653	1	LH SOLID TIRE & WHEEL ASSY	C
N1	Note	Ref	<b>WHEN ORDERING TIRES CONTACT JLG AND SPECIFY THE BRAND OF TIRE.</b>	
N2	Note	Ref	<b>ASSEMBLIES MAY REQUIRE BALLAST/FOAM FILLING TO MANUFACTURER'S SPECIFICATIONS PRIOR TO INSTALLING ON A MACHINE. REFER TO OPERATION &amp; SAFETY OR SERVICE &amp; MAINTENANCE MANUALS. PURCHASE INDIVIDUAL TIRE AND/OR RIM ONLY IF ABLE TO FOAM FILL TIRE &amp; WHEEL ASSEMBLY, OTHERWISE, PURCHASE COMPLETE ASSEMBLY.</b>	



Figure 5-35 Tires & Rims (Foam Filled & Solid)



PA4790

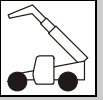


Figure 5-35 Tires & Rims (Foam Filled & Solid)

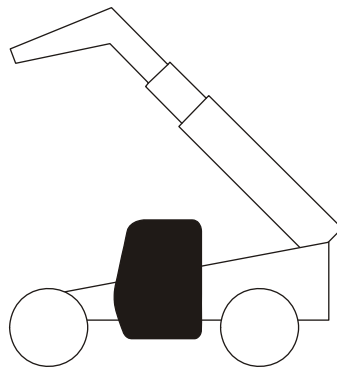
Item	Part Number	Qty.	Description	Rev.
	7139159	1	TIRE & RIM ASSY, (right side), FOAM FILLED, 13.00 X 24, 12 PLY, G-2, (includes items 1, 7 & 9)	D
	7139160	1	TIRE & RIM ASSY, (left side), FOAM FILLED, 13.00 X 24, 12 PLY, G-2, (includes items 1, 7 & 9)	D
	7139161	1	TIRE & RIM ASSY, (right side), FOAM FILLED, 15.50 X 25, 12 PLY, L2, (includes items 2, 8 & 9)	C
	7139162	1	TIRE & RIM ASSY, (left side), FOAM FILLED, 15.50 X 25, 12 PLY, L2, (includes items 2, 8 & 9)	C
	4520319	1	ROCK TIRE & RIM ASSY, FOAM FILLED, 13.00 X 24, 12 PLY, G-3, (includes items 3, 7 & 9)	B
	4520467	1	ROCK TIRE & RIM ASSY, FOAM FILLED, 15.50 X 25, 12 PLY, L3, (includes items 4, 8 & 9)	A
	4520413	1	STEEL BELTED RADIAL TIRE & RIM ASSY, FOAM FILLED, 13.00 X 24, 12 PLY, L2/G-2, (includes items 5, 7 & 9)	A
	4520469	1	STEEL BELTED RADIAL TIRE & RIM ASSY, FOAM FILLED, 15.50 X 25, 12 PLY, L2, (includes items 6, 8 & 9)	A
	4520648	1	SOLID TIRE SET, 13.00 x 24, (includes items 10 & 11)	B
	1001121085	1	TIRE & RIM ASSY, 370/75-28, 14 PLY, FOAM FILLED, 464lb, (includes items 9, 102 & 103)	A
1	8780031	1	TIRE, 13.00X24, 12 PLY	
2	8780036	1	TIRE, 15.50 X 25, 12 PLY	
3	8780045	1	ROCK TIRE, 13.00R24, 12 PLY	
4	8780050	1	ROCK TIRE, 15.50 X 25, 12 PLY	
5	8780264	1	STEEL BELTED RADIAL TIRE, 13.00R24	
6	8780048	1	STEEL BELTED RADIAL TIRE, 15.50R25	
7	7301054	1	RIM, 9 X 24 1.06 OFFSET	
8	7301056	1	RIM, 13 x 25 LR 1.18 OFFSET	
9	8786514	1	VALVE STEM	
10	4520649	1	RH SOLID TIRE & WHEEL ASSY	B
11	4520650	1	LH SOLID TIRE & WHEEL ASSY	B
102	1001100005	1	RIM, 28X11, 1.18 OFFSET	
103	1001100284	1	TIRE, 370/75-28, 14 PLY	
151		Ref	WHEEL NUT, (see Figure 5-1 for details)	
N1	Note	Ref	<b>WHEN ORDERING TIRES CONTACT JLG AND SPECIFY THE BRAND OF TIRE.</b>	
N2	Note	Ref	<b>ASSEMBLIES MAY REQUIRE BALLAST/FOAM FILLING TO MANUFACTURER'S SPECIFICATIONS PRIOR TO INSTALLING ON A MACHINE. REFER TO OPERATION &amp; SAFETY OR SERVICE &amp; MAINTENANCE MANUALS. PURCHASE INDIVIDUAL TIRE AND/OR RIM ONLY IF ABLE TO FOAM FILL TIRE &amp; WHEEL ASSEMBLY, OTHERWISE, PURCHASE COMPLETE ASSEMBLY.</b>	

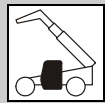


## DRIVE TRAIN

**This Page Intentionally Left Blank**

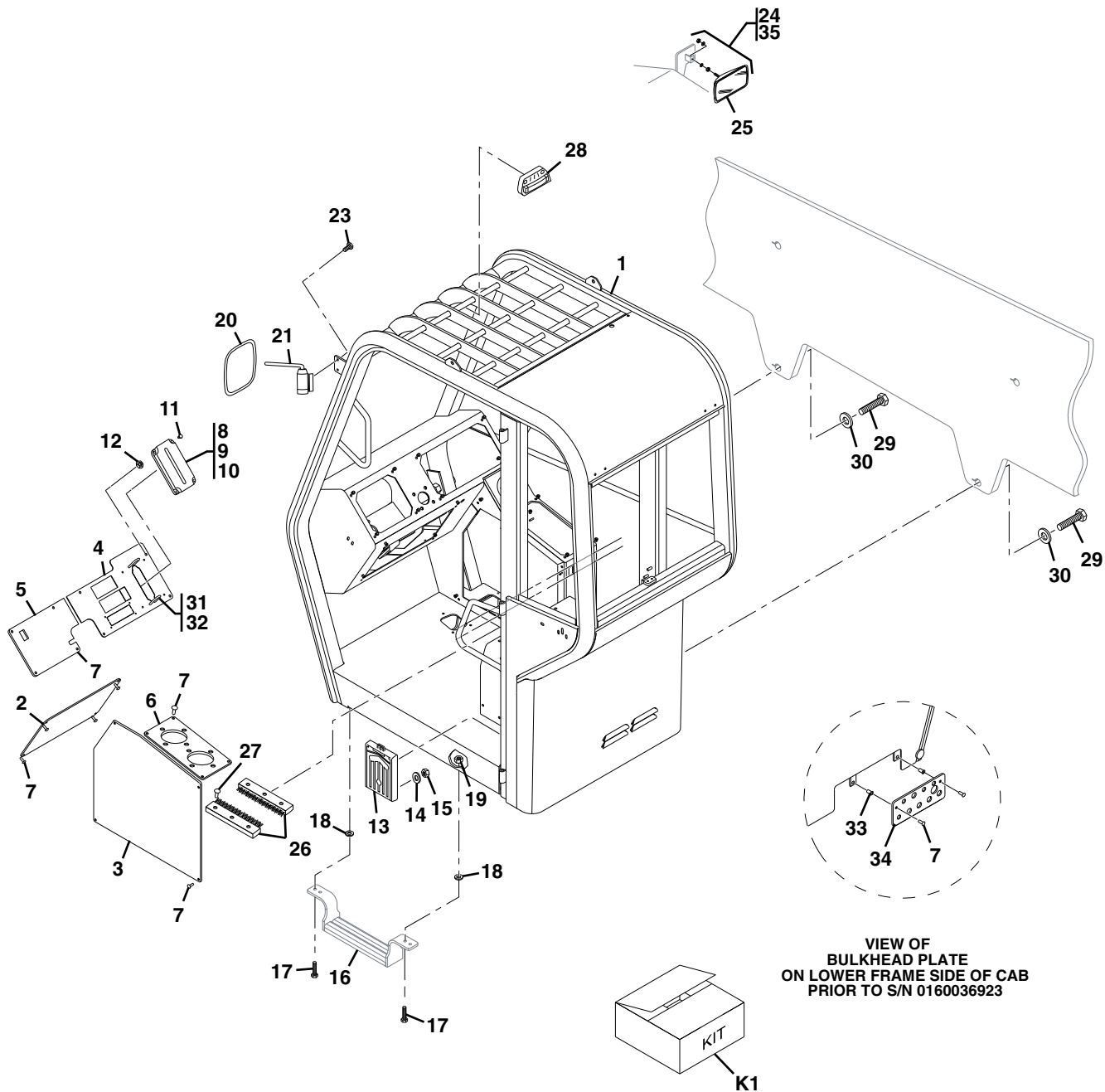
# SECTION 6 CAB





CAB

Figure 6-1 Open Cab



PAP9311



Figure 6-1 Open Cab

Item	Part Number	Qty.	Description	Rev.
1	7138857	1	OPEN CAB, (includes items 2 thru 7, items 33 & 34)	H
2	7302074	1	LOWER PANEL	
3	7302073	1	RIGHT SIDE CONSOLE ACCESS PANEL	
4	3380679	1	RIGHT FRONT CONSOLE PANEL	
5	7302076	1	LEFT FRONT CONSOLE PANEL	
6	7302077	1	SIDE CONSOLE PANEL	
7	8303034	22	TRUSS HD TORX SCREW, 1/4-20X3/4	
8	7138819	1	LOAD CHART HOLDER, (S/N 14834 thru 19988 & 0160002345 thru 0160019858 excluding 0160019622, 0160019633, 0160019653 thru 0160019655 & 0160019668)	
9	7139135	AR	SPACER FOAM TAPE, (S/N 14834 thru 19988 & 0160002345 thru 0160019858 excluding 0160019622, 0160019633, 0160019653 thru 0160019655 & 0160019668)	
10	8310016	2	PAN HD CAPSCREW, 10-24X1, (S/N 14834 thru 19988 & 0160002345 thru 0160019858 excluding 0160019622, 0160019633, 0160019653 thru 0160019655 & 0160019668)	
11	8310362	4	BUTTON HD CAPSCREW, 10-24X.5, (S/N 14834 thru 19988 & 0160002345 thru 0160019858 excluding 0160019622, 0160019633, 0160019653 thru 0160019655 & 0160019668)	
12	8310085	6	LOCK NUT, #10-24, (S/N 14834 thru 19988 & 0160002345 thru 0160019858 excluding 0160019622, 0160019633, 0160019653 thru 0160019655 & 0160019668)	
13	8990147	1	DOCUMENT HOLDER	
14	8307201	3	FLAT WASHER, 10	
15	8310085	3	LOCKNUT, 10-24	
16	1001141427	1	STEP	
17	8303626	4	HEX HD CAPSCREW, 1/2-13X1-1/2	
18	8307112	4	FLAT WASHER, 1/2	
19	8305644	4	LOCKNUT, 1/2-13	
20	8866529	1	REAR VIEW MIRROR, (Before S/N 0160038863)	
	3140007	1	REAR VIEW MIRROR, (S/N 0160038863 & After)	
21	8866530	1	MIRROR ARM, (Before S/N 0160038863), (no longer available, order Kit K1 for replacement)	
	1001114675	1	MIRROR ARM, (S/N 0160038863 & After)	
23	0700610	2	HEX HD CAPSCREW, M6X20, GR 8.8	
24	8866348	1	RIGHT MIRROR, (includes mounting hardware except star washer)	
25	8866351	1	CONVEX GLASS REPLACEMENT LENS, 6.5X10	
26	7138944	2	BRUSH STRIP ASSY	
27	8303982	6	SELF TAPPING SCREW, 1/4-20X3/4	
28	8466306	1	TILT ANGLE GAUGE	
29	8310493	4	HEX HD CAPSCREW, 7/8-9X5.5, GR8, (torque to 480 lb-ft)	
30	8307011	4	LOCKWASHER, 7/8	
31	1001102844	2	U-BOLT, 1/4-20X2-1/2, (S/N 0160019944 & After including 0160019622, 0160019633, 0160019653 thru 0160019655 & 0160019668)	
32	8310382	8	FLANGE NUT, 1/4-20, (S/N 0160019944 & After including 0160019622, 0160019633, 0160019653 thru 0160019655 & 0160019668)	
33	70021305	2	RIVNUT, (Before S/N 0160036919)	
34	70021306	1	BULKHEAD FITTING PLATE, (Before S/N 0160036919)	
35	4791500	1	STAR WASHER, 5/16	



**CAB**

**Figure 6-1 Open Cab (Continued)**

Item	Part Number	Qty.	Description	Rev.
K1	1001125007	1	MIRROR ARM KIT, (S/N 0160038863 & After), (includes items 21, 23 and spacer)	

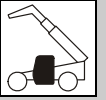


Figure 6-1 Open Cab (Continued)

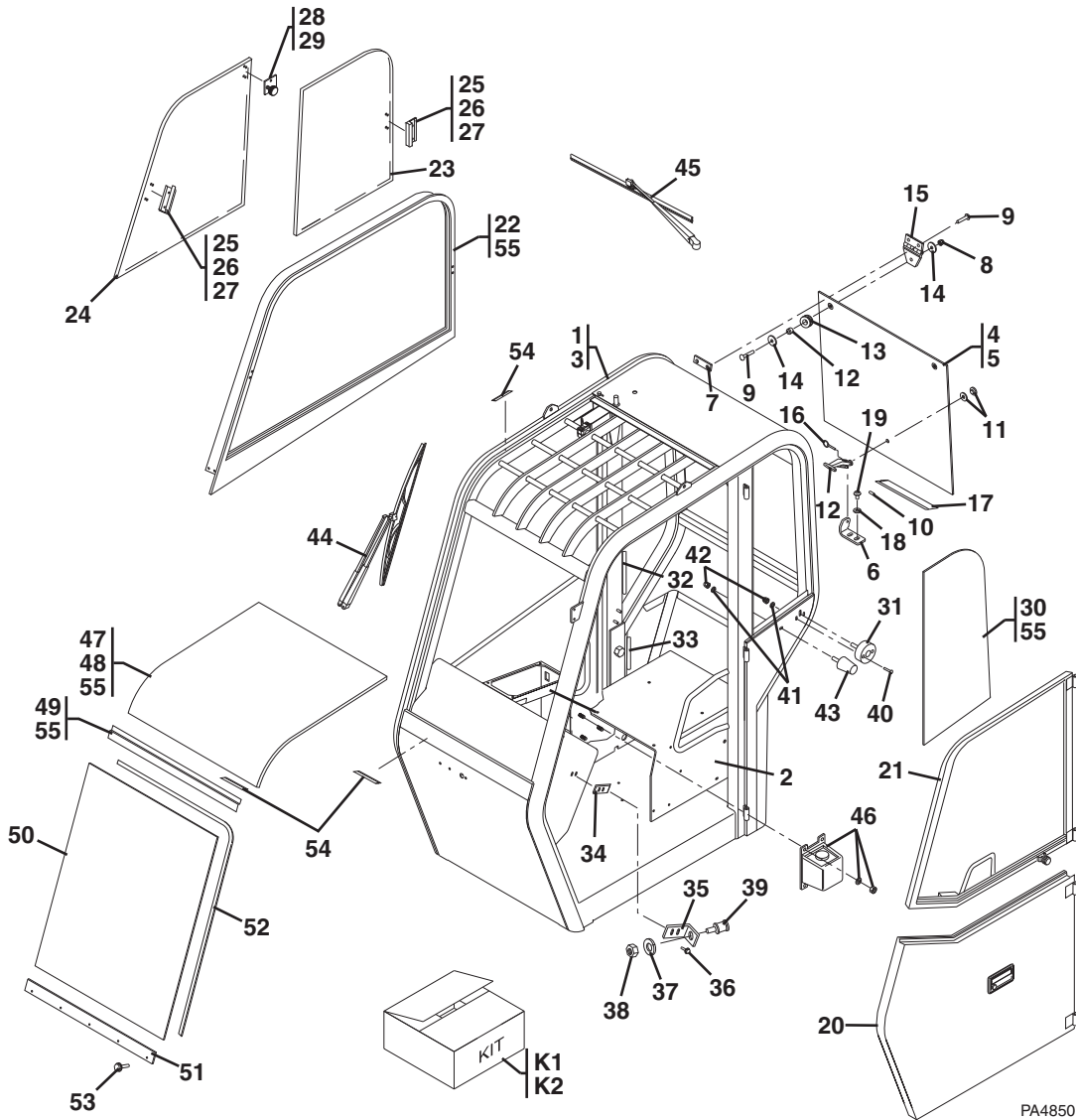
Item	Part Number	Qty.	Description	Rev.



CAB

S/N 17019 thru 19897 &  
0160002408 thru 0160008803

Figure 6-2 Closed Cab



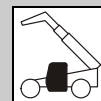


Figure 6-2 Closed Cab

Item	Part Number	Qty.	Description	Rev.
	7139048	1	ENCLOSED CAB WITH HEATER, (includes all items)	AA
1		Ref	OPEN CAB ASSY, (see Figure 6-1 for details)	
2		Ref	CAB HEATER ASSY, (see Figure 6-8 for details)	
3	7139050	1	CAB ENCLOSURE WITH TOP & FRONT WIPERS, (less heater), (includes items 4 thru 55)	A
4	8036048	1	REAR WINDOW ASSY, (includes items 5 thru 19)	
5	8036106	1	REAR WINDOW GLASS	
6	8036107	1	REAR WINDOW LATCH MOUNT	
7	8036108	2	REAR WINDOW HINGE BLOCK	
8	8035479	2	ACORN NUT, 1/4-20	
9	8310136	6	TRUSS SCREW, 1/4-20X1-1/4	
10	8035486	1	ROLL PIN, #10X1/2	
11	1001081280	1	T-HANDLE LATCH, (includes mounting hardware)	
12	8035478	2	BUSHING, .26 IDX1/2OD	
13	8035477	2	GROMMET, 1/2 IDX1.06OD	
14	80264082	4	FLAT WASHER, 9/32X1.00X.065	
15	8035475	2	PLASTIC HINGE	
16	1001109417	1	DETENT RING PIN, .019X1.4	
17	8037206	1	SEAL, 8.6 FT LONG	
18	8036071	2	WASHER	
19	91344043	2	HEX HD CAPSCREW, 1/4-20X.62	
20		Ref	LOWER DOOR ASSY, (see Figure 6-4 for details)	
21		Ref	UPPER DOOR ASSY, (see Figure 6-4 for details)	
22	8036050	1	RIGHT SIDE SLIDER WINDOW, (includes items 23 thru 29)	
23	8036197	1	REAR SLIDE GLASS	
24	8036196	1	FRONT SLIDE GLASS	
25	Use Kit K1	1	CAPSCREW	
26	Use Kit K1	1	SPACER	
27	Use Kit K1	1	LATCH	
28	Use Kit K2	1	LOCK BLOCK	
29	Use Kit K2	1	KNOB ASSY	
30	8036073	1	LEFT SIDE REAR GLASS	
31	80364044	1	FEMALE DOOR RETAINER	
32	8036057	1	UPPER WIRE DUCT	
33	8036058	1	LOWER WIRE DUCT	
34	8036059	1	STRIKER NUT PLATE WELDMENT	
35	8036060	1	STRIKER BOLT BRACKET	
36	8035437	2	LOCKSCREW, 1/4-20X3/4	
37	8036061	1	FLAT WASHER, 17/32X1.06X.094	
38	8035639	1	CENTER LOCKNUT, 7/16-14	
39	8035637	1	STRIKER BOLT, 7/16-14X1-1/2	
40	8035487	2	SCREW, 1/4-20X.625	
41	8035416	4	LOCKWASHER, 1/4X.49ODX.07	
42	8035479	4	ACORN NUT, 1/4-20	
43	8036066	1	RUBBER CONE BUMPER	
44		Ref	FRONT WINDSHIELD WIPER ASSY, (see Figure 6-6 for details)	
45		Ref	SKYLIGHT WIPER ASSY, (see Figure 6-7 for details)	
46		Ref	RESERVOIR WITH 12 VOLT MOTOR, (see Figure 6-6 for details)	
47	7139444	1	WINDSHIELD SKYLIGHT KIT, (includes items 48 thru 55)	

**CAB**S/N 17019 thru 19897 &  
0160002408 thru 0160008803**Figure 6-2 Closed Cab (Continued)**

Item	Part Number	Qty.	Description	Rev.
48	7138958	1	SKYLIGHT GLASS	
49	7139316	1	UPPER WINDSHIELD CLIP	
50	7138951	1	WINDSHIELD GLASS	
51	7139298	1	LOWER WINDSHIELD PLATE	
52	7139299	1	BULB SEAL, .22X.35X14.75	
53	8310529	5	SELF TAPPING SCREW, #10-16X.75	
54	8035490	8	SETTING BLOCKS	
55	7139308	AR	URETHANE SEALANT, (apply to items 22, 30, 48 & 49)	
K1	8036199	1	LATCH ASSY KIT, (includes items 25, 26 & 27)	
K2	8036198	1	FRICTION LOCK ASSY KIT, (includes 28 & 29)	

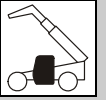


Figure 6-2 Closed Cab (Continued)

Item	Part Number	Qty.	Description	Rev.



CAB

Figure 6-2 Closed Cab

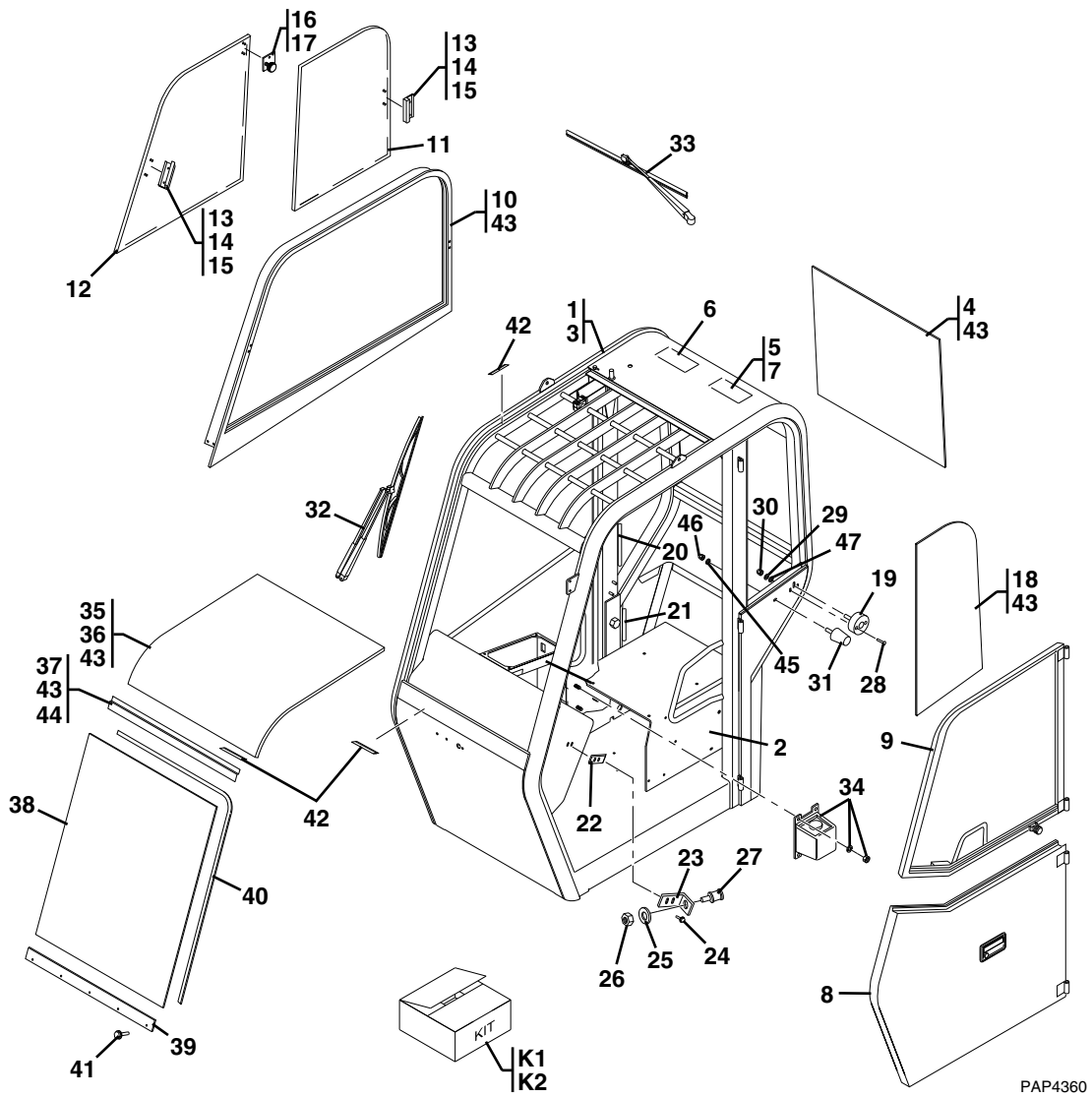




Figure 6-2 Closed Cab

Item	Part Number	Qty.	Description	Rev.
	7139048	Ref	ENCLOSED CAB WITH HEATER, (no longer available, order 1001125838 or see items 1 to 43 for service)	E
1	1001125838	1	ENCLOSED CAB WITH HEATER, (includes all items)	A
2		Ref	OPEN CAB ASSY, (see Figure 6-1 for details)	
3	7139050	1	CAB HEATER ASSY, (see Figure 6-8 for details)	
4		1	CAB ENCLOSURE WITH TOP & FRONT WIPERS, (less heater), (includes items 4 thru 43)	D
5	7028737	1	REAR WINDOW	
6	91404301	1	HAMMER	
7		Ref	ESCAPE DECAL, (see Figure 11-1 for details)	
8	91404298	3	RIVET	
9		Ref	LOWER DOOR ASSY, (see Figure 6-4 for details)	
10		Ref	UPPER DOOR ASSY, (see Figure 6-4 for details)	
11	8036050	1	RIGHT SIDE SLIDER WINDOW, (includes items 11 thru 17)	
12	7138953	Ref	REAR SLIDE GLASS, (no longer available, use complete assy 8036050 for replacement), (p/n 7138953 is etched onto glass)	
	8036197	1	REAR SLIDE GLASS	
	7138952	Ref	FRONT SLIDE GLASS, (no longer available, use complete assy 8036050 for replacement), (p/n 7138952 is etched onto glass)	
	8036196	1	FRONT SLIDE GLASS	
13	Use Kit K1	1	CAPSCREW	
14	Use Kit K1	1	SPACER	
15	Use Kit K1	1	LATCH	
16	Use Kit K2	1	LOCK BLOCK	
17	Use Kit K2	1	KNOB ASSY	
18	8036073	1	LEFT SIDE REAR GLASS	
19	8036069	1	FEMALE DOOR RETAINER	
20	7139267	1	UPPER WIRE DUCT	
21	7139268	1	LOWER WIRE DUCT	
22	8036059	1	STRIKER NUT PLATE WELDMENT	
23	8036060	1	STRIKER BOLT BRACKET	
24	8035437	2	LOCKSCREW, 1/4-20X3/4	
25	8036061	1	FLAT WASHER, 17/32X1.06X.094	
26	8035639	1	CENTER LOCKNUT, 7/16-14	
27	1001109478	1	STRIKER BOLT, 7/16-14X1-1/2	
28	8035487	2	SCREW, 1/4-20X5/8	
29	8035416	2	LOCKWASHER, 1/4X.49ODX.07	
30	8035479	2	ACORN NUT, 1/4-20	
31	8036066	1	RUBBER CONE BUMPER	
32		Ref	FRONT WINDSHIELD WIPER ASSY, (see Figure 6-6 for details)	
33		Ref	SKYLIGHT WIPER ASSY, (see Figure 6-7 for details)	
34		Ref	RESERVOIR WITH 12 VOLT MOTOR, (see Figure 6-6 for details)	
35	7139444	1	WINDSHIELD SKYLIGHT KIT, (includes items 36 thru 43)	
36	7138958	1	SKYLIGHT GLASS	
37	7139316	1	UPPER WINDSHIELD CLIP	
38	7138951	1	WINDSHIELD GLASS	
39	7139298	1	LOWER WINDSHIELD PLATE	
40	7139299	1	BULB SEAL, 0.22X.35X14.75	
41	8310529	5	SELF-TAPPING SCREW, #10-16X.75	

**CAB****Figure 6-2 Closed Cab (Continued)**

Item	Part Number	Qty.	Description	Rev.
42	8035490	8	SETTING BLOCKS	
43	8035523	AR	URETHANE SEALANT, (apply to items 4, 10, 18, 36 & 37)	
44	7139301	AR	FOAM	
45	8036067	1	WASHER, 5/16	
46	8036068	1	HEX NUT, 5/16-18	
47	8036071	2	WASHER,.28	
K1	8036199	1	LATCH ASSY KIT, (includes items 13 thru 15)	
K2	8036198	1	FRICTION LOCK ASSY KIT, (includes items 16 & 17)	

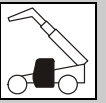
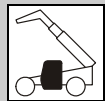


Figure 6-2 Closed Cab (Continued)

Item	Part Number	Qty.	Description	Rev.



CAB

Figure 6-3 Soft Cab Enclosure

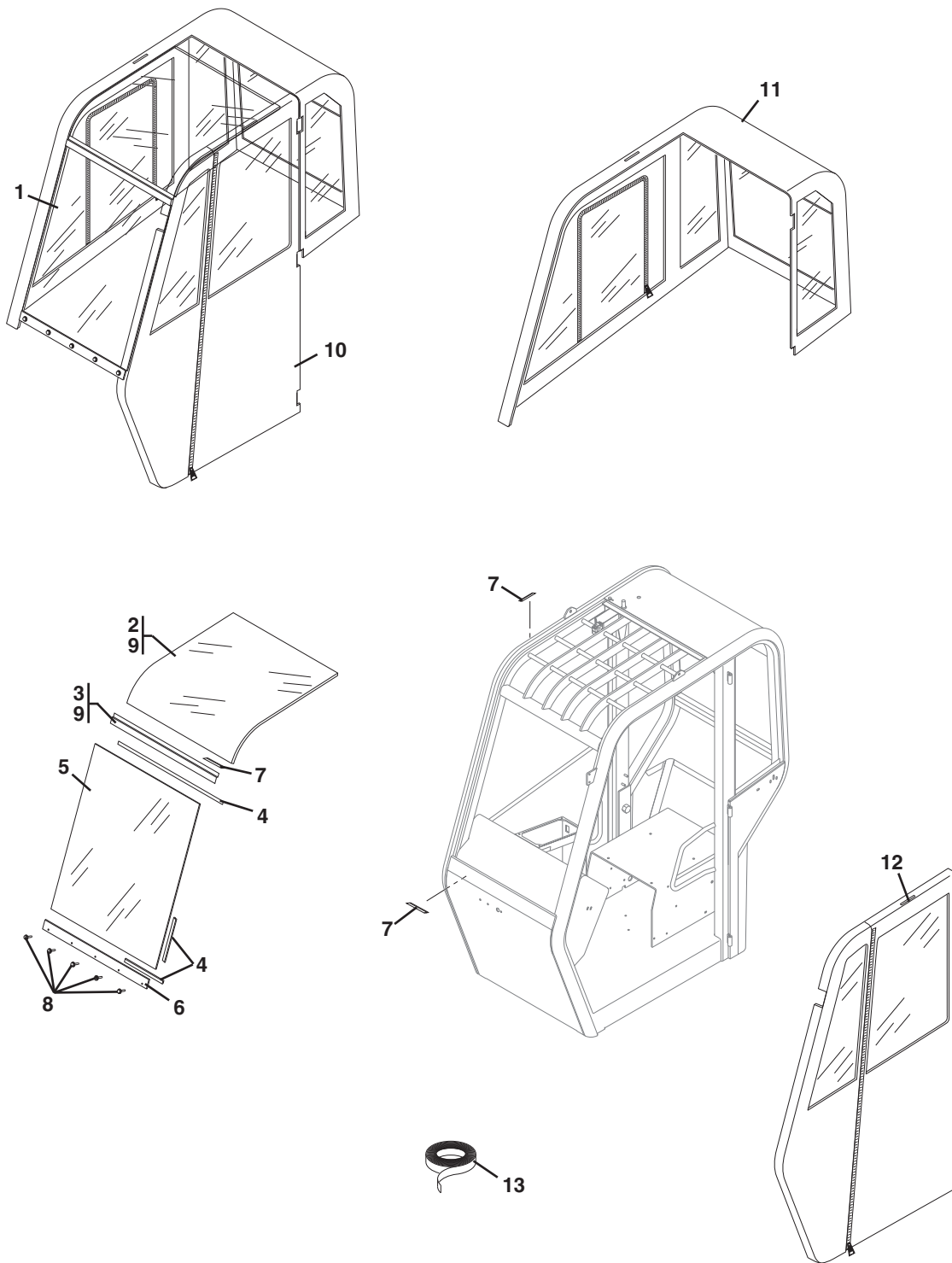




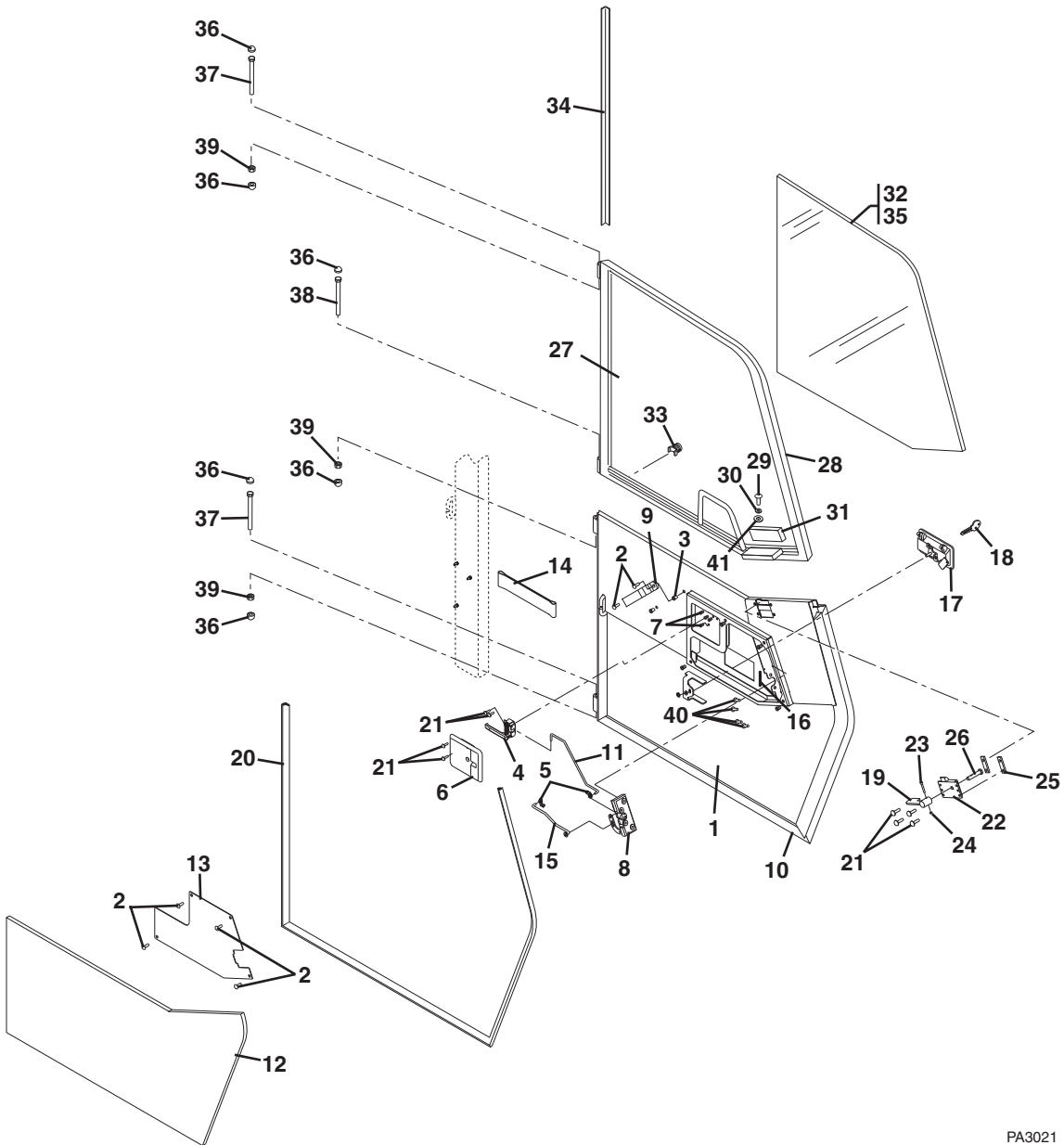
Figure 6-3 Soft Cab Enclosure

Item	Part Number	Qty.	Description	Rev.
	7139250	1	COMPLETE SOFT CAB ENCLOSURE KIT, (includes all items)	AC
1	7139444	1	WINDSHIELD SKYLIGHT KIT, (includes items 2 thru 9)	
2	7138958	1	SKYLIGHT GLASS	
3	7139316	1	UPPER WINDSHIELD CLIP	
4	7139299	1	BLACK BULB SEAL, .22X.35, 14.75	
5	7138951	1	WINDSHIELD GLASS	
6	7139298	1	LOWER WINDSHIELD PLATE	
7	8035490	8	SETTING BLOCK, 1/8X1/4X2	
8	8037204	5	SELF TAPPING SCREW, #10-16X3/4	
9	8035523	1	URETHANE SEALANT, (apply to items 2 & 3)	
10	7139290	1	SOFT CAB ENCLOSURE KIT, (includes items 11 thru 13)	
11	7139293	1	MAIN SOFT CAB ENCLOSURE	
12	7139292	1	SOFT DOOR SECTION	
13	7139294	1	VELCRO KIT	
	7139295	1	VELCRO BRAND HOOK STRIP 1X10, ORANGE, (not shown)	
	7139296	1	VELCRO BRAND HOOK STRIP 2X10, ORANGE, (not shown)	



CAB

Figure 6-4 Cab Door



PA3021

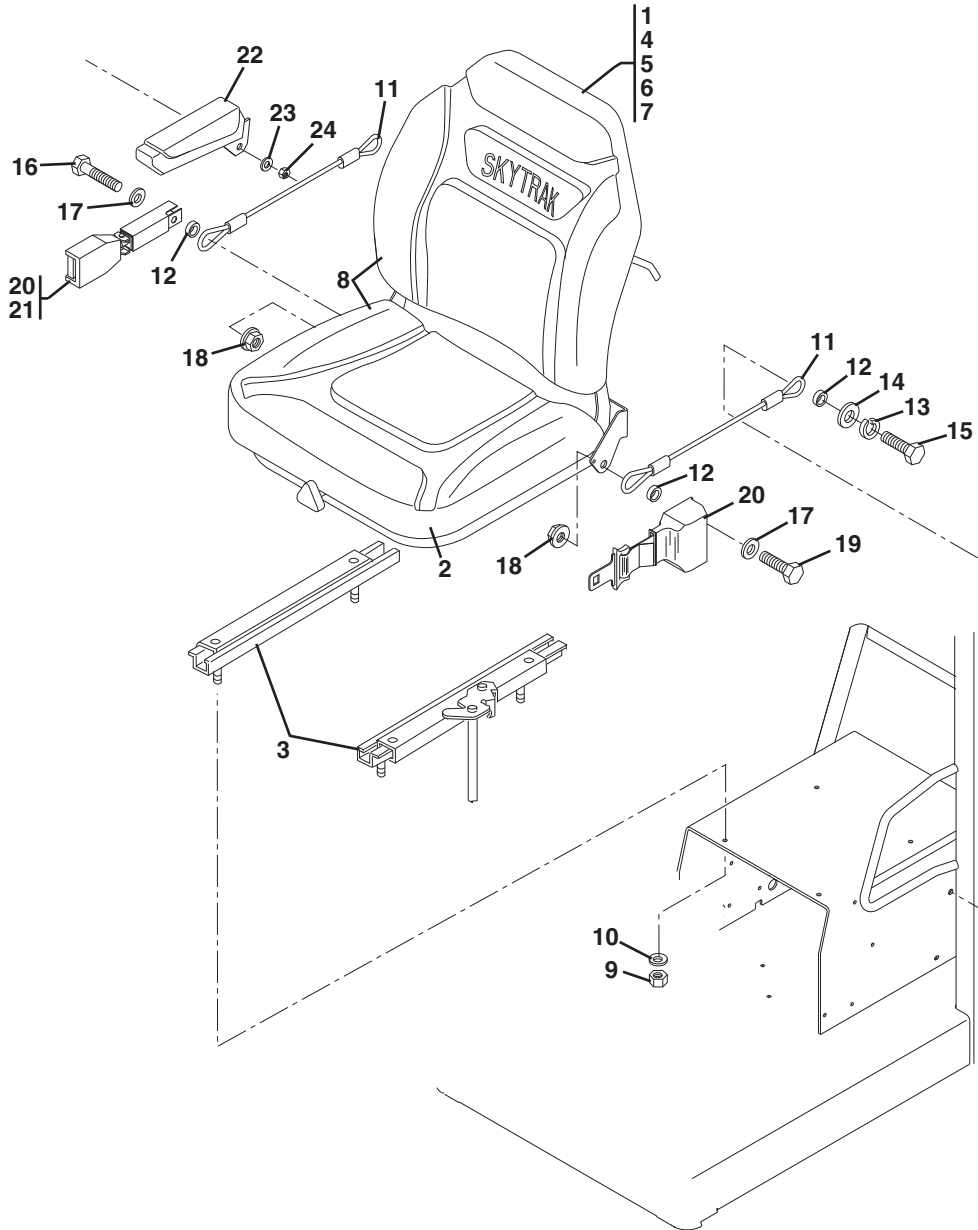


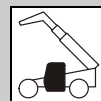
Figure 6-4 Cab Door

Item	Part Number	Qty.	Description	Rev.
1	8036062	1	LOWER DOOR ASSY, (uses square key), (includes items 2 thru 26 & item 40)	
	1001109007	1	LOWER DOOR ASSY, (uses round key), (includes items 2 thru 26 & item 40)	A
2	8033856	6	TORX SCREW, 1/4-20	
3	1001103509	6	HEX RIVNUT, 1/4-20	
4	80384192	1	INNER DOOR HANDLE	
5	80384187	2	ROD END RETAINING CLIP	
6	80384193	1	INSIDE DOOR BEZEL	
7	8036085	4	HEX RIVNUT, #10-24	
8	8035439	1	ROTARY LATCH	
9	91344032	1	INSIDE CAB HANDLE	
10	8036090	1	LOWER DOOR WELDMENT	
11	8036093	1	INTERIOR LATCH LINKAGE	
12	8036094	1	LOWER DOOR FOAM	
13	8036095	1	LATCHBOX ACCESS PLATE	
14	8036096	1	DOOR RESTRAINT STRAP	
15	8036097	1	EXTERIOR LATCH LINKAGE WELDMENT	
16	8036098	1	EXTENSION SPRING, .219X1-1/2X.023	
17	8035441	Ref	PADDLE LATCH, (uses square key), (includes item 18), (no longer available, use 1001105892 for replacement)	
	1001105892	1	PADDLE LATCH, (uses rounded key), (includes item 18)	A
18	8342808	1	KEY, SQUARE	
	70021948	1	KEY, ROUND	
19	91404315	1	DOOR LEVER RELEASE	
20	8036076	1	BULB SEAL, 15.5mmX10, (cut to fit)	
21	8036088	8	SCREW, #10-24X3/4	
22	91404319	1	SLAM LATCH	
23	91404317	1	SCREW, #8-32X1-1/8	
24	91404318	1	NYLON LOCKNUT, #8-32	
25	8036091	2	SLAM LATCH SPACER	
26	8036092	1	SLAM LATCH SHAFT WELDMENT	
27	1001109406	1	UPPER DOOR ASSY, (includes items 28 thru 35 & item 41)	A
28	8036077	1	UPPER DOOR WELDMENT	
29	91344043	2	TORX SCREW, 1/4-20	
30	8035416	2	WASHER, 1/4IDX.49OD	
31	8036078	1	SLAM LATCH STRIKER	
32	8036079	1	LEFT SIDE DOOR GLASS	
33	8036080	1	RETAINER	
34	80364001	1	BULB SEAL, 15.5mmX10, (cut to fit)	
35	80364009	AR	URETHANE, (apply to item 32)	
36	8036065	6	HEX DOME CAP	
37	8035631	2	BOLT, 3/8-16X4.5	
38	8036064	1	BOLT, 3/8-16X6.5	
39	8035632	3	HEX NUT, 3/8-16	
40	80264074	4	BOLT, 1/4-20X3/4	
41	70020628	2	WASHER	



Figure 6-5 Operators Seat





**Figure 6-5 Operators Seat**

Item	Part Number	Qty.	Description	Rev.
1	NSS	1	SUSPENSION SEAT, (order seat on Figure 6-5, S/N 0160010402 & After)	
2	8036009	1	BOOT, 60/76mm, (covers adjuster below seat)	
3	8036010	1	6 IN ADJUSTER, (partially shown)	
4	8036011	1	DAMPER, (shock absorber)	
5	8036013	4	UP STOP/DOWN STOP BUMPER ROLLERS, 7/16 DIA	
6	8036014	1	SPRINGS & CABLE	
7	8036015	1	HANGER/KNOB/TENSION SHAFT	
8	8036017	1	CUSHION/PAN ASSY KIT, (includes both seat & back rest)	
9	8305626	4	HEX LOCKNUT, 5/16-18	
10	8307106	4	PLAIN WASHER, .312	
11	7138883	2	TETHER	
12	7096491	4	SPACER	
13	8307006	2	LOCKWASHER, 7/16	
14	8307205	2	PLAIN WASHER, 7/16X1.125OD	
15	8303674	2	HEX HD CAPSCREW, 7/16-14X1.50, GR5	
16	NSS	1	HEX HD CAPSCREW, 7/16-20X2.5, GR5, (included with seat belt)	
17	NSS	2	PLAIN WIDE WASHER, 7/16, (included with seat belt)	
18	NSS	2	FLANGED HEX NUT, 7/16-20, (included with seat belt)	
19	NSS	1	HEX HD CAPSCREW, 7/16-20X1.5, GR5, (included with seat belt)	
20	8864057	1	2 IN STANDARD SEAT BELT, (includes mounting hardware)	
21	8864058	1	3 IN OPTIONAL SEAT BELT, (includes mounting hardware)	
22	7138858	1	ARM REST	
23	8307106	2	FLAT WASHER, 5/16	
24	8305626	2	LOCKNUT, 5/16-18	



Figure 6-5 Operators Seat

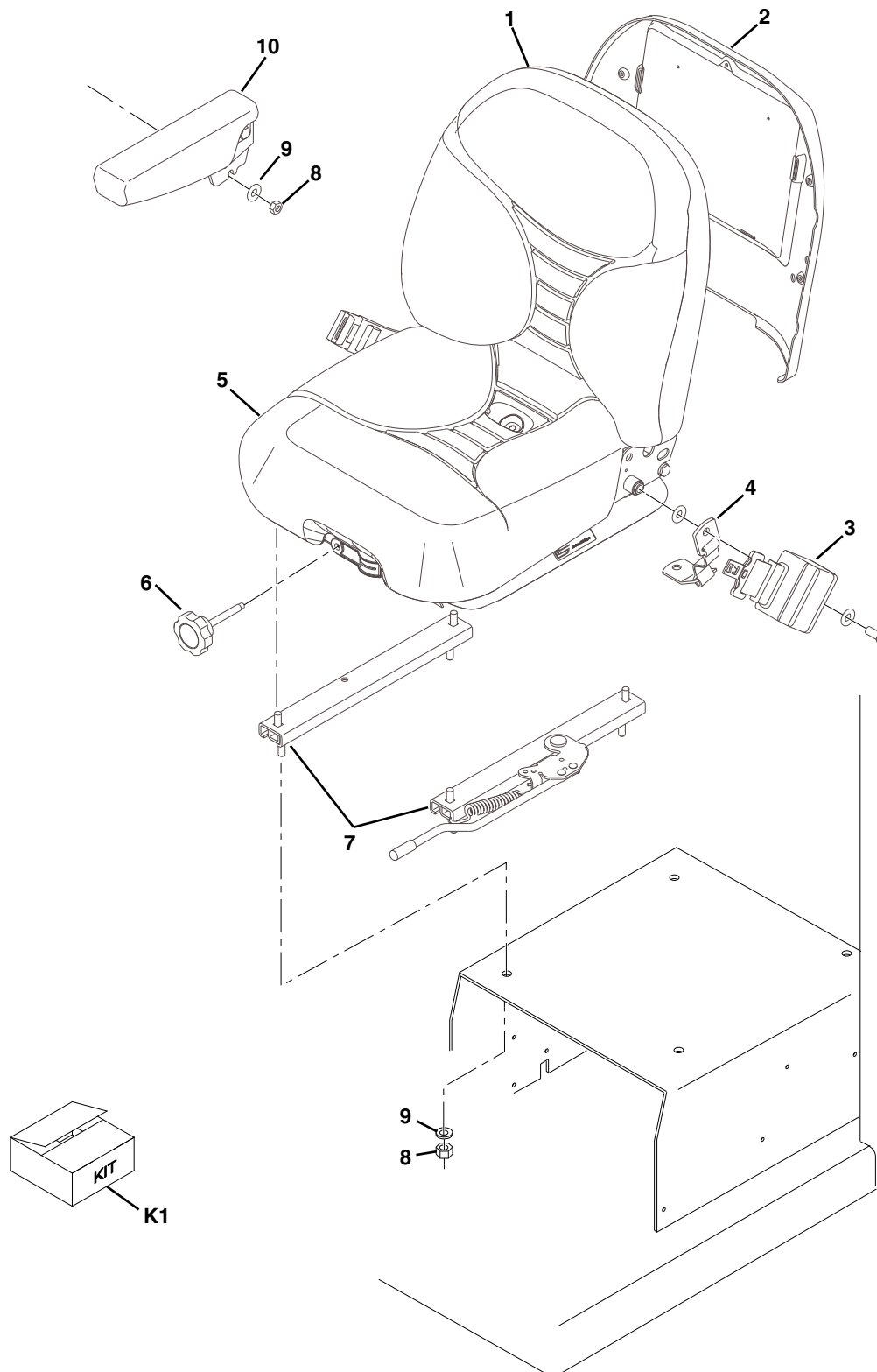




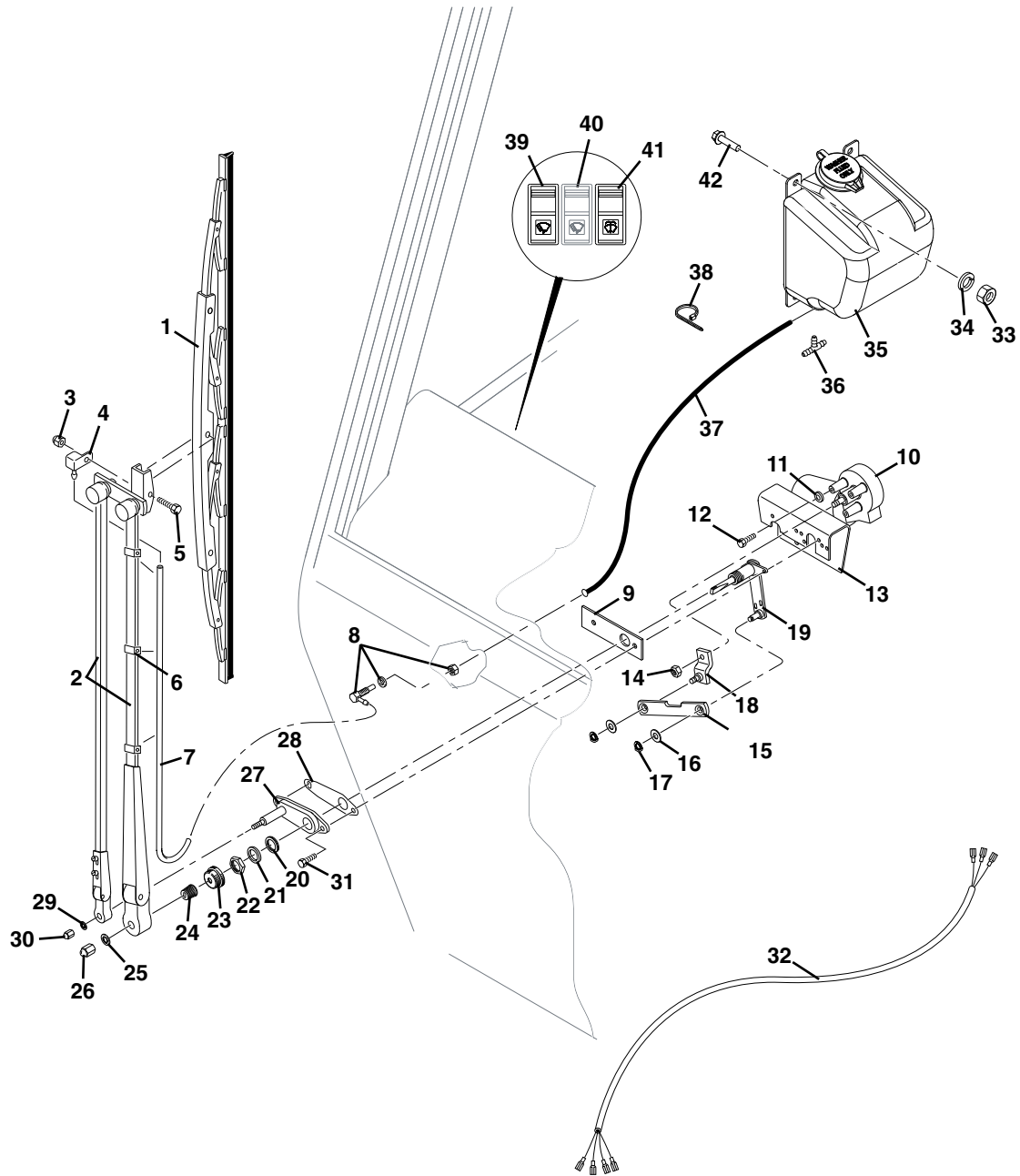
Figure 6-5 Operators Seat

Item	Part Number	Qty.	Description	Rev.
	3980039	1	SUSPENSION SEAT, (S/N 0160010402 thru 0160034230), (includes items 1 thru 7)	C
	1001101085	1	SUSPENSION SEAT, (S/N 0160034231 & After), (includes items 1 thru 7)	B
1	7026900	1	BACK CUSHION KIT	
2	7026902	1	BACK PANEL KIT	
3	7026905	1	SEAT BELT KIT	
	91563164	1	SEAT BELT, 3IN, (California Only), (not included with seat)	
4	7026906	1	TETHER KIT	
5	7026901	1	SEAT CUSHION KIT	
6	7026799	1	KNOB KIT	
7	7026798	1	SLIDE KIT	
8	8305626	6	HEX LOCKNUT, 5/16-18	
9	8307106	6	PLAIN WASHER, 5/16	
10	7138858	1	ARM REST	
11	70023040	1	SHOCK ABSORBER KIT, (not shown), (includes one shock absorber, two shock pins & two hex nuts)	
12	70023041	1	SPRING & SADDLE KIT, (not shown)	
13	70023890	1	BOOT KIT, (not shown)	
K1	70023139	1	SEAT BELT KIT, 3 IN, (includes female & retractor ends)	



CAB

Figure 6-6 Front Windshield Wiper



PAP9260



Figure 6-6 Front Windshield Wiper

Item	Part Number	Qty.	Description	Rev.
	8036056	1	FRONT WINDSHIELD WIPER ASSY, (includes items 1 thru 31)	
1	8035392	1	28 IN FLEX WIPER BLADE	
2	8035393	1	24 IN FLEX WIPER ARM ASSY, (includes items 3 thru 7)	
3	NSS	1	LOCKNUT	
4	NSS	1	SPRAYER NOZZLE	
5	NSS	1	BOLT	
6	NSS	3	HOSE CLIPS	
7	NSS	1	HOSE	
8	1001081310	1	WET ARM SPACER	
9	8036100	1	FRONT WIPER MOTOR SPACER	
10	7029860	1	WIPER MOTOR ASSY, (includes items 11 thru 17)	
11	NSS	3	FLAT WASHER, 5/16	
12	NSS	3	HEX HD CAPSCREW, 1/4-28X1	
13	NSS	1	WIPER MOTOR BRACKET	
14	NSS	1	NUT	
15	8035409	1	CONNECTING LINK	
16	NSS	2	FLAT WASHER, .560X.251X.015	
17	NSS	2	SPRING CLIP	
18	8035411	1	WIPER ARM DRIVE	
19	8036099	1	WIPER SHAFT & PIVOT ASSY, (includes items 20 thru 26)	
20	NSS	1	RUBBER WASHER	
21	NSS	1	METAL WASHER	
22	NSS	1	HEX JAM NUT, 11/16-18	
23	NSS	1	RUBBER CAP	
24	NSS	1	KNURLED DRIVER	
25	NSS	1	LOCKWASHER, 3/8, (internal tooth)	
26	NSS	1	ACORN NUT, 1/4-28	
27	8034815	1	PANTO ADAPTER ASSY, (includes items 28 thru 30)	
28	NSS	1	GASKET	
29	NSS	1	LOCKWASHER, 1/4, (internal tooth)	
30	NSS	1	ACORN NUT, 1/4-28	
31	80384207	2	HEX HD CAPSCREW, 1/4-28X3/4 -BLACK	
32	8036070	1	WIPER HARNESS	
33	8035479	3	NUT, 1/4-20, BLACK	
34	8035416	3	LOCKWASHER, 1/4X.490DX07	
35	8033065	Ref	RESERVOIR WITH 12 VOLT MOTOR, (no longer available, use 100111112 for replacement)	
	100111112	1	RESERVOIR WITH MOTOR	
36	8036072	1	WASHER HOSE CONNECTOR TEE	
37	8033075	1	WASHER HOSE	
38	8584001	AR	TY-RAP	
39	8223043	1	FRONT WINDSHIELD WIPER SWITCH	
40		Ref	SKYLIGHT WINDSHIELD WIPER SWITCH, (see Figure 6-7 for details)	
41	8223044	1	WINDSHIELD WASHER SWITCH	
42	8033065	3	SCREW, 1/4-20X5/8	



CAB

Figure 6-7 Skylight Windshield Wiper

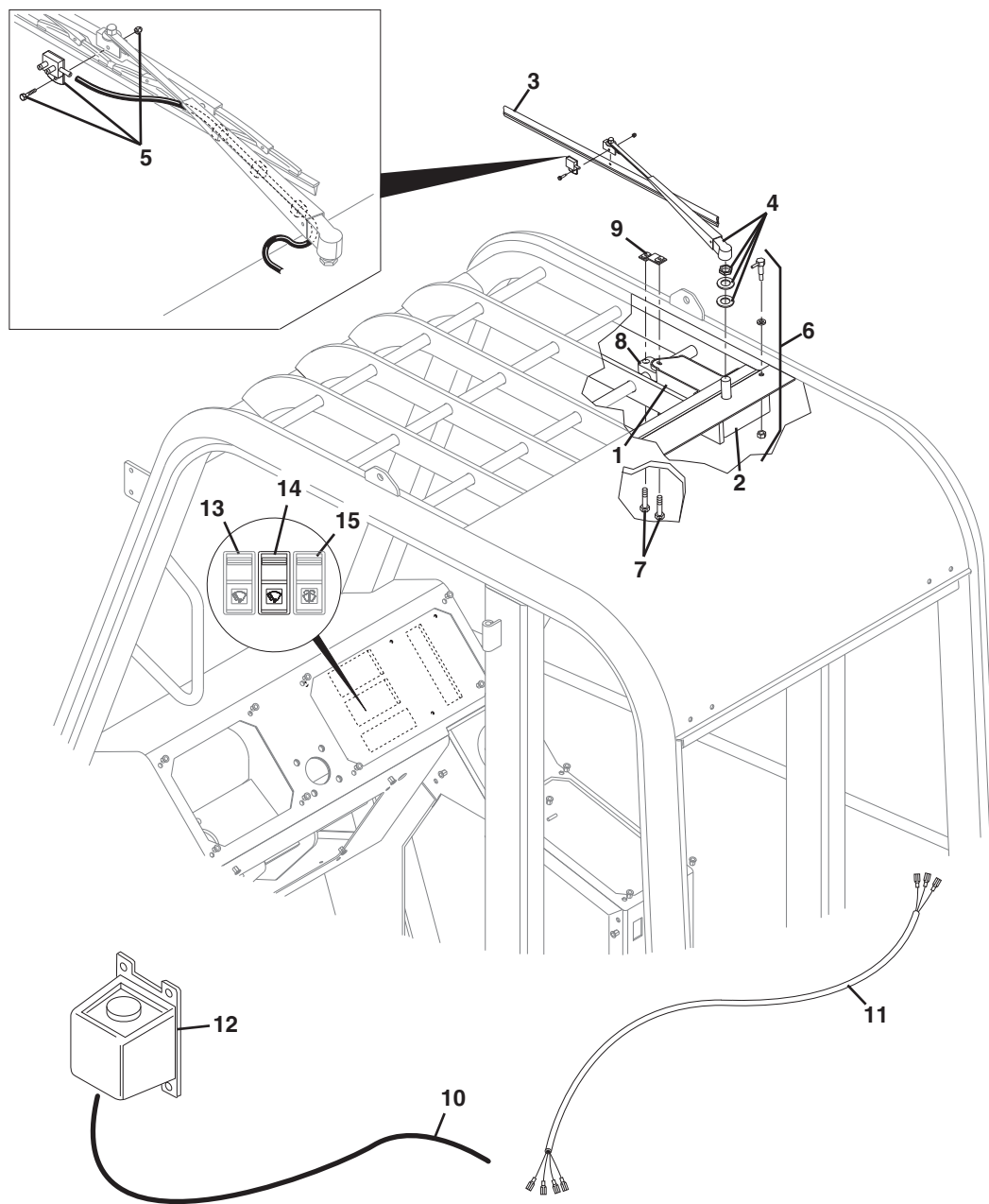




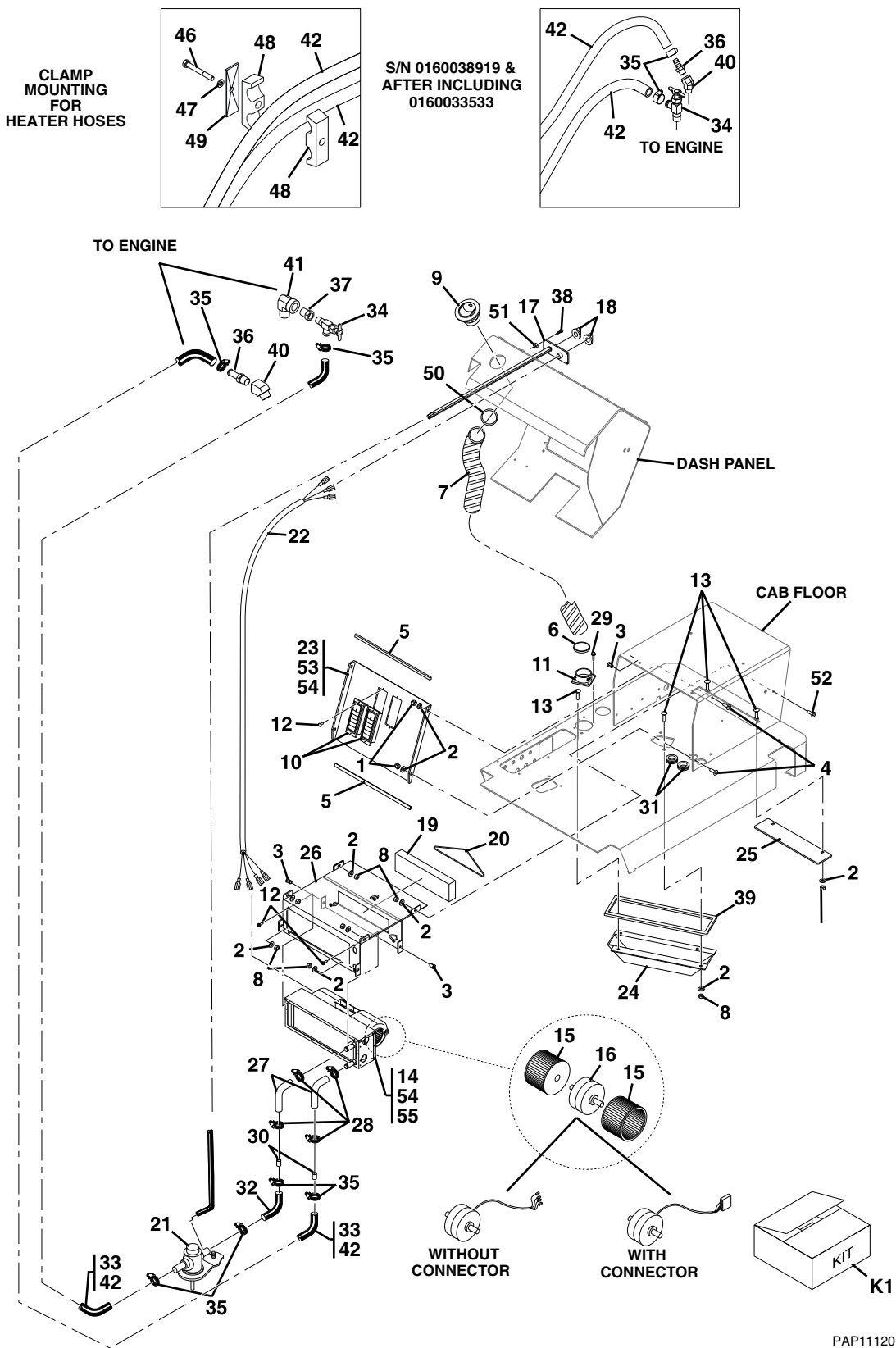
Figure 6-7 Skylight Windshield Wiper

Item	Part Number	Qty.	Description	Rev.
	8036049	1	SKYLIGHT WIPER ASSY, (includes items 1 thru 9)	
1	8035492	1	SKYLIGHT WIPER MOTOR	
2	8035493	1	WIPER MOTOR COVER	
3	8035498	1	WIPER BLADE	
4	8035500	1	WIPER ARM	
5	1001081310	1	WET ARM SPACER	
6	8035499	1	WET ARM ADAPTER	
7	8036102	2	MACHINE SCREW, #10-24X1-1/2	
8	8035496	1	PLASTIC CLAMP BLOCK	
9	8036103	1	WIPER MOUNT WELDMENT	
10		Ref	WASHER HOSE, (see Figure 6-6 for details)	
11		Ref	WIPER HARNESS, (see Figure 6-6 for details)	
12		Ref	RESERVOIR WITH 12 VOLT MOTOR, (see Figure 6-6 for details)	
13		Ref	FRONT WINDSHIELD WIPER SWITCH, (see Figure 6-6 for details)	
14	8223043	1	SKYLIGHT WINDSHIELD WIPER SWITCH	
15		Ref	WINDSHIELD WASHER SWITCH, (see Figure 6-6 for details)	



# CAB

### Figure 6-8 Cab Heater



PAP11120



Figure 6-8 Cab Heater

Item	Part Number	Qty.	Description	Rev.
	7139049	Ref	CAB HEATER ASSY, (includes items 1 thru 31, 38, 39 & 50 thru 53), (no longer available, use 1001125837 for replacement)	B
	1001125837	1	CAB HEATER KIT, (includes items 1 thru 31, 38, 39 & 50 thru 53)	1
1	8035479	4	ACORN NUT, 1/4-20	
2	8035416	14	LOCKWASHER, 1/4 IDX.49 OD	
3	1001103509	4	HEX PILOT RIVNUT, 1/4-20X.305	
4	91344043	4	BOLT, 1/4-20X.625	
5	80364020	2	SLOT EDGE TRIM, 2.69	
6	8035406	2	WIDE NYLON TIE	
7	8036110	1	HOSE ASSY	
8	8035417	12	HEX NUT, 1/4-20, GR5	
9	8035402	1	4" ROUND LOUVER, WITH 2-1/2 COLLAR	
10	8035668	2	RECTANGULAR LOUVER, 49mmX121mm	
11	8035431	1	HOSE ADAPTER, 2-1/2	
12	1001081073	8	PAN HEAD SELF TAPPING SCREW, #8-15X1/2	
13	8036112	6	CARRIAGE BOLT, 1/4-20X1	
14	8036410	Ref	HEATER, 12V, (no longer available, order 1001125774 for replacement or items 15 & 16 for service)	
	1001113276	Ref	HEATER, 12V, (no longer available, use 1001125774 for replacement or items 15 & 16 for service)	C
	1001125774	1	HEATER, 12V, (includes items 16)	B
15	8036421	2	BLOWER WHEEL	
16	70021546	1	MOTOR, 12V, (without connector)	
	70023034	1	MOTOR, 12V, (with connector)	
	1001126234	1	MOTOR ASSY, 12V, (includes blower wheel)	
17	8036114	1	PANEL/CABLE HEATER CONTROL, (includes item 18)	
18	8036388	2	POSITIONING KNOB, (includes set screw & brass insert)	
19	1001081375	1	AIR FILTER	
20	1001081376	1	RUBBER O-RING	
21	1001081045	1	HEATER WATER VALVE	
22	8036118	1	HEATER WIRE HARNESS	
23	8036119	1	HEATER LOUVER PANEL	
24	8036120	1	HEATER DUCT	
25	8036121	1	FILTER ACCESS PLATE	
26	8036122	1	HEATER MOUNT WELDMENT	
27	8036124	2	RUBBER HOSE, 90 DEGREES	
28	1001081072	4	HOSE CLAMP, 1/2X1-1/4	
29	91404298	4	POP RIVET	
30	1001081046	2	COPPER SPLICE, 5/8 HEATER HOSE	
31	1001081049	2	SPLIT RUBBER GROMMET	
32	6620472	1	HEATER HOSE ASSY	
33	7139174	2	HEATER HOSE ASSY, (Before S/N 0160038919 excluding 0160033533)	
34	8360005	1	SHUT OFF VALVE	
35	8405007	5	GEAR CLAMP, 1.25 DIA MAX	
36	8430048	1	REDUCER, (Before S/N 0160038919 excluding 0160033533)	
	2220806	1	REDUCER, (S/N 0160038919 & After including 0160033533)	
37	2220251	1	REDUCER, (Before S/N 0160038919 excluding 0160033533)	
38	8036128	4	SCREW, #6-32X1/2	
39	8035599	1	FOAM, .25X.5	

**CAB****Figure 6-8 Cab Heater (Continued)**

Item	Part Number	Qty.	Description	Rev.
40	8540231	1	ADAPTER, 45 DEGREE, (Before S/N 0160038919 excluding 0160033533)	
	8540205	1	ADAPTER, 45 DEGREE, (S/N 0160038919 thru 0160039770 including 0160033533)	
	1001120819	1	ADAPTER, 45 DEGREE, (S/N 0160039790 & After)	
41	8540218	1	ADAPTER, 90 DEGREE, (Before S/N 0160038919 excluding 0160033533)	
42	1001100225	2	HEATER HOSE ASSY, (S/N 0160038919 & After including 0160033533)	
46	8303757	1	HEX HD CAPSCREW, 5/16-18X2-1/2, GR5, (S/N 0160038919 & After including 0160033533)	
47	8307004	1	LOCKWASHER, 5/16, (S/N 0160038919 & After including 0160033533)	
48	8750024	1	CLAMP SET, (S/N 0160038919 & After including 0160033533)	
49	8750025	1	COVER PLATE, (S/N 0160038919 & After including 0160033533)	
50	8405202	1	CLAMP	
51	8036129	4	NYLOCK NUT, #6-32	
52	8033856	8	SCREW, 1/4-20X3/4	
53	7139301	2	FOAM	
54	70020631	1	HEATER PANEL ASSY, (includes items 5, 10, 12, 23 & 53)	
K1	7148100	1	FIELD INSTALLATION HEATER KIT, (includes items 1 thru 31, 38, 39 & 50 thru 53)	

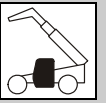


Figure 6-8 Cab Heater (Continued)

Item	Part Number	Qty.	Description	Rev.



**CAB**

**This Page Intentionally Left Blank**

# SECTION 7 CONTROLS

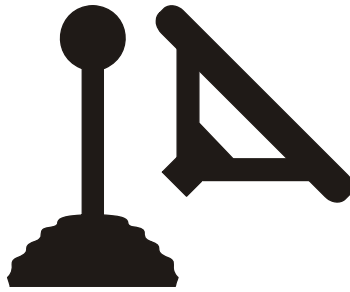
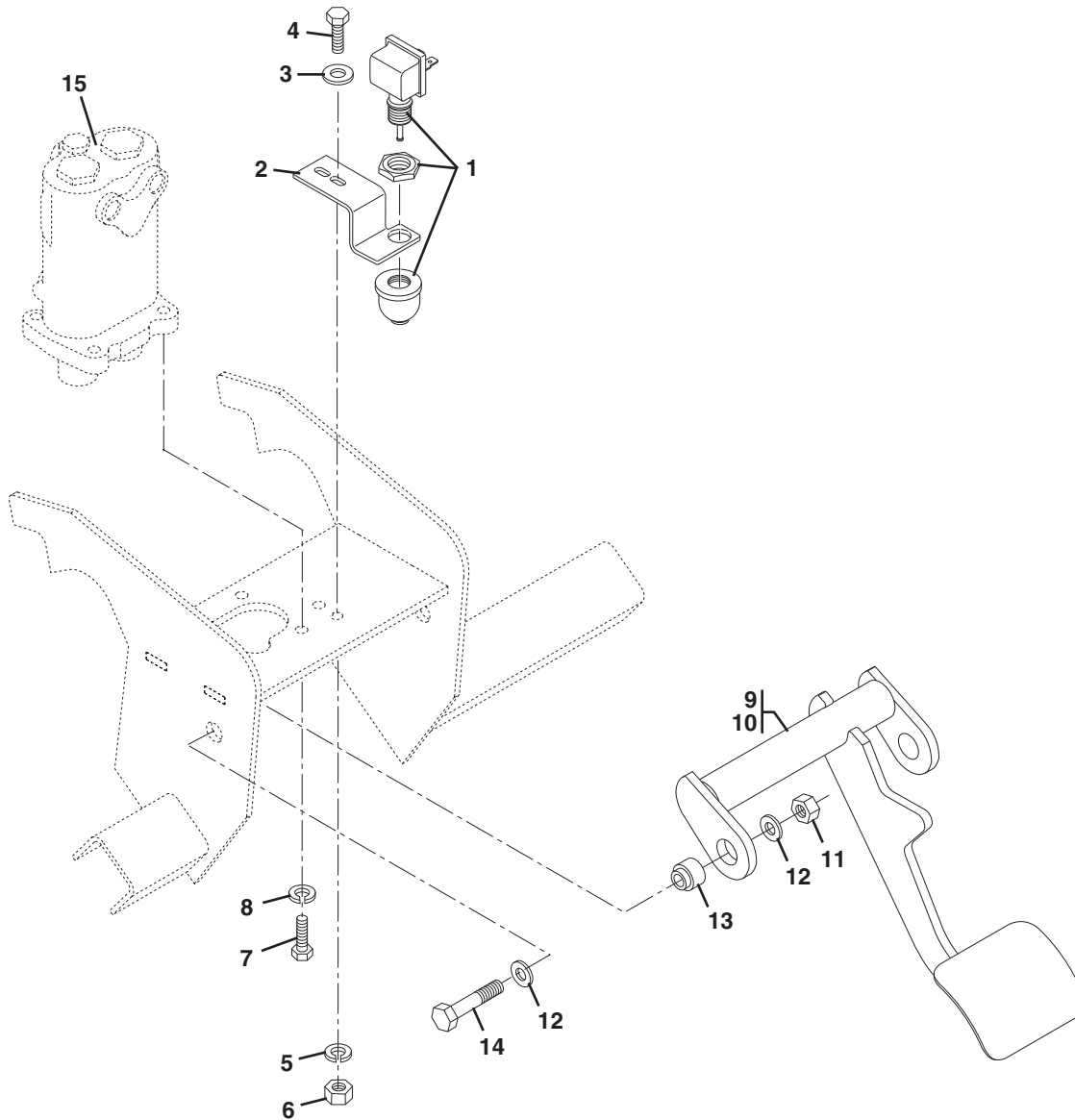




Figure 7-1 Service Brake Pedal Control



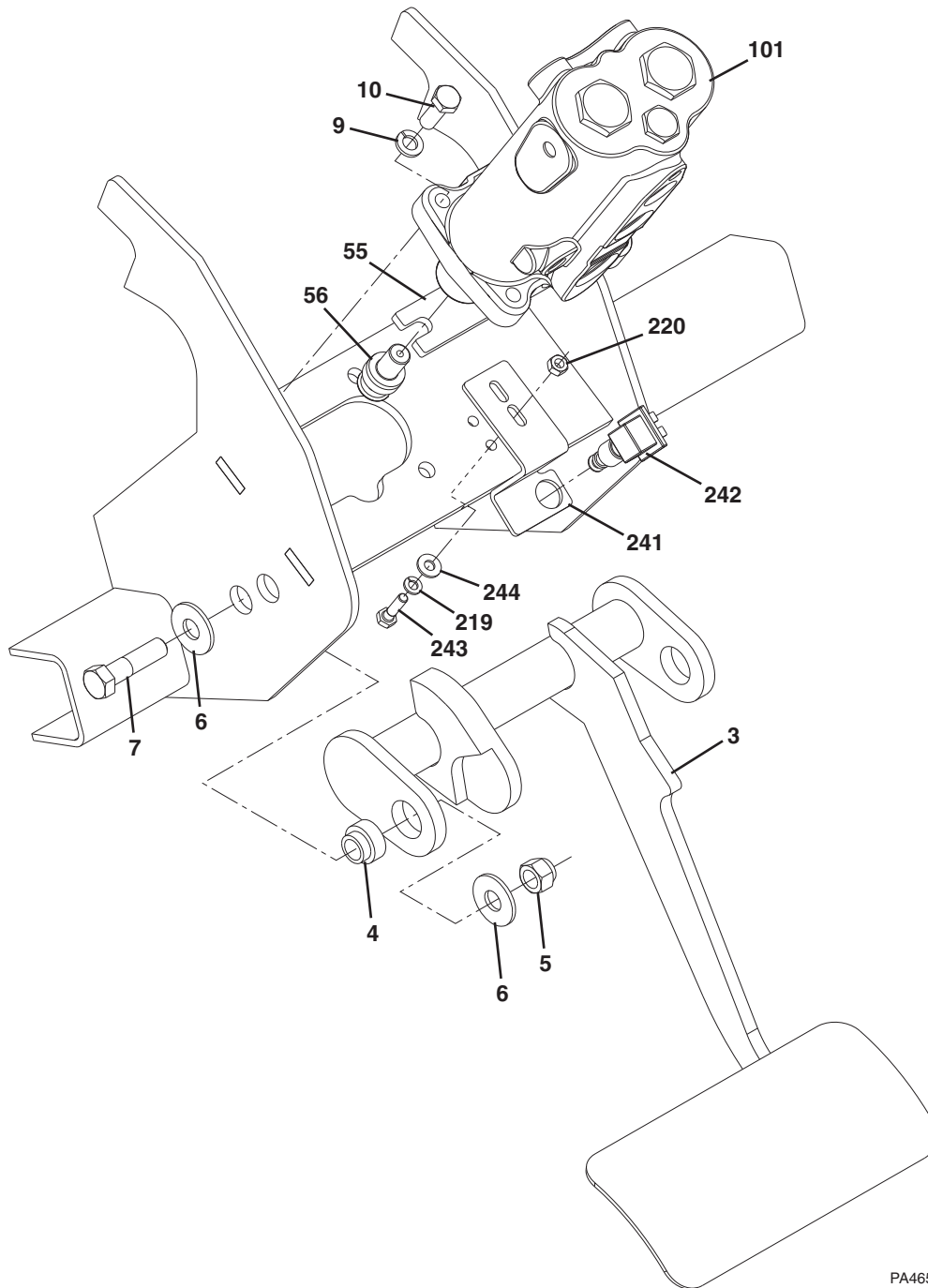


**Figure 7-1 Service Brake Pedal Control**

Item	Part Number	Qty.	Description	Rev.
1	8223025	1	SERVICE BRAKE SWITCH	
2	7139271	1	BRAKE SWITCH BRACKET	
3	8307109	2	FLAT WASHER, 1/4	
4	8303540	2	HEX HD CAPSCREW, 1/4-20X1	
5	8307002	2	LOCK WASHER, 1/4	
6	8305004	2	HEX NUT, 1/4-20	
7	8303755	4	HEX HD CAPSCREW, M10-1.5X30mm	
8	8307023	4	LOCK WASHER, M10	
9	8024024	1	SERVICE BRAKE PEDAL KIT, (includes items 10 thru 14)	
10	7139027	1	BRAKE PEDAL	
11	8305644	2	LOCKNUT 1/2-13	
12	8307206	4	FLAT WASHER, 1/2	
13	7129521	2	BRAKE PEDAL PIVOT	
14	8303658	2	HEX HD CAPSCREW, 1/2-13X2	
15		Ref	BRAKE VALVE, (see Figure 8-1 for details)	



Figure 7-1 Service Brake Pedal Control



PA4651



Figure 7-1 Service Brake Pedal Control

Item	Part Number	Qty.	Description	Rev.
3	1001103113	1	BRAKE PEDAL	
4	7129521	2	BRAKE PEDAL PIVOT	
5	8305644	2	HEX LOCKNUT, 1/2-13	
6	8307206	4	FLAT WASHER, 1/2	
7	8303658	2	HEX HD CAPSCREW, 1/2-13X2, GR5	
9	8307023	4	LOCKWASHER, 10mm	
10	8303755	4	HEX HD CAPSCREW, 10X1-1/2X30mm, GR8.8	
55	91511145	1	TIE BAR	
56	91513180	2	ACTUATOR	
101		Ref	BRAKE VALVE, (see Figure 8-1 for details)	
219	8307002	2	LOCKWASHER, 1/4	
220	8305004	2	HEX NUT, 1/4-20	
241	1001107355	1	SERVICE BRAKE SWITCH BRACKET	
242	8223025	1	SERVICE BRAKE SWITCH	
243	8303540	2	HEX HD CAPSCREW, 1/4-20X1	
244	8307109	2	FLAT WASHER, 1/4	



Figure 7-2 Throttle Pedal Control

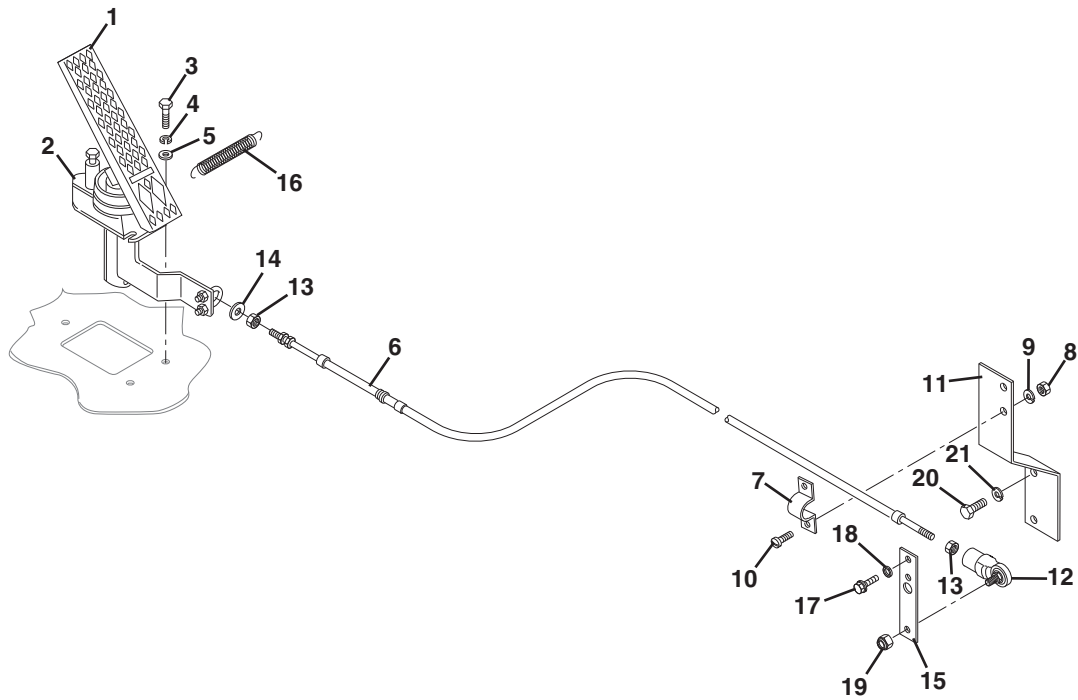




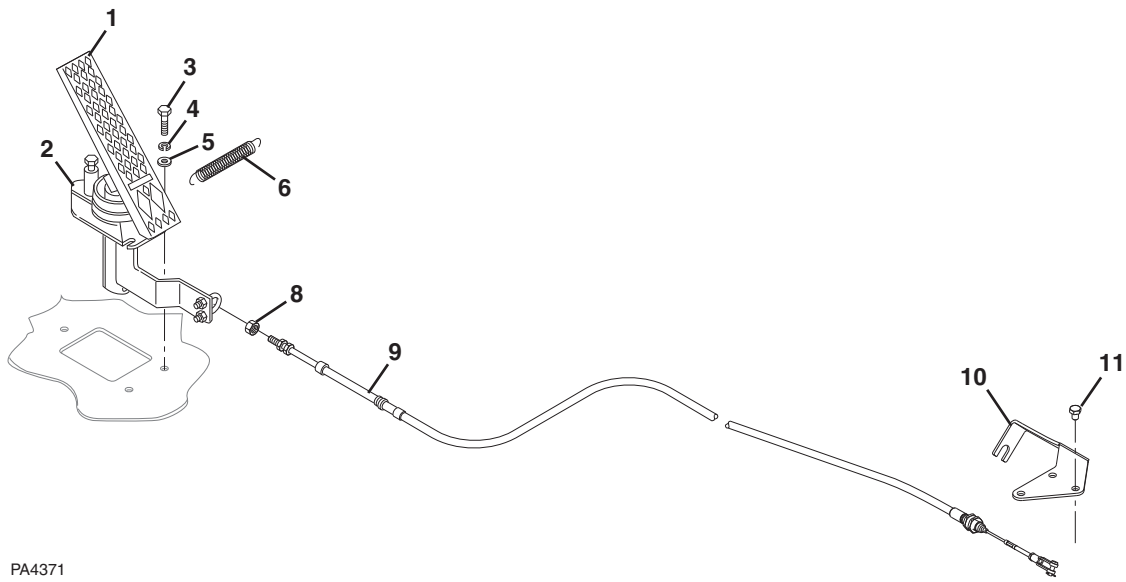
Figure 7-2 Throttle Pedal Control

Item	Part Number	Qty.	Description	Rev.
1	8162003	1	THROTTLE PEDAL, (includes item 2)	AC
2	8033178	1	THROTTLE PEDAL BELLOWS	
3	8303540	3	HEX HD CAPSCREW, 1/4-20X1	
4	8307002	3	LOCKWASHER, 1/4	
5	8307109	3	FLAT WASHER, 1/4	
6	8160080	1	THROTTLE CABLE	
7	8160610	1	CABLE CLAMP	
8	8305002	2	HEX NUT, #10-24	
9	8307003	2	LOCKWASHER, #10	
10	8303837	2	ROUND HD SCREW, #10-24X3/4	
11	7127102	1	THROTTLE CABLE BRACKET	
12	8340034	1	ROD END	
13	8305402	2	JAMNUT, 1/4	
14	8307109	AR	FLAT WASHER, 1/4	
15	7127091	1	THROTTLE LEVER EXTENSION	
16	8700116	1	SPRING	
17	8303799	2	HEX HD CAPSCREW, M6X14mm	
18	8307024	2	LOCKWASHER, M6	
19	8305650	1	LOCKNUT, 1/4	
20	8303790	2	HEX HD CAPSCREW, M12X30mm	
21	8307025	2	LOCKWASHER, M12	



**CONTROLS**

**Figure 7-2 Throttle Pedal Control**



PA4371



Figure 7-2 Throttle Pedal Control

Item	Part Number	Qty.	Description	Rev.
1	8162003	1	THROTTLE PEDAL, (includes item 2)	AC
2	8033178	1	THROTTLE PEDAL BELLOWS	
3	8303540	3	HEX HD CAPSCREW, 1/4-20X1	
4	8307002	3	LOCKWASHER, 1/4	
5	8307109	3	FLAT WASHER, 1/4	
6	8700116	1	SPRING	
8	8305402	2	JAMNUT, 1/4	
9	1600373	1	THROTTLE CABLE	
10	7302331	1	THROTTLE CABLE BRACKET	
11	8310628	3	HEX HD CAPSCREW, M10X1.5X14mm, PC8.8, (torque to 45-60 lb-ft)	



Figure 7-2 Throttle Pedal Control

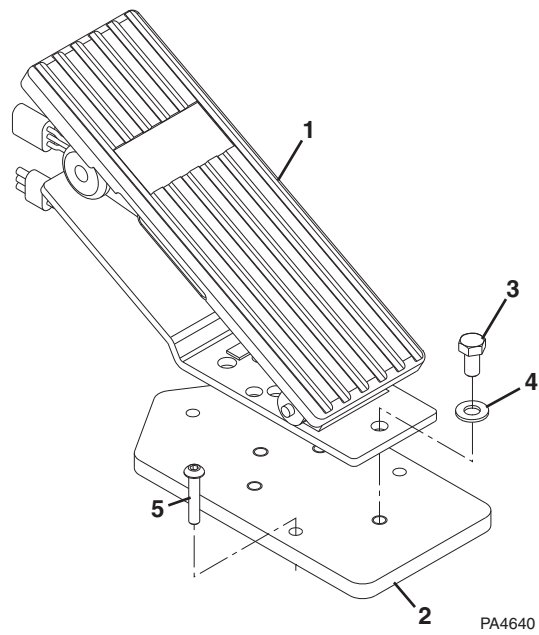




Figure 7-2 Throttle Pedal Control

Item	Part Number	Qty.	Description	Rev.
	7301585	1	THROTTLE PEDAL ADAPTER ASSY, (includes items 1 thru 5)	C
1	3400022	1	THROTTLE PEDAL ACCELERATOR	
2	3576442	1	THROTTLE ADAPTER PLATE	
3	8303745	4	HEX HD CAPSCREW, 5/16-18X5/8, GR5	
4	8307106	4	FLAT WASHER, 5/16	
5	8310725	3	BUTTON HD CAPSCREW, 1/4-20X1-1/4	



Figure 7-3 Steering Wheel & Shifter

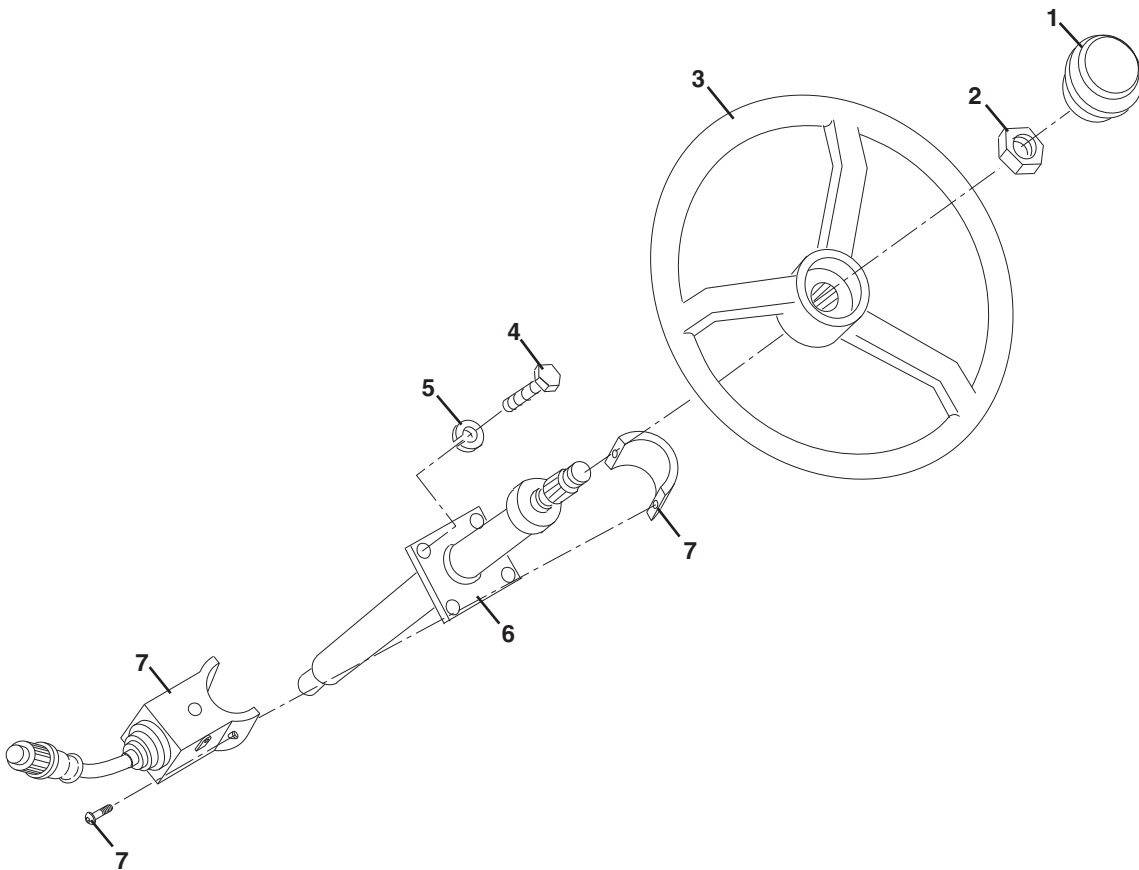




Figure 7-3 Steering Wheel &amp; Shifter

Item	Part Number	Qty.	Description	Rev.
1	7138878	1	STEERING WHEEL CAP, (with horn button switch)	
2	8305916	1	STEERING COLUMN NUT, (torque to 45-50 lb-ft)	
3	7138836	1	STEERING WHEEL	
4	8303534	4	FLAT HD CAPSCREW, #10-16X1-1/4, (torque to 13 lb-ft)	
5	8307005	4	LOCKWASHER, 3/8	
6	7138833	1	STEERING COLUMN	
	7029367	1	HORN BRUSH KIT	
7	8223049	1	TRANSMISSION RANGE SELECTOR SHIFTER, (S/N 17019 thru 19897 & 0160002408 thru 0160015196), (includes mounting hardware)	
	1600429	1	TRANSMISSION RANGE SELECTOR SHIFTER, (S/N 0160015215 & After), (includes mounting hardware)	



# CONTROLS

Figure 7-4 Control Console

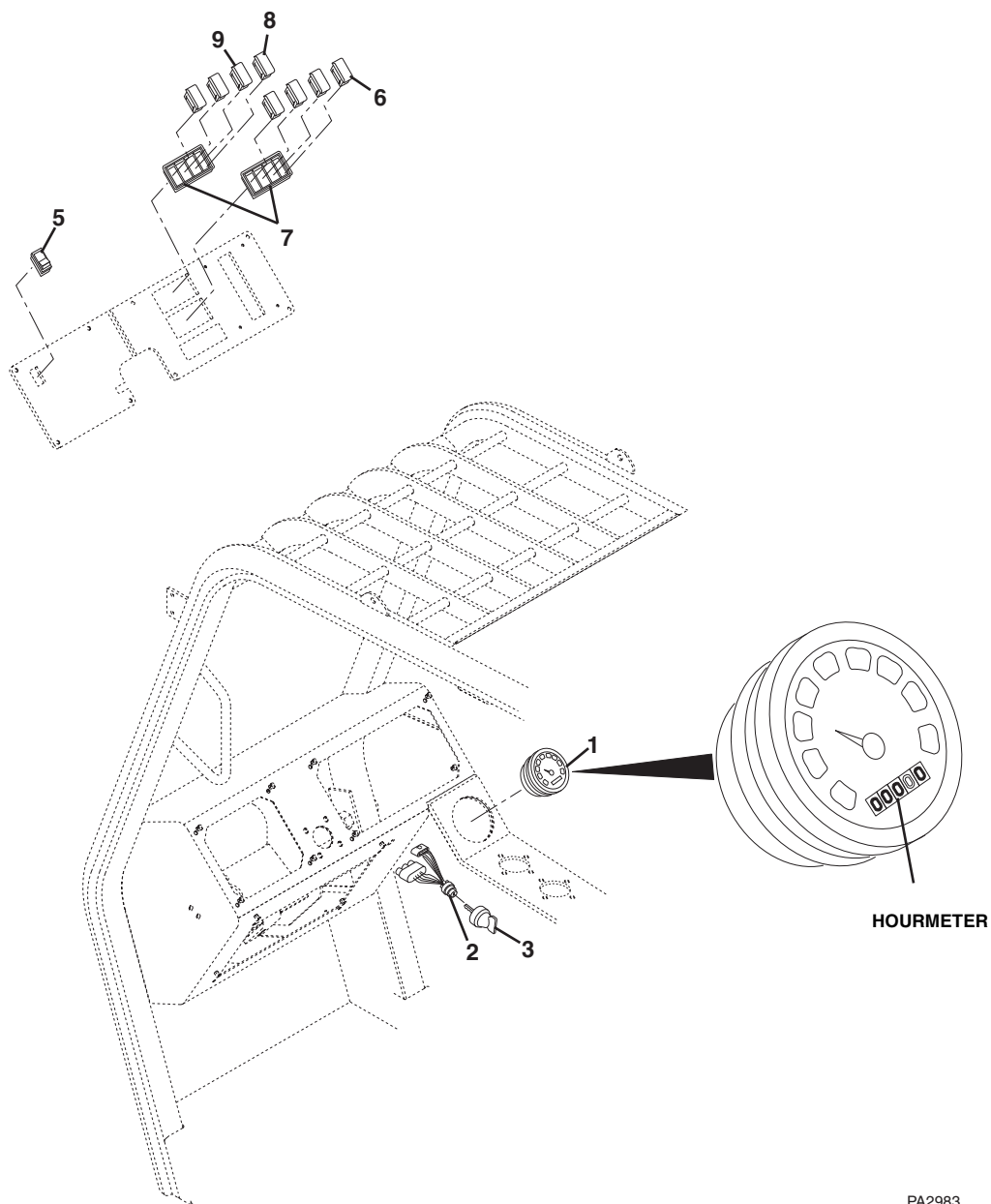




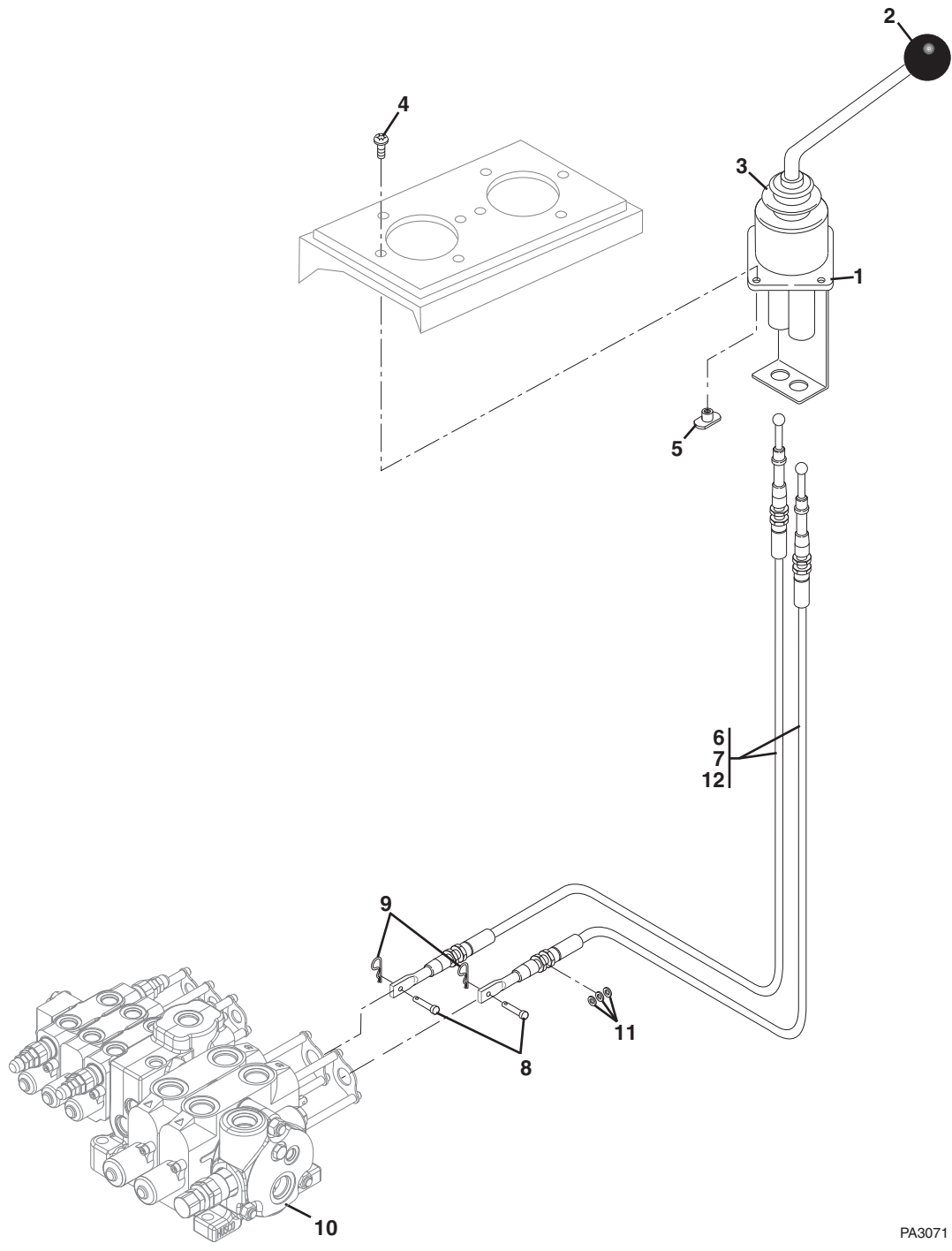
Figure 7-4 Control Console

Item	Part Number	Qty.	Description	Rev.
1	7150708	1	INSTRUMENT CLUSTER, (includes hourmeter)	
2	8223453	Ref	IGNITION SWITCH, (includes item 3), <b>(S/N 17019 thru 19897 &amp; 0160002408 thru 0160023103)</b> , (no longer available, use ignition switch 4360690 for replacement or kit 2915161 on Figure 12-9 for service)	
	4360690	1	IGNITION SWITCH, (includes item 3), <b>(S/N 0160023252 &amp; After)</b>	
3	8035807	AR	KEY, (with cover)	
5	8223054	1	PARK BRAKE SWITCH	
6	8223037	1	STEER SELECT SWITCH	
7	8223046	2	BEZEL SWITCH	
8	8223081	1	ECM INDICATOR, <b>(S/N 0160038919 &amp; After including 0160033533)</b>	
9	8223082	1	ENGINE PREHEAT INDICATOR, <b>(S/N 0160038919 &amp; After including 0160033533)</b>	



**CONTROLS**

**Figure 7-5 Boom Lift/Lower & Extend/Retract Control**



PA3071



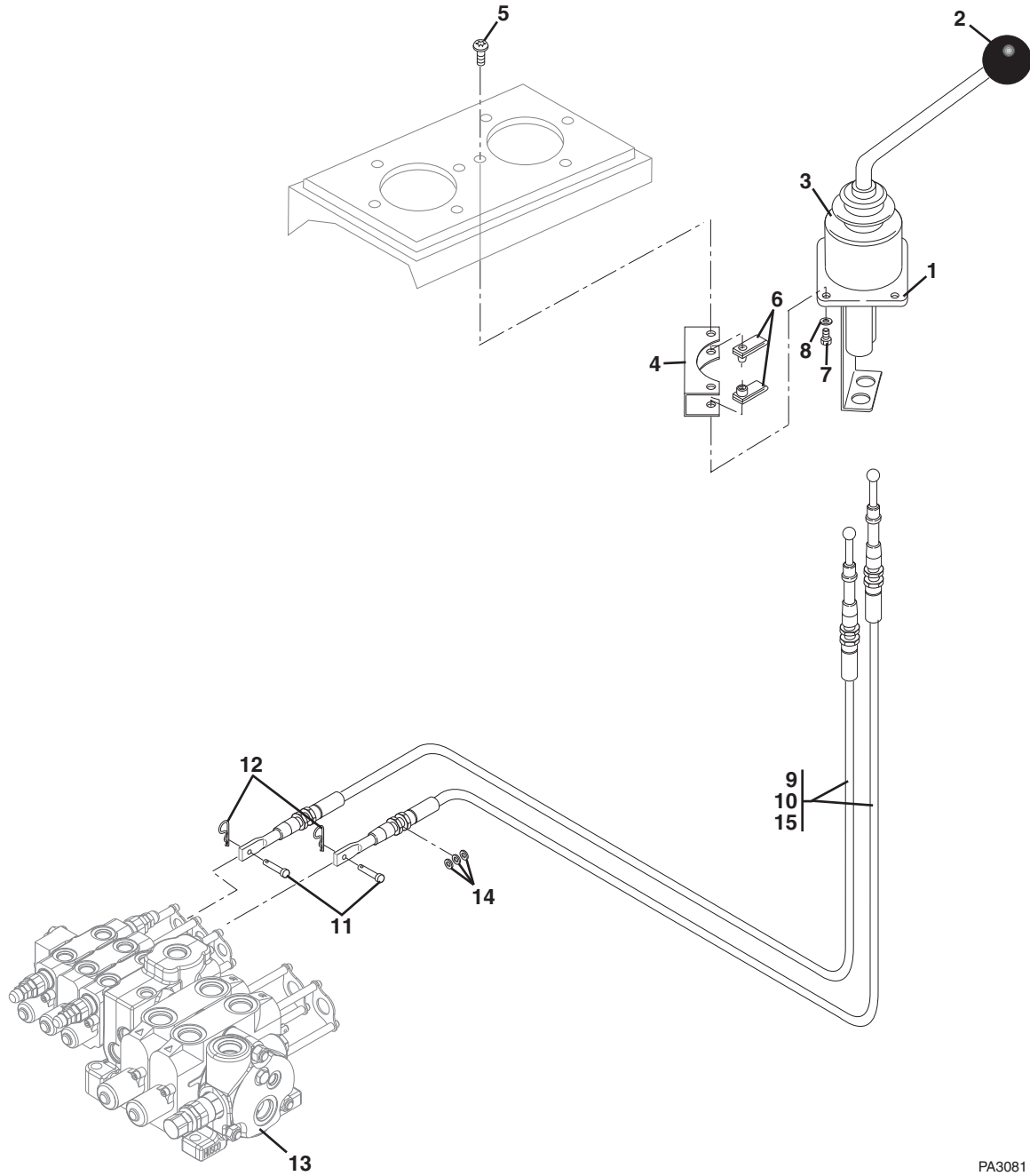
Figure 7-5 Boom Lift/Lower &amp; Extend/Retract Control

Item	Part Number	Qty.	Description	Rev.
1	8224045	1	JOYSTICK WITH GATE, (includes items 2 & 3)	AB
2	8580110	1	KNOB	
3	8160419	1	BOOT	
4	8310143	4	HEX HD SCREW, 1/4X1	
5	8310144	4	PROP TEE NUT	
6	8024021	2	BOOM LIFT/LOWER & EXTEND/RETRACT CONTROL CABLE ASSY, (includes items 7 thru 9)	
7	1001132550	1	CONTROL CABLE	
8	8301443	1	CLEVIS PIN, 3/16X1	
9	8302470	1	HAIR PIN, 3/32	
10		Ref	MAIN CONTROL VALVE, (see Figure 9-8 for details)	
11	4812300	6	FLAT WASHER, M16	
12	0100011	AR	LOCTITE® 242™	



# CONTROLS

Figure 7-6 Frame Sway & Attachment Tilt Control



PA3081



Figure 7-6 Frame Sway &amp; Attachment Tilt Control

Item	Part Number	Qty.	Description	Rev.
1	8224047	1	JOYSTICK WITH GATE, (includes items 2 & 3)	AB
2	8580110	1	KNOB	
3	8160419	1	BOOT	
4	7098142	2	SPACER	
5	88261017	4	HEX HD SCREW, 1/4-20NCX7/8	
6	8310001	8	NUT	
7	8303540	4	HEX HD SCREW, 1/4X1	
8	8307109	4	FLAT WASHER, 1/4	
9	8024022	2	FRAME SWAY & ATTACHMENT TILT CONTROL CABLE ASSY, (includes items 10 thru 12)	
10	1001132551	1	CONTROL CABLE	
11	8301443	1	CLEVIS PIN, 3/16X1	
12	8302470	1	HAIR PIN, 3/32	
13		Ref	MAIN CONTROL VALVE, (see Figure 9-8 for details)	
14	4812300	6	FLAT WASHER, M16	
15	0100011	AR	LOCTITE® 242™	



# CONTROLS

Figure 7-7 Auxiliary Hydraulic Control

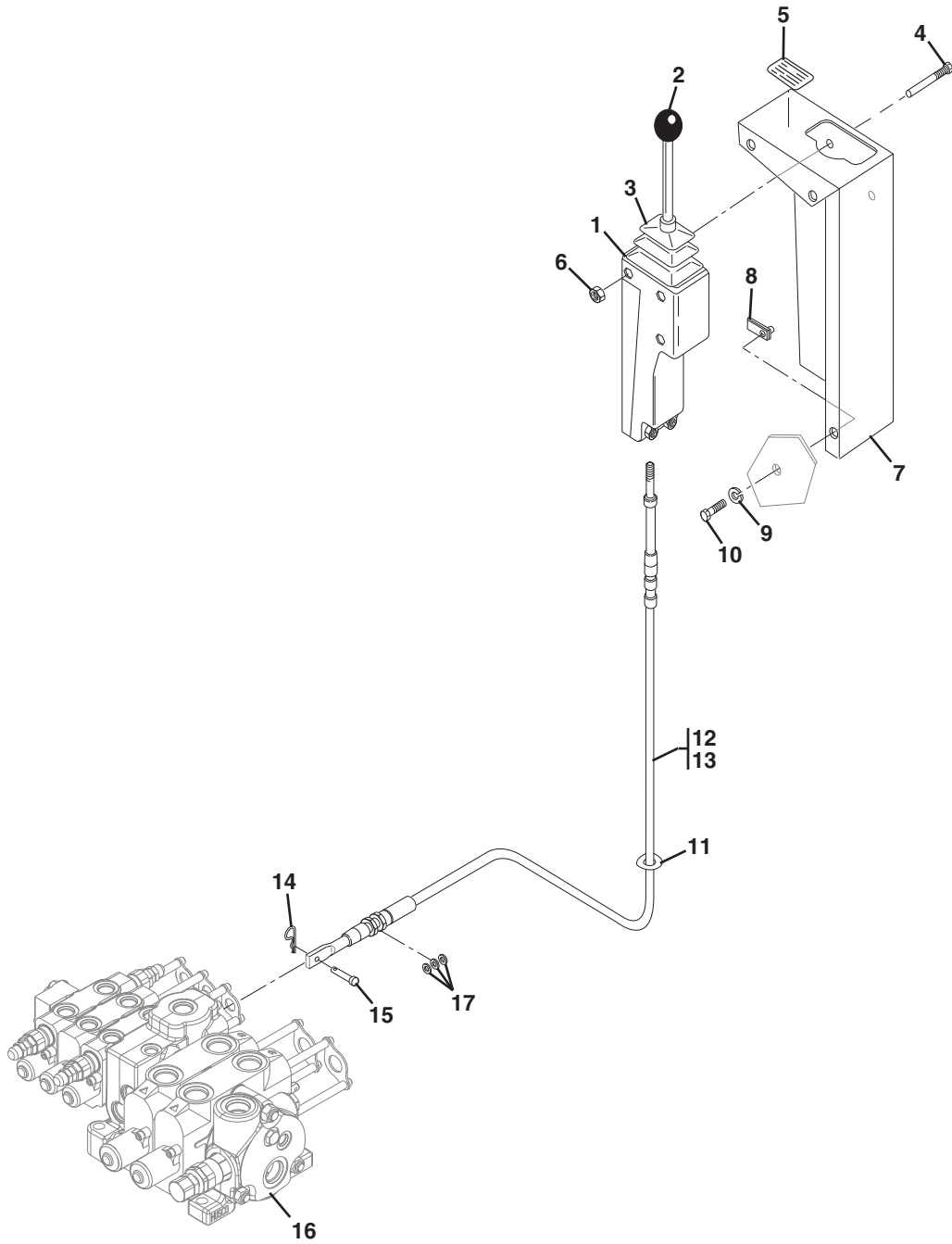




Figure 7-7 Auxiliary Hydraulic Control

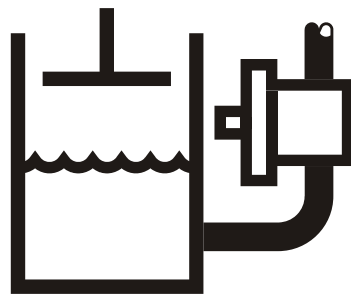
Item	Part Number	Qty.	Description	Rev.
1	8160406	1	CONTROLLER, (includes items 2 & 3)	AB
2	8580110	1	KNOB	
3	8160418	1	BOOT	
4	8303758	2	HEX HD CAPSCREW, 1/4-20X2	
5	4105621	1	AUXILIARY CONTROL DECAL	
6	8305004	2	HEX NUT, 1/4-20	
7	7091323	1	CONTROLLER SUPPORT	
8	8305906	3	RETAINING NUT, 5/16-18	
9	8307004	3	LOCKWASHER, 5/16	
10	8303697	3	HEX HD CAPSCREW, 5/16-18X3/4	
11	7125871	AR	CONDUIT, .5X8	
12	8024023	1	AUXILIARY HYDRAULICS CONTROL CABLE ASSY, (includes 13 thru 15)	
13	8160078	1	CONTROL CABLE	
14	8302470	1	HAIR PIN	
15	8301443	1	CLEVIS PIN	
16		Ref	MAIN CONTROL VALVE, (see Figure 9-8 for details)	
17	4812300	3	FLAT WASHER, M16	



## CONTROLS

**This Page Intentionally Left Blank**

# SECTION 8 HYDRAULIC CIRCUITS



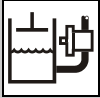
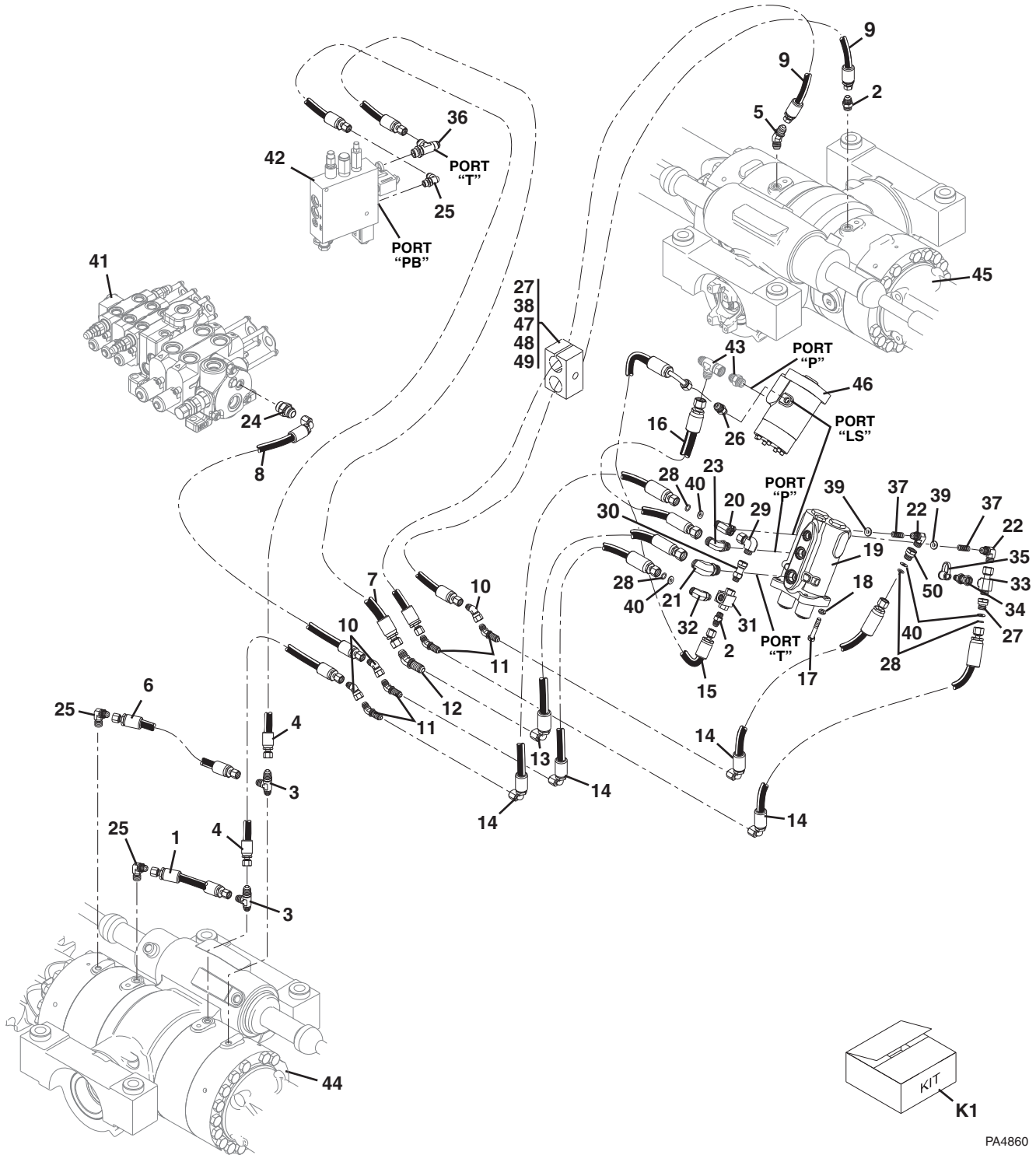


Figure 8-1 Service Brake & De-Clutch



PA4860

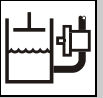
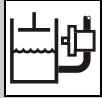


Figure 8-1 Service Brake & De-Clutch

Item	Part Number	Qty.	Description	Rev.
1	2716765	1	HOSE ASSY	
2	2220371	2	STRAIGHT CONNECTOR	
3	2220606	2	MALE RUN TEE	
4	2716763	2	HOSE ASSY	
5	8760312	1	ELBOW, 45 DEGREES	
6	2716761	1	HOSE ASSY	
7	2716770	1	HOSE ASSY, (S/N 17019 thru 19897 & 0160002408 thru 0160018885)	
	2754737	1	HOSE ASSY, (S/N 0160018886 & After)	
8	2716762	1	HOSE ASSY	
9	2716766	2	HOSE ASSY	
10	2220657	3	ELBOW, 45 DEGREES, (swivel nut)	
11	8770189	4	BULKHEAD ELBOW, 45 DEGREES	
12	8760237	1	ELBOW, 45 DEGREES, (S/N 14834 thru 19988 & 0160002345 thru 0160018879)	
	2230035	1	BULKHEAD ELBOW, 45 DEGREES, (S/N 0160018880 & After)	
13	2716697	1	HOSE ASSY, (S/N 17019 thru 19897 & 0160002408 thru 0160018885)	
	2754736	1	HOSE ASSY, (S/N 0160018886 & After)	
14	2716699	4	HOSE ASSY	
15	2716700	1	HOSE ASSY	
16	2716695	1	HOSE ASSY	
17	8303755	4	HEX HD CAPSCREW, M10X30mm	
18	8307023	4	LOCK WASHER, M10	
	8902274	1	BRAKE VALVE ASSY, (includes items 19 thru 23), (no longer available, use 1001109404 for replacement)	D
	1001109404	1	BRAKE VALVE ASSY, (includes items 19 thru 23)	B
19		Ref	BRAKE VALVE, (see Figure 9-14 for details)	
20	8770183	1	BRANCH TEE, (includes o-ring)	
21	8770175	1	ELBOW, 90 DEGREES, (includes o-ring)	
22	8770109	2	ELBOW, 90 DEGREES, (includes o-ring)	
23	8770120	1	ELBOW, 90 DEGREES, (includes o-ring)	
24	2220371	1	STRAIGHT CONNECTOR	
25	2220473	3	ELBOW, 90 DEGREES	
26	2220630	1	STRAIGHT CONNECTOR	
27	8303264	1	HEX HD CAPSCREW, .438-14X1.50, GR8, (torque to 46-84 lb-ft)	
28	8630003	4	O-RING	
29	2172106	1	ELBOW, 90 DEGREES, (swivel nut)	
30	2221123	1	SWIVEL CONNECTOR	
31	8902175	1	SHUTTLE VALVE	
32	2130606	1	ELBOW, 90 DEGREES	
33	2170706	1	SWIVEL RUN TEE	
34	8430081	1	SWIVEL NIPPLE, 1/8 BODY	
35	8430032	1	DUST PLUG	
36	2220602	1	MALE RUN TEE	
37	Use Kit K1	2	CONICAL SPRING	
38	8769123	1	TWIN COVER PLATE	
39	Use Kit K1	2	ORIFICE	
40	7139212	4	ORIFICE DISK, .089 DIA	
41		Ref	MAIN CONTROL VALVE, (see Figure 9-8 for details)	
42		Ref	SECONDARY FUNCTION MANIFOLD, (see Figure 9-9 for details)	



## HYDRAULIC CIRCUITS

Before S/N 0160038919  
excluding S/N 0160033533

**Figure 8-1 Service Brake & De-Clutch (Continued)**

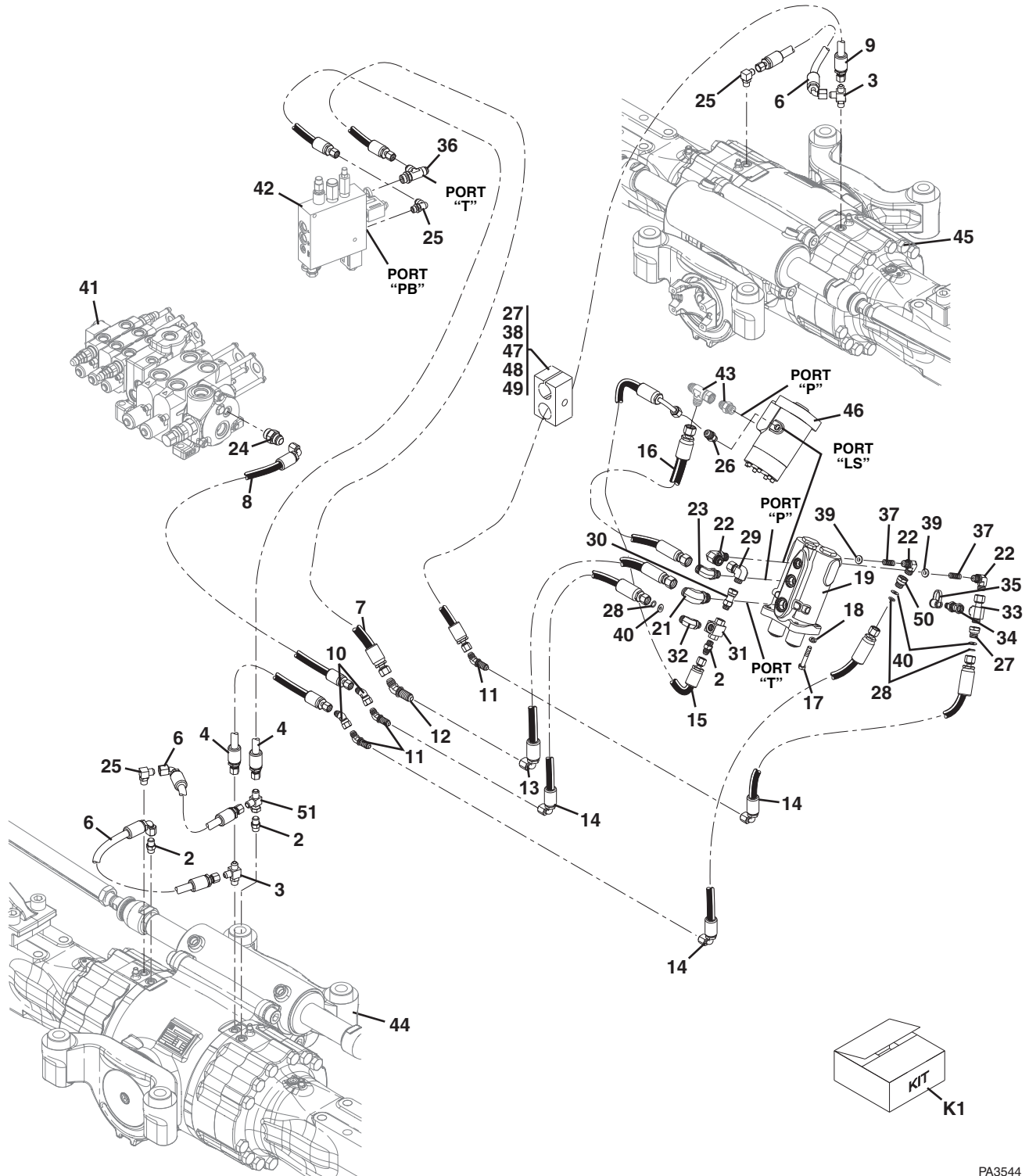
Item	Part Number	Qty.	Description	Rev.
43		Ref	POWER STEERING CIRCUIT, (see Figure 8-5 for details)	
44		Ref	FRONT AXLE, (see Figure 5-2 for details)	
45		Ref	REAR AXLE, (see Figure 5-10 for details)	
46		Ref	STEERING UNIT, (see Figure 8-5 for details)	
47	8307004	1	LOCKWASHER, 5/16	
48	8750015	1	CLAMP SET	
49	8750017	1	LOCKING PLATE	
50	7139179	1	ORIFICE FITTING	
K1	8036385	1	BRAKE VALVE SEAL KIT, (includes qty. 1 of item 37 qty. 1 of item 39)	

**Figure 8-1 Service Brake & De-Clutch (Continued)**

Item	Part Number	Qty.	Description	Rev.



Figure 8-1 Service Brake & De-Clutch



PA3544

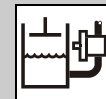
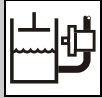


Figure 8-1 Service Brake & De-Clutch

Item	Part Number	Qty.	Description	Rev.
2	2220371	3	STRAIGHT CONNECTOR	
3	2220606	2	MALE RUN TEE	
4	2716763	2	HOSE ASSY	
6	2716670	3	HOSE ASSY	
7	2754737	1	HOSE ASSY	
8	2716762	1	HOSE ASSY	
9	2716766	1	HOSE ASSY	
10	2220657	2	ELBOW, 45 DEGREES, (swivel nut)	
11	8770189	4	BULKHEAD ELBOW, 45 DEGREES	
12	2230035	1	BULKHEAD ELBOW, 45 DEGREES	
13	2754736	1	HOSE ASSY	
14	2716699	3	HOSE ASSY	
15	2716700	1	HOSE ASSY	
16	2716695	1	HOSE ASSY	
17	8303755	4	HEX HD CAPSCREW, M10X30mm	
18	8307023	4	LOCK WASHER, M10	
	1001109404	1	BRAKE VALVE ASSY, (includes items 19 thru 23)	B
19	Ref		BRAKE VALVE, (see Figure 9-14 for details)	
20	8770183	1	BRANCH TEE, (includes o-ring)	
21	8770175	1	ELBOW, 90 DEGREES, (includes o-ring)	
22	8770109	2	ELBOW, 90 DEGREES, (includes o-ring)	
23	8770120	1	ELBOW, 90 DEGREES, (includes o-ring)	
24	2220371	1	STRAIGHT CONNECTOR	
25	2220473	3	ELBOW, 90 DEGREES	
26	2220603	1	STRAIGHT CONNECTOR	
27	8303264	1	HEX HD CAPSCREW, .438-14X1-1/2, GR8	
28	8630003	3	O-RING	
29	2172106	1	ELBOW, 90 DEGREES, (swivel nut)	
30	2221123	1	SWIVEL CONNECTOR	
31	8902175	1	SHUTTLE VALVE	
32	2130606	1	ELBOW, 90 DEGREES	
33	2170706	1	SWIVEL RUN TEE	
34	8430081	1	SWIVEL NIPPLE, 1/8 BODY	
35	8430032	1	DUST PLUG	
36	2220602	1	MALE RUN TEE	
37	Use Kit K1	2	CONICAL SPRING	
38	8769123	1	TWIN COVER PLATE	
39	Use Kit K1	2	ORIFICE	
40	7139212	3	ORIFICE DISK, .089 DIA	
41	Ref		MAIN CONTROL VALVE, (see Figure 9-8 for details)	
42	Ref		SECONDARY FUNCTION MANIFOLD, (see Figure 9-9 for details)	
43	Ref		POWER STEERING CIRCUIT, (see Figure 8-5 for details)	
44	Ref		FRONT AXLE, (see Figure 5-2 for details)	
45	Ref		REAR AXLE, (see Figure 5-10 for details)	
46	Ref		STEERING UNIT, (see Figure 8-5 for details)	
47	8307004	1	LOCKWASHER, 5/16	
48	8750015	1	CLAMP SET	
49	8750017	1	LOCKING PLATE	



**Figure 8-1 Service Brake & De-Clutch (Continued)**

Item	Part Number	Qty.	Description	Rev.
50	7139179	1	ORIFICE FITTING	
51	2220635	1	TEE FITTING	
K1	8036385	1	BRAKE VALVE SEAL KIT, (includes qty 1 of item 37 and qty 1 of item 39)	

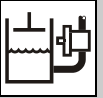
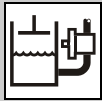


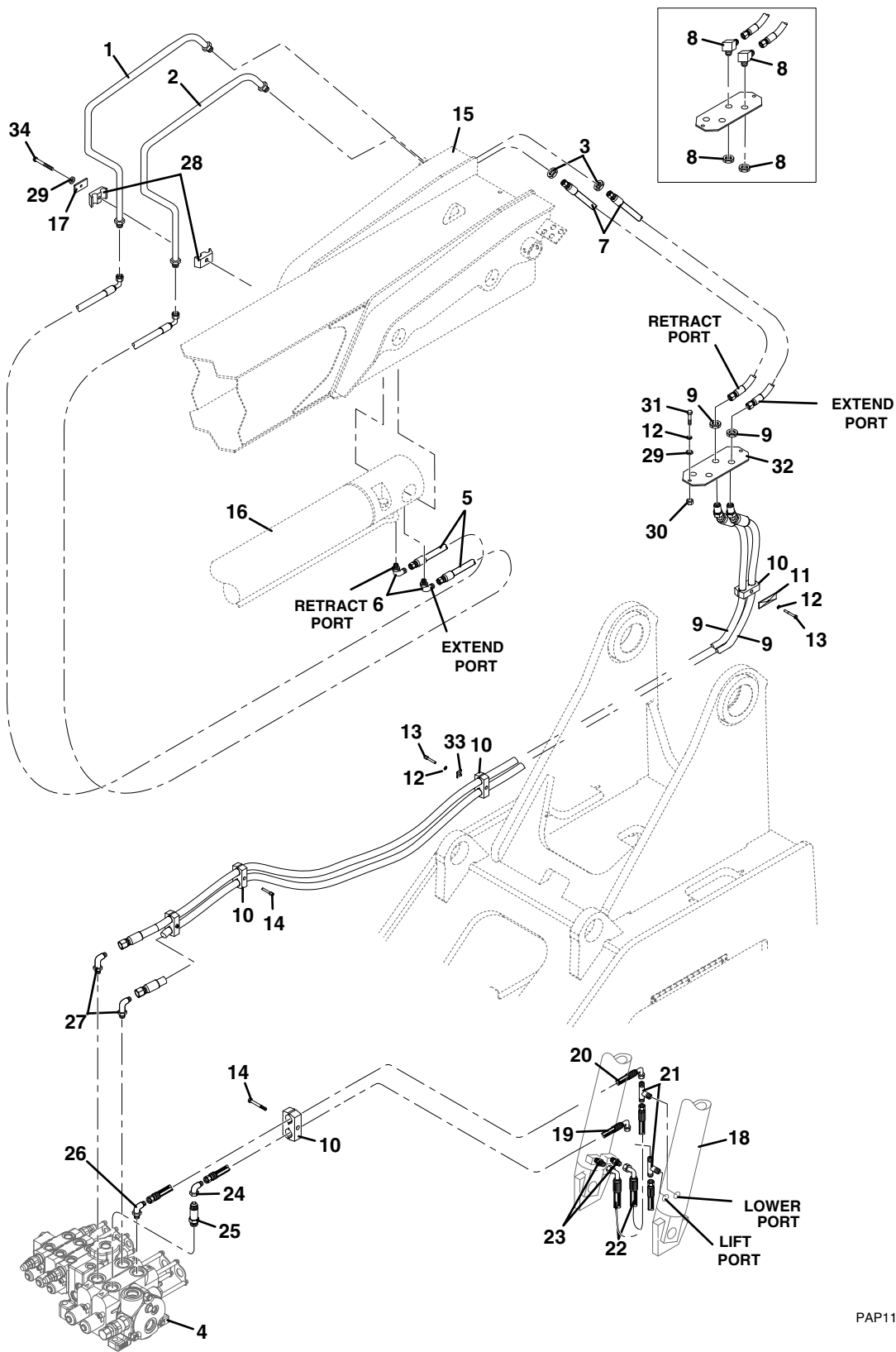
Figure 8-1 Service Brake & De-Clutch (Continued)

Item	Part Number	Qty.	Description	Rev.



# HYDRAULIC CIRCUITS

## Figure 8-2 Boom Lift/Lower & Extend/Retract



PAP11050

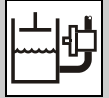


Figure 8-2 Boom Lift/Lower & Extend/Retract

Item	Part Number	Qty.	Description	Rev.
1	7300671	1	BOOM EXTEND CYLINDER TUBE	
2	7300670	1	BOOM EXTEND CYLINDER TUBE	
3	8760468	2	BULKHEAD LOCKNUT	
4		Ref	MAIN CONTROL VALVE, (see Figure 9-8 for details)	
5	2717018	2	HOSE ASSY	
6	2220578	2	ELBOW, 90 DEGREES	
7	2755060	2	HOSE ASSY	
8	2230046	2	BULKHEAD ELBOW, 90 DEGREES, (S/N 17019 thru 19897 & 0160002408 thru 0160012301)	
9	2716778	2	HOSE ASSY, (S/N 17019 thru 19897 & 0160002408 thru 0160012301)	
	2755059	2	HOSE ASSY, (S/N 0160012302 thru 0160039074)	
	1001114202	2	HOSE ASSY, (S/N 0160039075 & After)	
10	8750040	5	TWIN CLAMP SET, 1.18 DIA	
11	8750025	2	TWIN COVER PLATE	
12	8307004	3	LOCKWASHER, 5/16	
13	8303757	2	HEX HD CAPSCREW, 5/16-18X2.50	
14	8750026	3	STACKING BOLT, (torque to 11.6-21 lb-ft)	
15		Ref	FIRST BOOM SECTION, (see Figure 2-3 for details)	
16		Ref	EXTEND/RETRACT CYLINDER, (see Figure 9-1 for details)	
17	8769128	1	TWIN COVER PLATE	
18		Ref	LIFT/LOWER CYLINDER, (see Figure 9-2 for details)	
19	2716784	1	HOSE ASSY	
20	2716785	1	HOSE ASSY	
21	2220695	2	MALE BRANCH TEE	
22	2716675	2	HOSE ASSY	
23	2220375	2	STRAIGHT CONNECTOR	
24	2220655	1	ELBOW, 90 DEGREES, (swivel nut)	
25	2220451	1	STRAIGHT CONNECTOR	
26	2220578	1	ELBOW, 90 DEGREES	
27	8770157	2	ELBOW, 90 DEGREES	
28	8769139	1	CLAMP SET, .750 DIA. TWIN	
29	8307106	9	FLAT WASHER, .34X.69X.065	
30	8305006	4	HEX NUT, 5/16-18	
31	8310009	2	HEX HD CAPSCREW, 5/16-18X2.0	
32		Ref	RH BULKHEAD PLATE, (see Figure 8-3 for details)	
33	8750017	1	TWIN CLAMP LOCKING PLATE, (S/N 17019 thru 19897 & 0160002408 thru 0160033307)	
	8750025	1	TWIN COVER PLATE, (S/N 0160033308 & After)	
34	8310009	1	HEX HD CAPSCREW, 5/16-18X2.0, (S/N 17019 thru 19897 & 0160002408 thru 0160013566)	
	8303746	1	HEX HD CAPSCREW, 5/16-18X1-3/4, (S/N 0160013567 & After)	

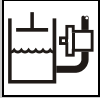
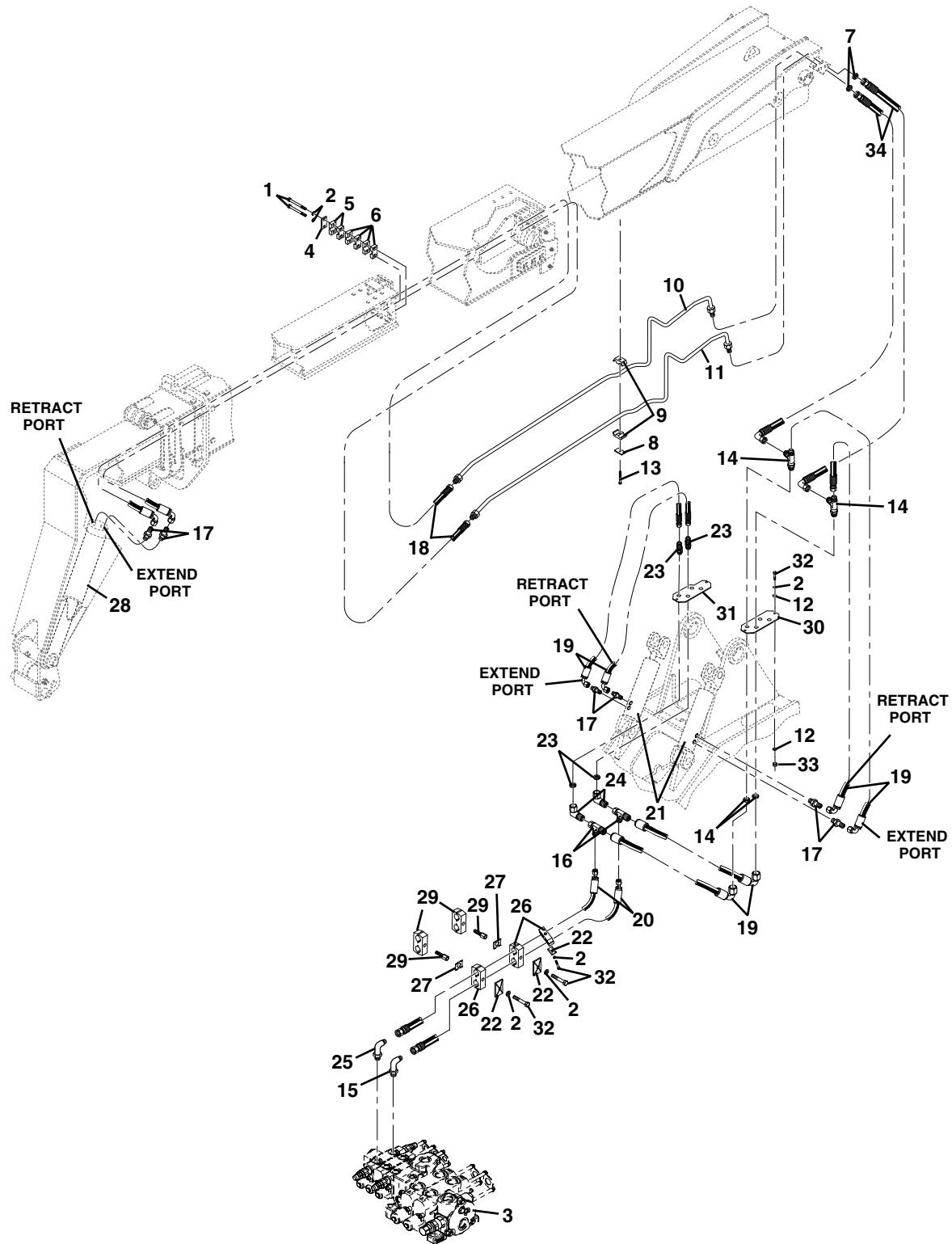


Figure 8-3 Attachment Tilt & Slave



PAP11070

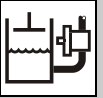


Figure 8-3 Attachment Tilt &amp; Slave

Item	Part Number	Qty.	Description	Rev.
1	8303752	4	HEX HD CAPSCREW, 5/16-18X3-1/2, GR5	
2	8307004	9	LOCKWASHER, 5/16	
3		Ref	MAIN CONTROL VALVE, (see Figure 9-8 for details)	
4	8769149	1	COVER PLATE	
5	8769161	2	HALF CLAMP, 3/4 DIA	
6	8750003	4	HALF CLAMP, 5/8 DIA	
7	8760465	2	BULKHEAD NUT, 10FF	
8	8769123	3	TWIN COVER PLATE	
9	8769122	3	TWIN CLAMP, .62 DIA	
10	7300672	1	BOOM ATTACHMENT TILT TUBE, (retract)	
11	7300673	1	BOOM ATTACHMENT TILT TUBE, (extend)	
12	8307106	8	FLAT WASHER, .34X.69X.065	
13	8303739	3	HEX HD CAPSCREW, 5/16-18X1.25	
14	8760477	2	BULKHEAD MALE RUN TEE	
15	2220596	1	ELBOW, 90 DEGREES	
16	2220385	2	FEMALE SWIVEL RUN TEE	
17	8760117	6	STRAIGHT CONNECTOR	
18	2713452	2	BOOM HOSE ASSY	
19	2716684	6	HOSE ASSY	
20	2716767	2	HOSE ASSY	
21		Ref	SLAVE CYLINDER, (see Figure 9-6 for details)	
22	8769128	3	TWIN COVER PLATE	
23	8760045	2	BULKHEAD STRAIGHT UNION	
24	8765204	2	ELBOW, 90 DEGREES, (swivel nut)	
25	2220474	1	ELBOW, 90 DEGREES	
26	8750016	3	TWIN CLAMP SET, 1.18 DIA	
27	8750017	2	LOCK FOR TWIN CLAMP PLATE	
28		Ref	ATTACHMENT TILT CYLINDER, (see Figure 9-4 for details)	
29		Ref	CLAMP & HARDWARE, (see Figure 8-2 for details)	
30	7139504	1	LH BULKHEAD PLATE	
31	7139505	1	RH BULKHEAD PLATE	
32	8310009	7	HEX HD CAPSCREW, 5/16-18X2.00	
33	8305006	4	HEX NUT, 5/16-18	
34	2716714	2	HOSE ASSY	



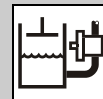


Figure 8-3 Attachment Tilt & Slave

Item	Part Number	Qty.	Description	Rev.
1	8303752	4	HEX HD CAPSCREW, 5/16-18X3-1/2, GR5	
2	8307004	9	LOCKWASHER, 5/16	
3	8305006	4	HEX NUT, 5/16-18	
4	8769149	1	COVER PLATE	
5	8769161	2	HALF CLAMP, 3/4 DIA	
6	8750003	4	HALF CLAMP, 5/8 DIA	
7	8760465	2	BULKHEAD NUT, 10FF	
8	8769123	3	TWIN COVER PLATE	
9	8769122	3	TWIN CLAMP, .62 DIA	
10	7300672	1	BOOM ATTACHMENT TILT TUBE, (retract)	
11	7300673	1	BOOM ATTACHMENT TILT TUBE, (extend)	
12	8307203	8	PLAIN WASHER, .312	
13	8303739	3	HEX HD CAPSCREW, 5/16-18X1.25	
14	8760477	2	BULKHEAD MALE RUN TEE	
15	2220596	1	ELBOW, 90 DEGREES	
16	7300214	2	TUBE ASSY	
17	2220373	6	STRAIGHT CONNECTOR	
18	2713452	2	BOOM HOSE ASSY	
19	2716684	4	HOSE ASSY	
20	2716767	2	HOSE ASSY	
21		Ref	SLAVE CYLINDER, (see Figure 9-6 for details)	
22	8769128	3	TWIN COVER PLATE	
23	8760463	2	BULKHEAD LOCKNUT	
24		Ref	MAIN CONTROL VALVE, (see Figure 9-8 for details)	
25	2220474	1	ELBOW, 90 DEGREES	
26	8750027	3	TWIN CLAMP SET, .84 IN DIA	
27	2716714	2	HOSE ASSY	
28		Ref	ATTACHMENT TILT CYLINDER, (see Figure 9-4 for details)	
29		Ref	CLAMP & HARDWARE, (see Figure 8-2 for details)	
30	7139504	1	LH BULKHEAD PLATE	
31	7139505	1	RH BULKHEAD PLATE	
32	8310009	7	HEX HD CAPSCREW, 5/16-18X2.00	

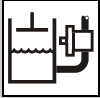
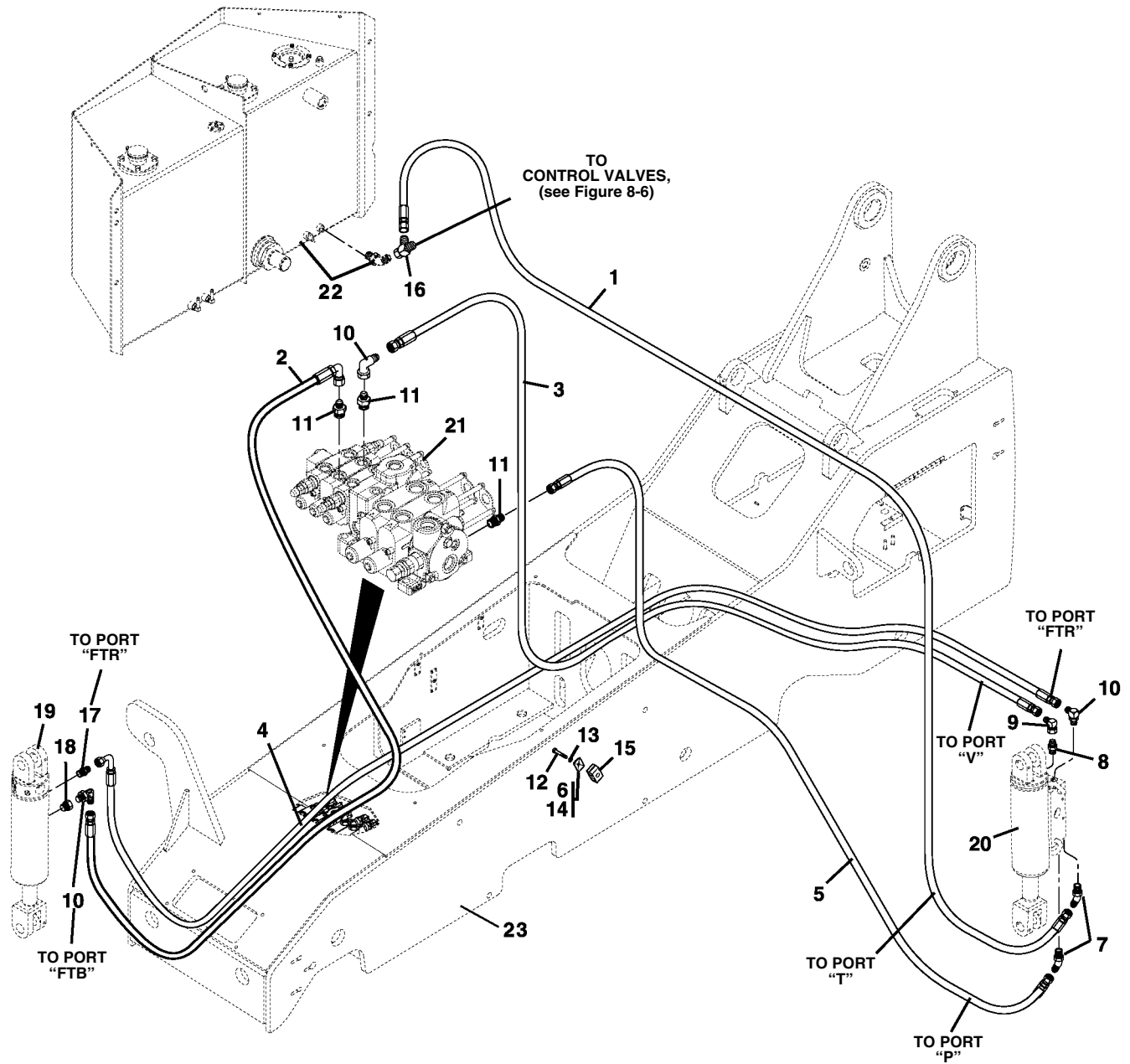


Figure 8-4 Frame Sway



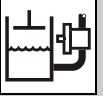


Figure 8-4 Frame Sway

Item	Part Number	Qty.	Description	Rev.
1	2717022	1	HOSE ASSY	
2	2716764	1	HOSE ASSY	
3	2717020	1	HOSE ASSY	
4	2717019	1	HOSE ASSY	
5	2717021	1	HOSE ASSY	
6	8750017	1	LOCKING PLATE	
7	2220501	2	ELBOW, 45 DEGREES	
8	2220371	1	STRAIGHT CONNECTOR	
9	2220473	1	ELBOW, 90 DEGREES	
10	8760268	3	ELBOW, 90 DEGREES, (swivel nut)	
11	2220372	3	STRAIGHT CONNECTOR	
12	8303264	1	HEX HD CAPSCREW, .438-14X1.50, GR8	
13	8307004	1	LOCKWASHER, 5/16	
14	8769128	1	TWIN COVER PLATE	
15	8750027	1	TWIN CLAMP SET, .84 IN DIA	
16		Ref	FEMALE SWIVEL RUN TEE, (see Figure 8-6 for details)	
17	8902857	1	CONNECTOR SPECIAL WITH CHECK VALVE	
18	8902858	1	CONNECTOR SPECIAL WITH CHECK VALVE, (1 black wrench face)	
19		Ref	FRAME SWAY CYLINDER, (see Figure 9-3 for details)	
20		Ref	STABILIZER CYLINDER, (see Figure 9-5 for details)	
21		Ref	MAIN CONTROL VALVE, (see Figure 9-8 for details)	
22		Ref	FUEL & HYDRAULIC TANK, (see Figure 9-10 for details)	
23		Ref	FRAME WELDMENT, (see Figure 1-1 for details)	

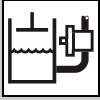
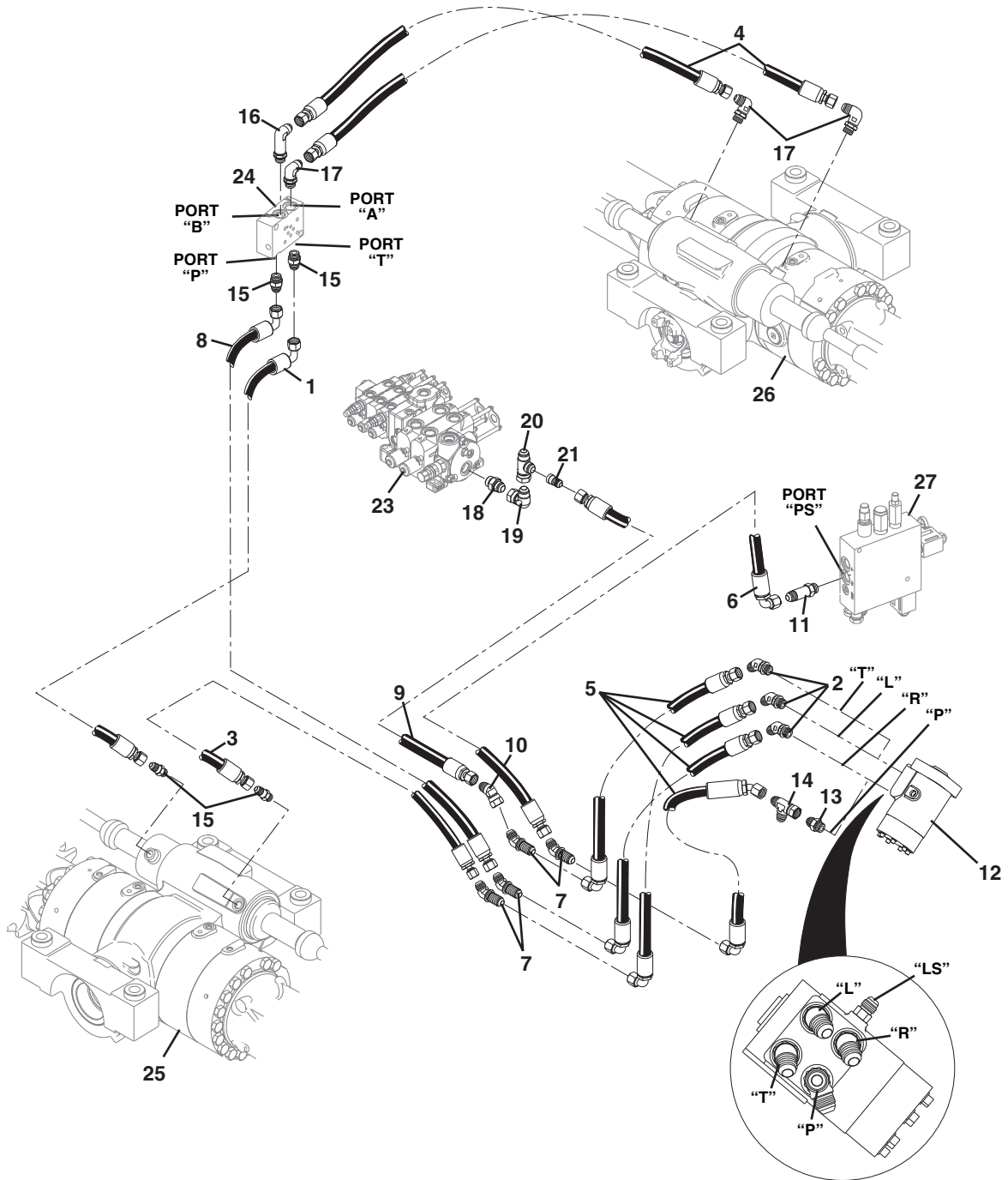


Figure 8-5 Power Steering



PA4041

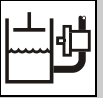
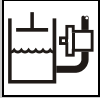


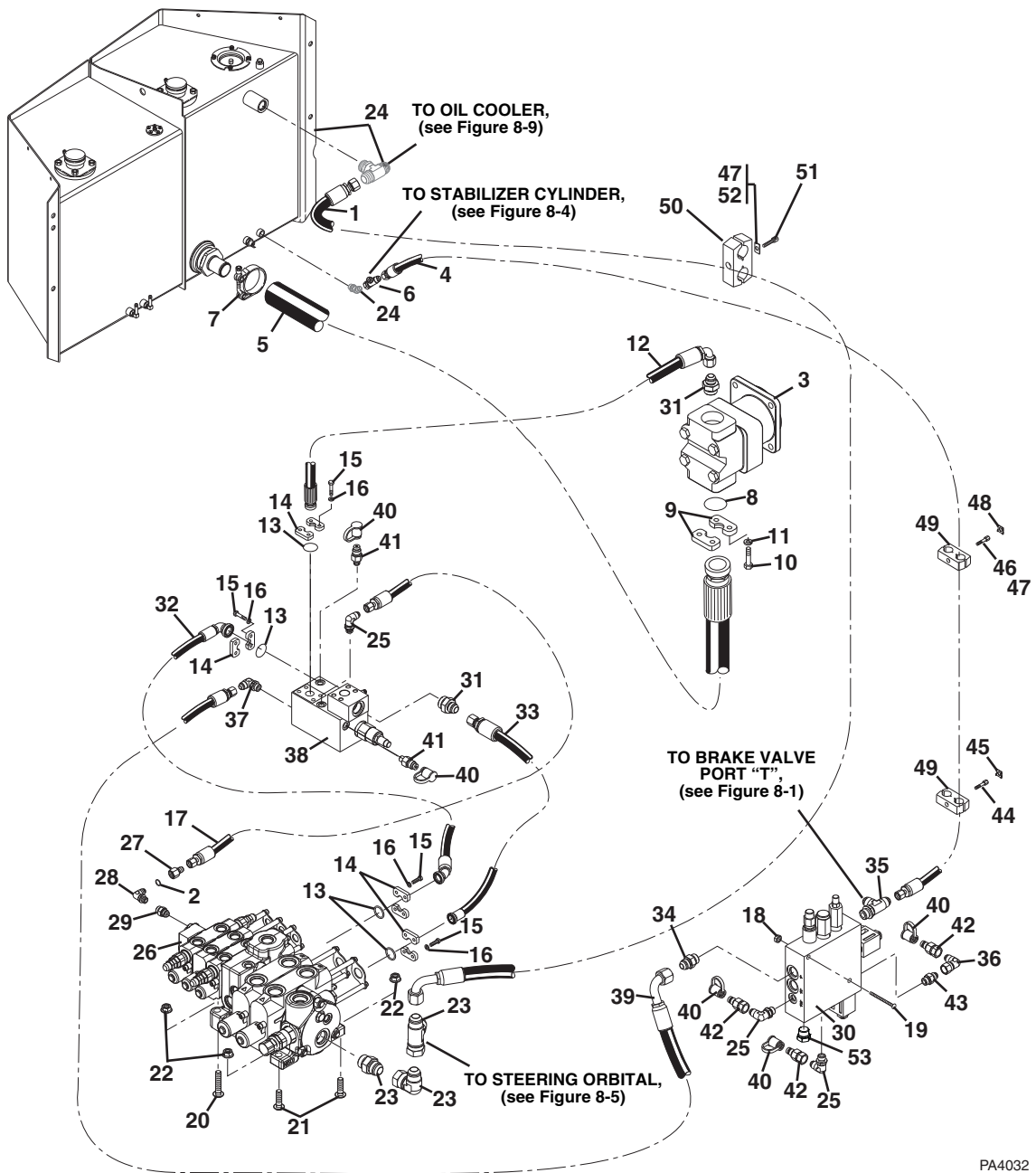
Figure 8-5 Power Steering

Item	Part Number	Qty.	Description	Rev.
1	2716776	1	HOSE ASSY	
2	2220500	3	ELBOW, 45 DEGREES	
3	2716775	1	HOSE ASSY	
4	2716673	2	HOSE ASSY	
5	2716696	4	HOSE ASSY	
6	2716769	1	HOSE ASSY	
7	8760237	4	BULKHEAD ELBOW, 45 DEGREES	
8	2716773	1	HOSE ASSY	
9	2716772	1	HOSE ASSY	
10	2220683	1	ELBOW, 45 DEGREES, (swivel nut)	
11	2220381	1	CONNECTOR	
12	8721029	1	STEERING UNIT	
13	8760140	1	MALE CONNECTOR	
14	2220385	1	FEMALE SWIVEL RUN TEE	
15	2220373	4	STRAIGHT CONNECTOR	
16	2220474	1	ELBOW, 90 DEGREES	
17	2220596	3	ELBOW, 90 DEGREES	
18	8770173	1	CONNECTOR	
19	2220655	1	ELBOW, 90 DEGREES, (swivel nut)	
20	2220700	1	FEMALE SWIVEL RUN TEE	
21	2220622	1	TUBE END REDUCER	
23		Ref	MAIN CONTROL VALVE, (see Figure 9-8 for details)	
24		Ref	STEER SELECT VALVE, (see Figure 9-9 for details)	
25		Ref	FRONT AXLE, (see Figure 5-1 for details)	
26		Ref	REAR AXLE, (see Figure 5-10 for details)	
27		Ref	SECONDARY FUNCTION MANIFOLD, (see Figure 9-9 for details)	



# HYDRAULIC CIRCUITS

## Figure 8-6 Control Valves



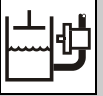
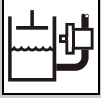


Figure 8-6 Control Valves

Item	Part Number	Qty.	Description	Rev.
1	2716783	1	HOSE ASSY	
2	8630003	1	O-RING	
3		Ref	GEAR PUMP, (see Figure 9-7 for details)	
4	2716774	1	HOSE ASSY	
5	2716808	1	HOSE ASSY	
6	2220385	1	FEMALE SWIVEL RUN TEE	
7	8405209	1	HOSE CLAMP	
8	8640208	1	O-RING	
9	10717672	2	FLANGE HALF	
10	8303626	4	HEX HD CAPSCREW, 1/2-13X1.5, (torque to 80-90 lb-ft)	
11	8307007	4	LOCKWASHER, 1/2	
12	2716780	1	HOSE ASSY	
13	8640123	4	O-RING	
14	8530030	8	FLANGE HALF	
15	8303675	16	HEX HD CAPSCREW, 3/8-16X1.25, GR5, (torque to 33-37 lb-ft)	
16	8307005	16	LOCKWASHER, 3/8	
17	2717033	1	HOSE ASSY	
18	8310420	2	HEX FLANGE NUT, 5/16-18	
19	8310393	2	CARRIAGE BOLT, 5/16-18X2.75, GR2, (torque to 18.5-21 lb-ft)	
20	8310337	1	CARRIAGE BOLT, 1/2-13X2.5, (torque to 33-59 lb-ft)	
21	8310524	2	CARRIAGE BOLT, 1/2-13X1.75, (torque to 33-59 lb-ft)	
22	8310523	3	HEX FLANGE NUT, 1/2-13	
23		Ref	MAIN CONTROL VALVE HARDWARE, (see Figure 8-5 for details)	
24		Ref	HYDRAULIC RESERVOIR, (see Figure 9-10 for details)	
25	2220473	3	ELBOW, 90 DEGREES	
26		Ref	MAIN CONTROL VALVE ASSY, (see Figure 9-8 for details)	
27	7139993	1	RESTRICTOR CHECK VALVE	
28	2172106	1	ELBOW, 90 DEGREES, (swivel nut)	
29	2110606	1	STRAIGHT CONNECTOR	
30		Ref	SECONDARY FUNCTION MANIFOLD, (see Figure 9-9 for details)	
31	2220435	2	STRAIGHT CONNECTOR	
32	2716781	1	HOSE ASSY	
33	2716807	1	HOSE ASSY	
34	2220373	1	STRAIGHT CONNECTOR	
35	2220602	1	MALE RUN TEE, (see Figure 8-1 for details)	
36	8760268	1	ELBOW, 90 DEGREES, (swivel nut)	
37	2220596	1	ELBOW, 90 DEGREES	
38		Ref	UNLOADER VALVE ASSY, (see Figure 9-9 for details)	
39	2716771	1	HOSE ASSY	
40	8430032	5	DUST PLUG	
41	8430033	2	DIAGNOSTIC NIPPLE	
42	8430046	3	DIAGNOSTIC NIPPLE	
43	2220371	1	STRAIGHT CONNECTOR	
44	8750012	1	STACKING BOLT, (torque to 7.5-13.5 lb-ft)	
45	8750017	1	TWIN CLAMP PLATE LOCKING	
46	8310009	1	HEX HD CAPSCREW, 5/16-18X2, (torque to 11.6-21 lb-ft)	
47	8307004	2	LOCKWASHER, 5/16	
48	8769128	1	TWIN COVER PLATE	
49	8750027	2	TWIN CLAMP SET, .84 DIA	



## HYDRAULIC CIRCUITS

**Figure 8-6 Control Valves (Continued)**

Item	Part Number	Qty.	Description	Rev.
50	8750040	1	CLAMP SET, 1.46 DIA	
51	8303757	1	HEX HD CAPSCREW, 5/16-18X2.5, (torque to 11.6-21 lb-ft)	
52	8750025	1	TWIN COVER PLATE	
53	2220238	1	PLUG	

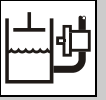


Figure 8-6 Control Valves (Continued)

Item	Part Number	Qty.	Description	Rev.

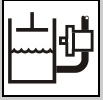
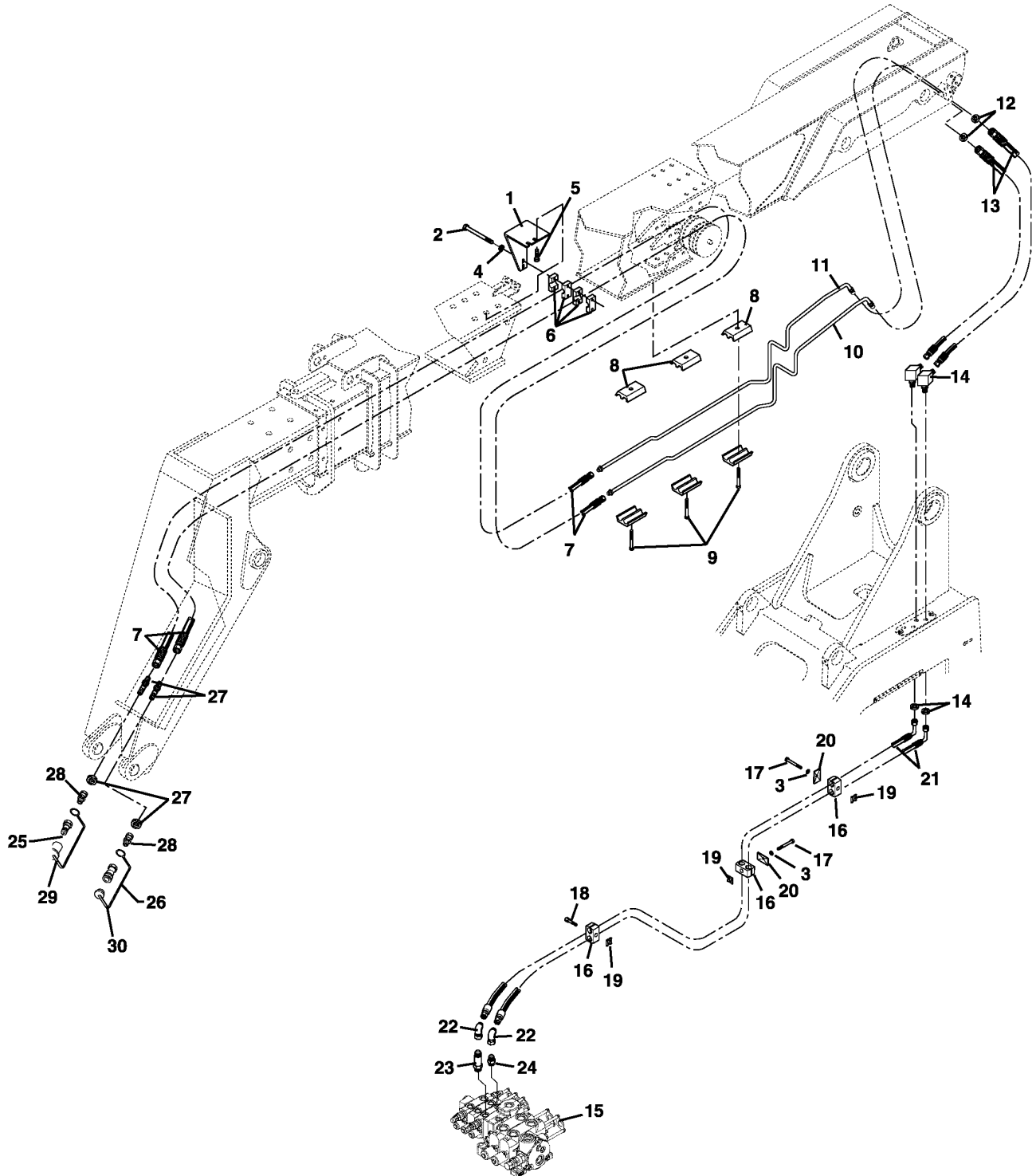


Figure 8-7 Auxiliary Hydraulic



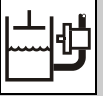
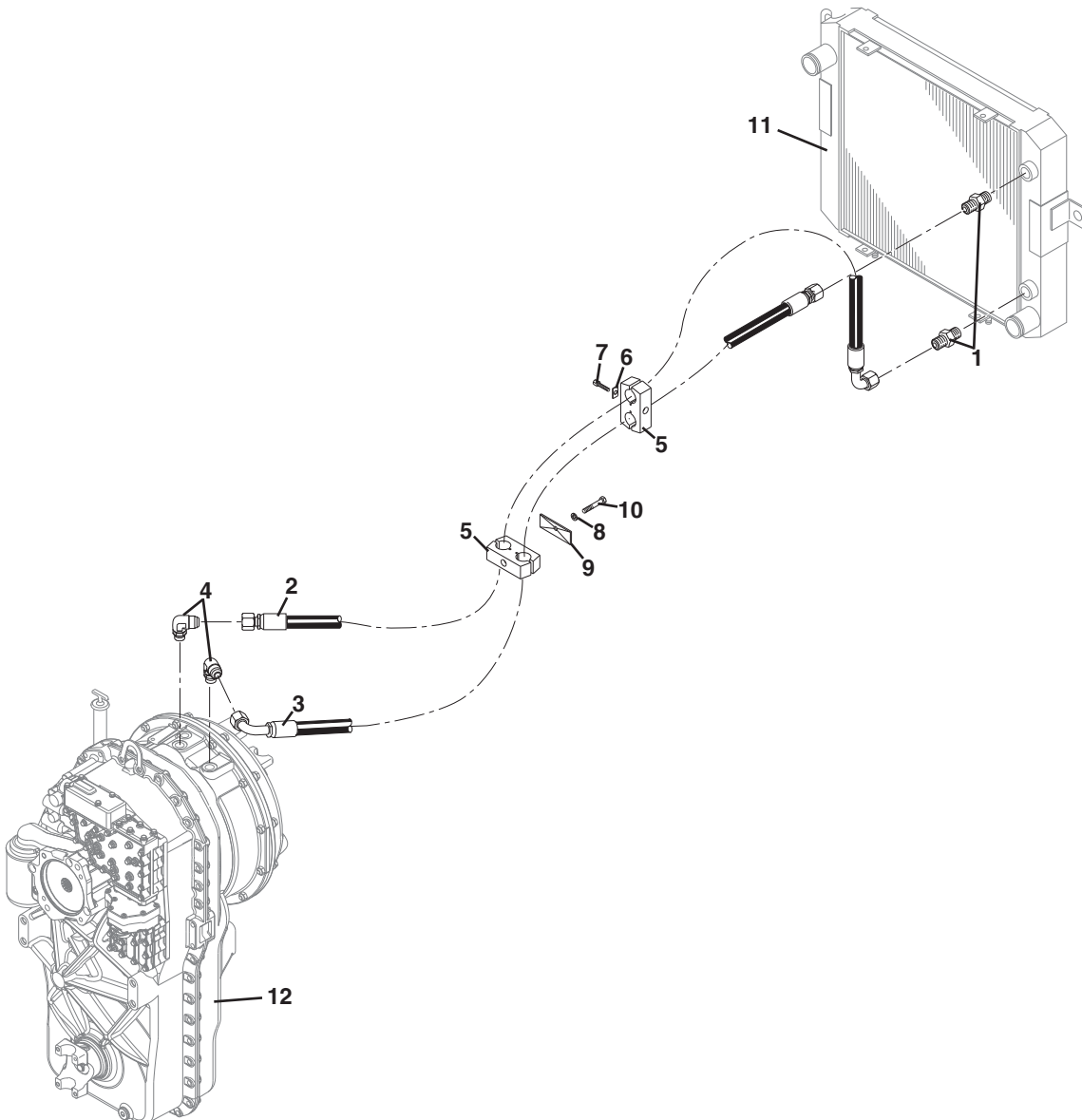


Figure 8-7 Auxiliary Hydraulic

Item	Part Number	Qty.	Description	Rev.
1	7111402	1	AUXILIARY HYDRAULIC SUPPORT HOSE CLAMP	
2	8310081	2	HEX HD CAPSCREW, 5/16-18X5	
3	8307004	8	LOCKWASHER, 5/16	
4	8307203	2	FLAT WASHER, 5/16	
5	8303622	2	HEX HD CAPSCREW, 3/8-16X2, GR5	
6	8769161	2	SINGLE CLAMP, .75 ID	
7	2713082	2	HOSE ASSY	
8	8769122	3	TWIN CLAMP, .62 ID, (two halves)	
9	8750011	3	STACKING BOLT, .3125	
10	7300675	1	TUBE ASSY	
11	7300674	1	TUBE ASSY	
12	8760465	2	BULKHEAD NUT, 10FF	
13	2716713	2	HOSE ASSY	
14	2230044	2	BULKHEAD ELBOW, 90 DEGREES	
15		Ref	MAIN CONTROL VALVE, (see Figure 9-8 for details)	
16	8750027	3	TWIN CLAMP SET, .84 DIA	
17	8310009	2	HEX HD CAPSCREW, 5/16-18X2	
18	8750012	1	STACKING BOLT	
19	8750017	3	SAFETY LOCK SINGLE PLATE	
20	8769128	2	TWIN COVER PLATE	
21	2716768	2	HOSE ASSY	
22	8765204	2	ELBOW, 90 DEGREES, (swivel nut)	
23	2220381	1	CONNECTOR	
24	2220373	1	STRAIGHT CONNECTOR	
25	91403414	1	MALE QUICK DISCONNECT	
26	91403413	1	FEMALE QUICK DISCONNECT	
27	2230025	2	BULKHEAD STRAIGHT UNION	
28	2220651	2	STRAIGHT CONNECTOR	
29	8420053	1	DUST PLUG, #8	
30	8420055	1	DUST CAP, #8	



Figure 8-8 Transmission Cooler



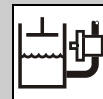


Figure 8-8 Transmission Cooler

Item	Part Number	Qty.	Description	Rev.
1	2220451	2	STRAIGHT CONNECTOR	
2	2716622	1	HOSE ASSY	
3	2716621	1	HOSE ASSY	
4	8760328	2	ELBOW, 90 DEGREES	
5	8750024	2	TWIN CLAMP SET	
6	8750017	1	TWIN CLAMP LOCKING PLATE	
7	8750026	1	STACKING BOLT	
8	8307004	1	LOCKWASHER, 5/16	
9	8750025	1	TWIN COVER PLATE	
10	8303757	1	HEX HD CAPSCREW, 5/16-18X2.5	
11		Ref	OIL COOLER, (see Figure 4-3 for details)	
12		Ref	TRANSMISSION, (see Figure 5-18 for details)	

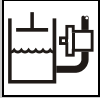
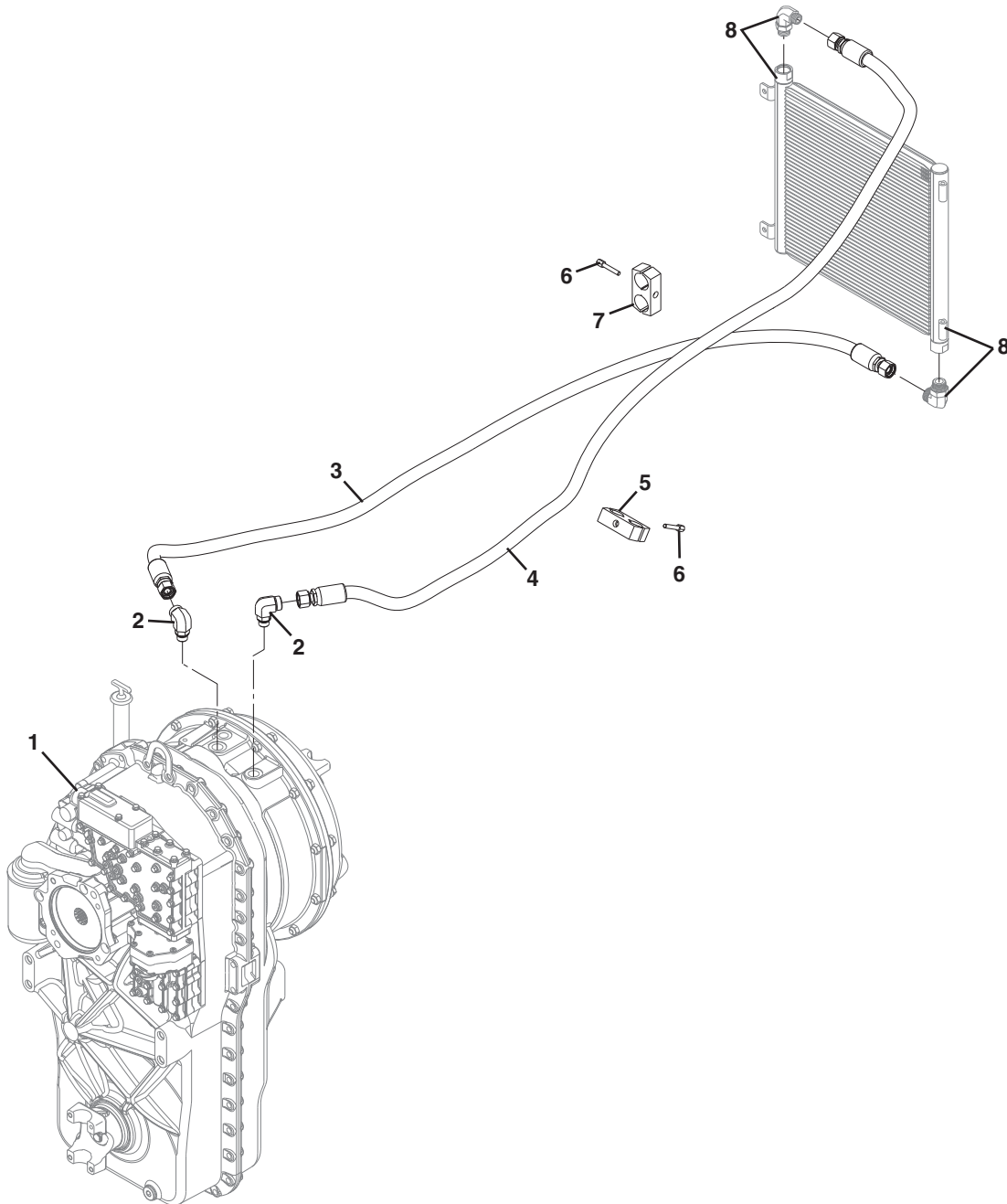


Figure 8-8 Transmission Cooler

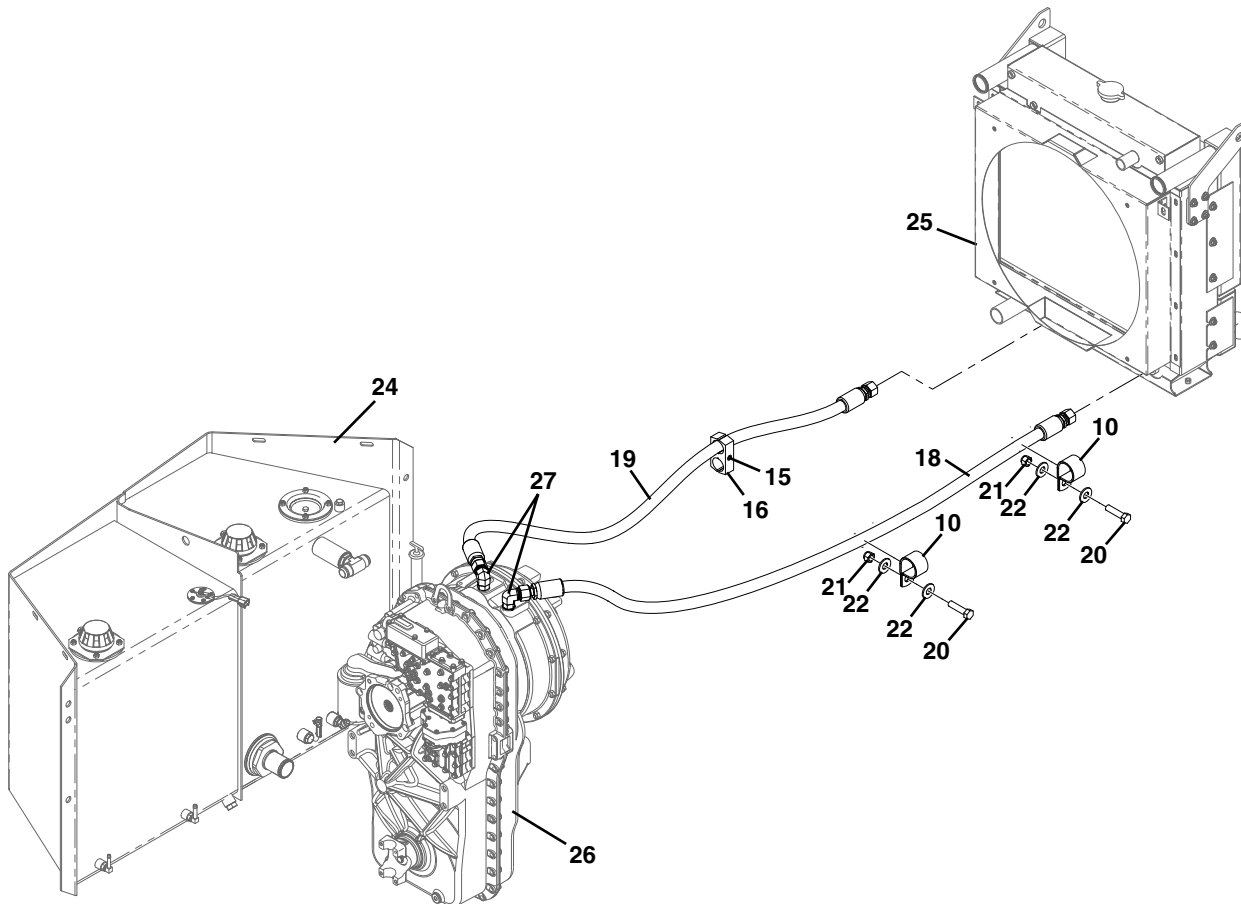


**Figure 8-8 Transmission Cooler**

Item	Part Number	Qty.	Description	Rev.
1		Ref	ZF TRANSMISSION, (see Figure 5-18 for details)	
2	2131210	2	ELBOW, 90 DEGREES	
3	2717150	1	HOSE ASSY	
4	2717149	1	HOSE ASSY	
5	8750024	1	CLAMP SET, 1.18 DIA, <b>(S/N 0160004111 thru 0160032089)</b>	
	8750040	1	CLAMP SET, 1.46 DIA, <b>(S/N 0160032090 &amp; After)</b>	
6	8750026	2	STACKING BOLT	
7	8750040	1	CLAMP SET, 1.46 DIA	
8		Ref	TRANSMISSION OIL COOLER, (see Figure 4-3 for details)	



Figure 8-8 Transmission Cooler



PAP9300

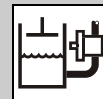
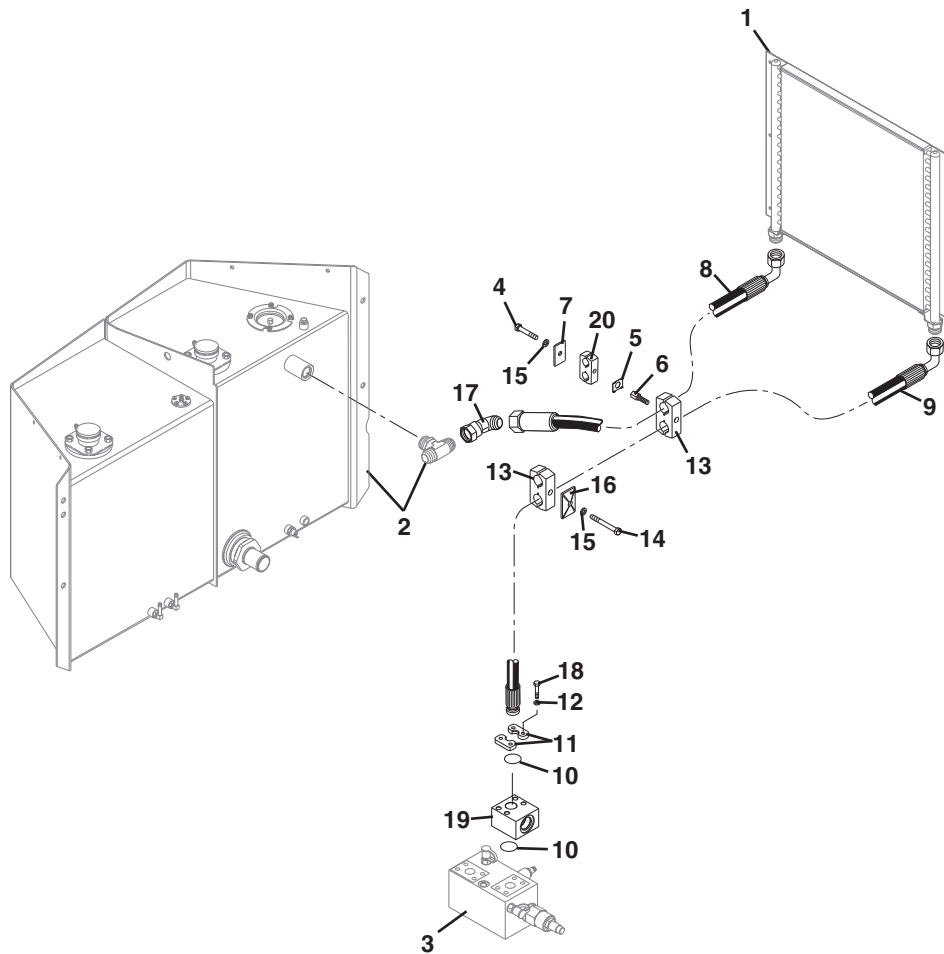


Figure 8-8 Transmission Cooler

Item	Part Number	Qty.	Description	Rev.
	1001100220	1	TRANSMISSION COOLER, (includes items 10 thru 22)	D
10		Ref	CLAMP, (see Figure 8-9 for details)	
15	8750026	1	STACK BOLT	
16	8750040	1	CLAMP SET	
18	1001100222	1	HOSE ASSY	
19	1001100223	1	HOSE ASSY	
20	0641612	2	HEX HD CAPSCREW, 3/8-16X1-1/2, GR5	
21	8305645	2	HEX LOCKNUT, 3/8-16	
22	8310200	4	WASHER, 3/8	
24		Ref	FUEL/HYDRAULIC TANK ASSY, (see Figure 9-9 for details)	
25		Ref	RADIATOR, (see Figure 4-3 for details)	
26		Ref	ZF TRANSMISSION, (see Figure 5-18 for details)	
27	2131210	2	ELBOW, 90 DEGREES	



Figure 8-9 Oil Cooler



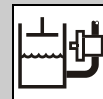


Figure 8-9 Oil Cooler

Item	Part Number	Qty.	Description	Rev.
1		Ref	OIL COOLER, (see Figure 4-3 for details)	
2		Ref	HYDRAULIC TANK, (see Figure 9-10 for details)	
3		Ref	UNLOADER VALVE, (see Figure 9-9 for details)	
4	8303264	1	HEX HD CAPSCREW, .438-14X1.50, GR8	
5	8750017	1	LOCKING PLATE	
6	8750026	1	STACKING BOLT	
7	8769123	1	TWIN COVER PLATE	
8	2716786	1	HOSE ASSY	
9	2716779	1	HOSE ASSY	
10	8640123	2	O-RING	
11	8530030	2	FLANGE HALF, 16	
12	8307005	4	LOCKWASHER, 3/8	
13	8750040	2	TWIN CLAMP SET, 1.18 DIA	
14	8303757	1	HEX HD CAPSCREW, 5/16-18X2.5	
15	8307004	2	LOCKWASHER, 5/16	
16	8750025	1	TWIN COVER PLATE	
17	8760273	1	ELBOW, 45 DEGREES, (swivel nut)	
18	8303107	4	HEX HD CAPSCREW, 3/8-16X3.25, GR5	
19	7139788	1	BLOCK MANIFOLD	
20	8750015	1	TWIN CLAMP SET, .67 DIA	

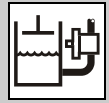
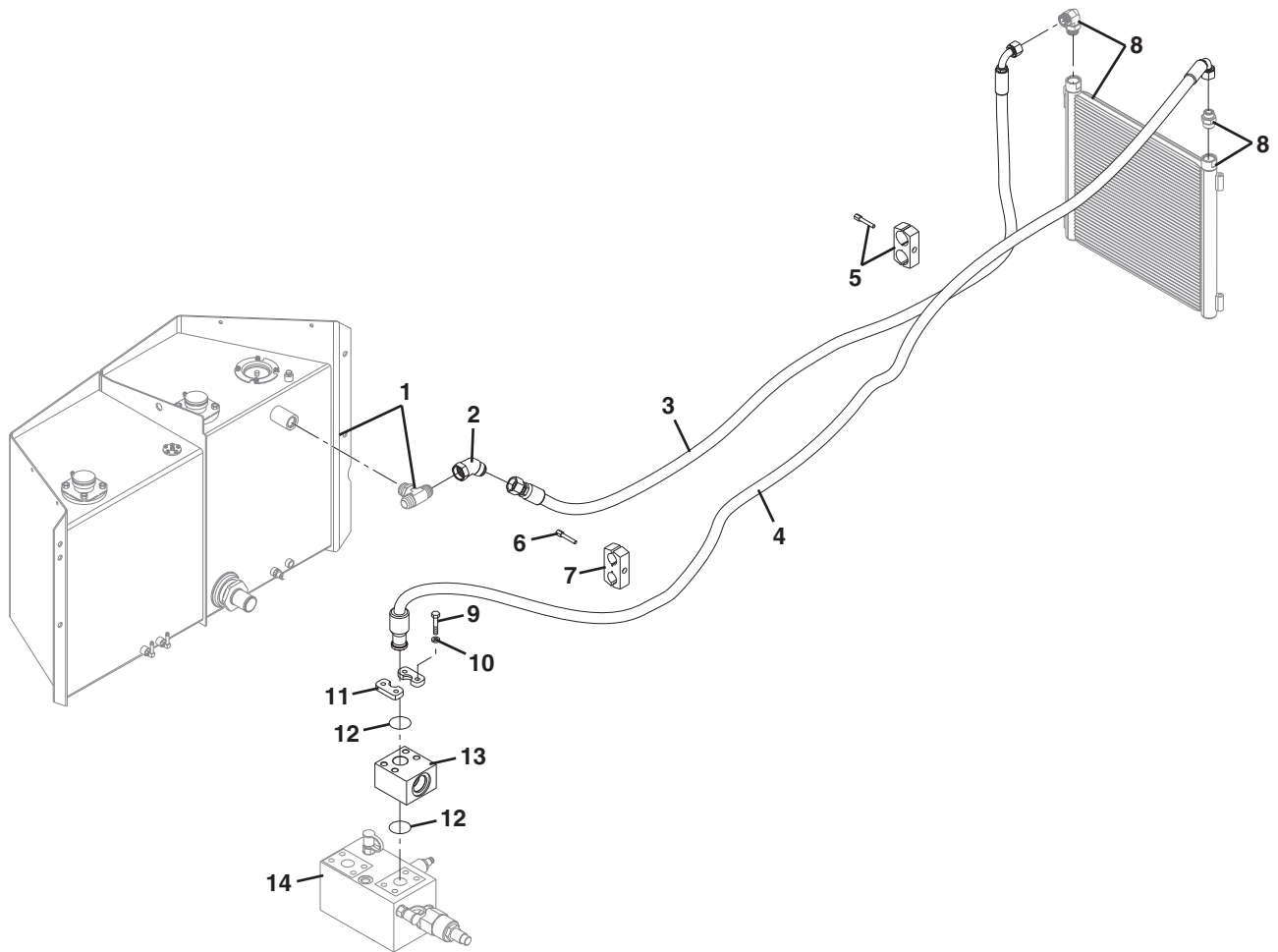


Figure 8-9 Oil Cooler



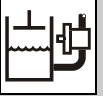
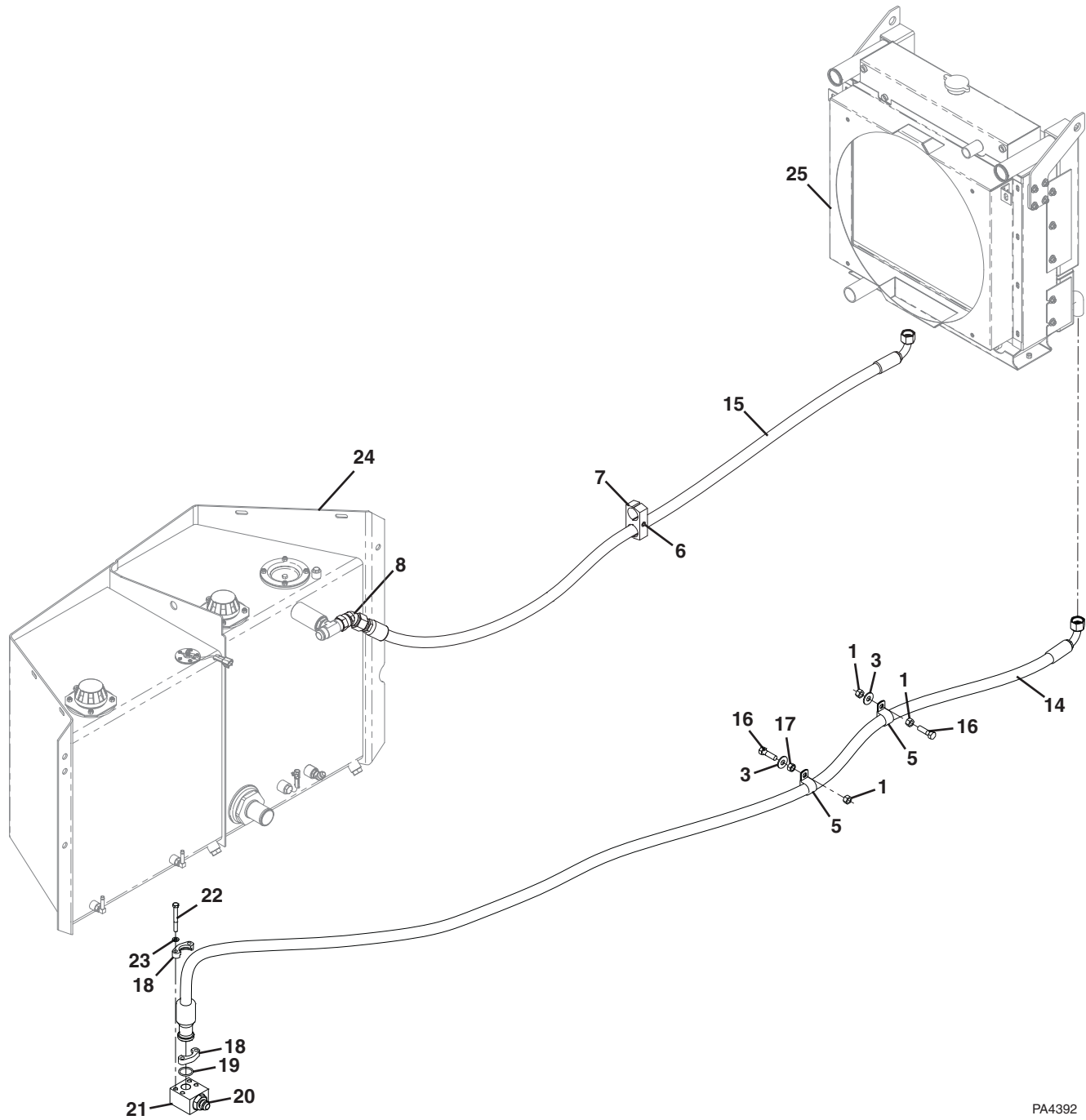


Figure 8-9 Oil Cooler

Item	Part Number	Qty.	Description	Rev.
1		Ref	FUEL/HYDRAULIC TANK ASSY, (see Figure 9-10 for details)	
2	8760273	1	ELBOW, 45 DEGREES, (swivel nut)	
3	2717159	1	HOSE ASSY	
4	2717158	1	HOSE ASSY	
5		Ref	CLAMP & HARDWARE, (see Figure 8-8 S/N 0160004111 & After for details)	
6	8750026	1	STACKING BOLT	
7	8750024	1	CLAMP SET, 1.18 DIA, (S/N 0160004111 thru 0160032089)	
	8750040	1	CLAMP SET, 1.46 DIA, (S/N 0160032090 & After)	
8		Ref	OIL COOLER, (see Figure 4-3 for details)	
9	8303107	4	HEX HD CAPSCREW, 3/8-16X3-1/4, GR5	
10	8307005	4	LOCKWASHER, 3/8	
11	8530030	2	FLANGE HALF	
12	8640123	2	O-RING	
13	7139788	1	BLOCK MANIFOLD	
14		Ref	UNLOADER VALVE, (see Figure 9-9 for details)	



Figure 8-9 Oil Cooler



PA4392

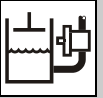
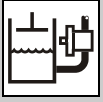


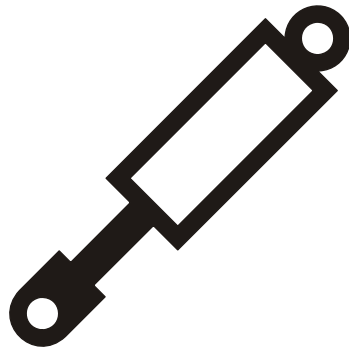
Figure 8-9 Oil Cooler

Item	Part Number	Qty.	Description	Rev.
	1001099246	1	OIL COOLER, (includes items 1 thru 23)	C
1	3311805	3	LOCKNUT, 1/2-13	
3	4751800	2	WASHER, 1/2	
5	8406302	2	CLAMP	
8	8760273	1	ELBOW, 45 DEGREES	
14	1001100215	1	HOSE ASSY	
15	1001100216	1	HOSE ASSY	
16	0641814	2	HEX HD CAPSCREW, 1/2-13X1-3/4, GR5	
17	8310456	1	HEX NUT, 1/2-13	
18	8530030	2	FLANGE	
19	8640123	1	O-RING	
20	2220435	1	CONNECTOR	
21	7139788	1	MANIFOLD BLOCK	
22	8303107	4	HEX HD CAPSCREW, 3/8-16X3-1/4, GR5	
23	8307005	4	LOCKWASHER, 3/8	
24		Ref	FUEL/HYDRAULIC TANK ASSY, (see Figure 9-9 for details)	
25		Ref	RADIATOR, (see Figure 4-3 for details)	



**This Page Intentionally Left Blank**

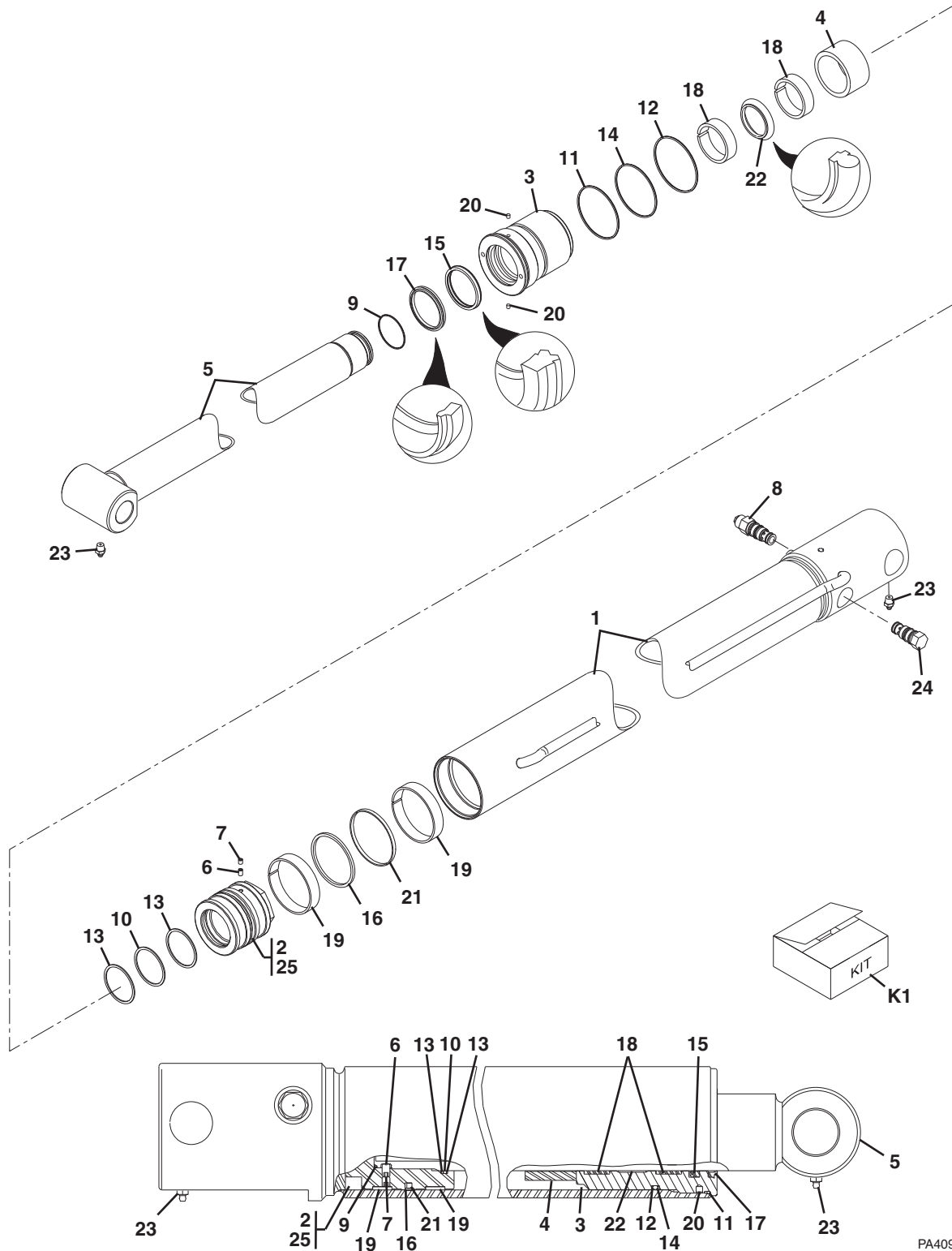
# SECTION 9 HYDRAULIC COMPONENTS





# HYDRAULIC COMPONENTS

## Figure 9-1 Boom Extend/Retract Cylinder



PA4091

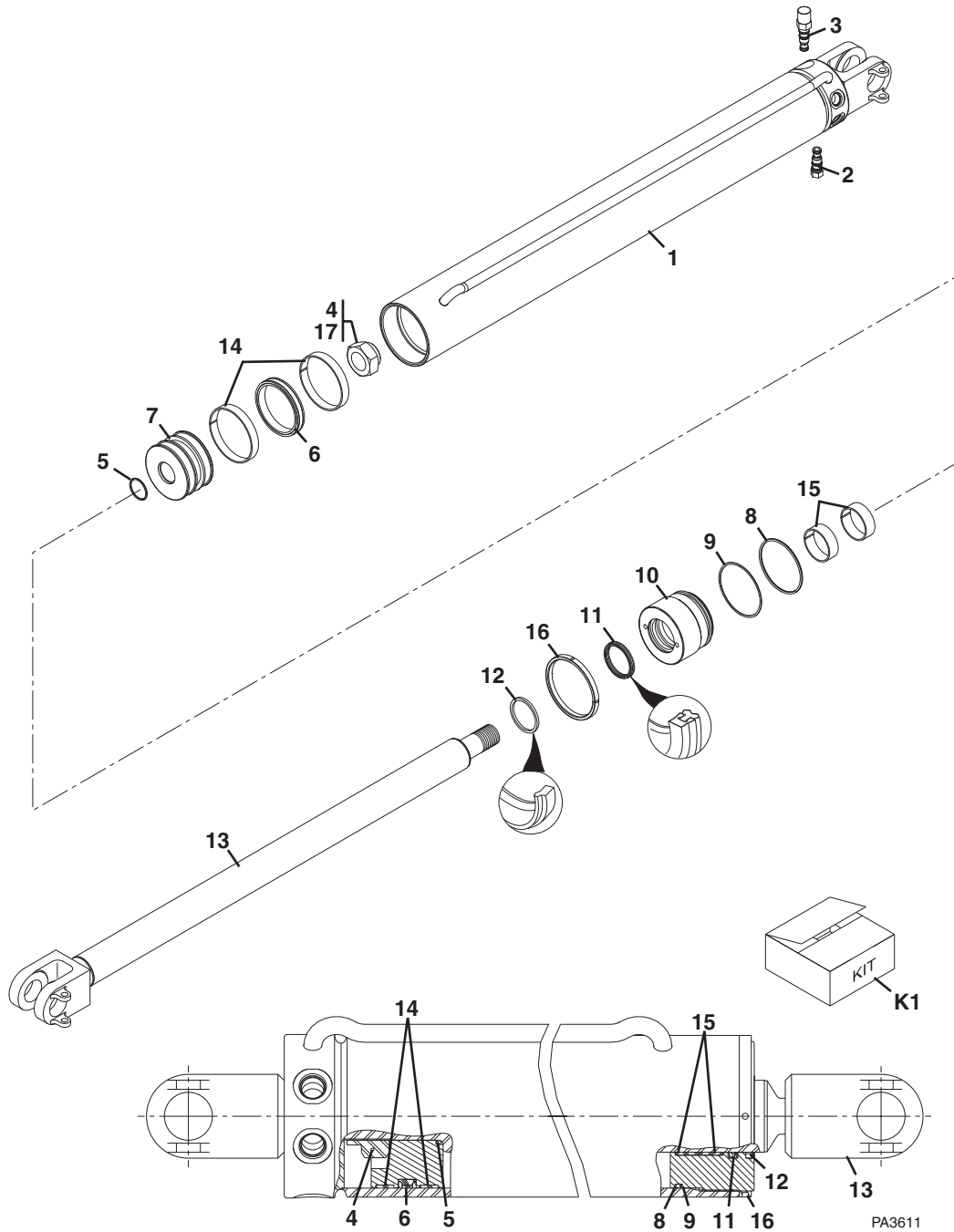


Figure 9-1 Boom Extend/Retract Cylinder

Item	Part Number	Qty.	Description	Rev.
	2717008	1	BOOM EXTEND/RETRACT CYLINDER, (includes items 1 thru 24)	E
1	70020369	1	CYLINDER TUBE	
2	8036402	1	PISTON, (torque to 330-390 lb-ft)	
3	8036403	1	HEAD GLAND, (torque to 300-400 lb-ft)	
4	8036498	1	ROD SPACER	
5	8036499	1	WELDMENT ROD	
6	8035536	1	SETSCREW, 5/16-18X.50, (Loctite® 243™ & torque to 10-26 lb-ft)	
7	8036406	1	SETSCREW, 5/16-18X.38, (Loctite® 243™ & torque to 10-12 lb-ft)	
8	8036590	1	COUNTERBALANCE VALVE - NON-ADJUSTABLE SET AT 4,000 PSI, (torque to 40-50 lb-ft)	
	8205656	1	SEAL KIT	
9	Use Kit K1	1	O-RING	
10	Use Kit K1	1	O-RING	
11	Use Kit K1	1	O-RING	
12	Use Kit K1	1	O-RING	
13	Use Kit K1	2	BACK-UP RING	
14	Use Kit K1	1	BACK-UP RING	
15	Use Kit K1	1	WIPER SEAL	
16	Use Kit K1	1	PISTON SEAL	
17	Use Kit K1	1	WIPER SEAL	
18	Use Kit K1	2	WEARBAND	
19	Use Kit K1	2	WEARBAND	
20	Use Kit K1	2	LOCKING INSERT	
21	Use Kit K1	1	SQUARE RING	
22	Use Kit K1	1	BUFFER SEAL	
23	8520013	2	STRAIGHT GREASE FITTING	
24	8036229	1	PO CHECK VALVE, (torque to 40-50 lb-ft)	
	8205656	1	SEAL KIT	
25	0100019	AR	LOCTITE® 271™, (apply to item 2)	
K1	8036502	1	SEAL KIT, (includes items 9 thru 22)	



Figure 9-2 Boom Lift/Lower Cylinder



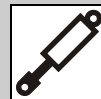


Figure 9-2 Boom Lift/Lower Cylinder

Item	Part Number	Qty.	Description	Rev.
	2717007	2	BOOM LIFT/LOWER CYLINDER, (includes items 1 thru 16)	B
1	70023141	1	CYLINDER TUBE	
2	8036393	1	PO CHECK VALVE	
	8205655	1	SEAL KIT	
3	8035321	1	COUNTERBALANCE VALVE, (4000 ± 50 PSI), (torque to 30-35 lb-ft)	
	8035327	1	SEAL KIT	
4	8036394	1	LOCKNUT, (torque to 1750-2000 lb-ft)	
5	Use Kit K1	1	O-RING	
6	Use Kit K1	1	CAPPED T-SEAL	
7	8036397	1	PISTON	
8	Use Kit K1	1	O-RING	
9	Use Kit K1	1	BACK-UP RING	
10	8036396	1	GLAND	
11	Use Kit K1	1	DEEP Z-SEAL	
12	Use Kit K1	1	WIPER SEAL	
13	8036489	1	WELDMENT ROD	
14	Use Kit K1	2	PRECISION WEARBAND	
15	Use Kit K1	2	PRECISION WEARBAND	
16	8036398	1	LOCKING COLLAR, (torque to 300-400 lb-ft)	
17	0100019	1	LOCTITE® 271™, (apply to item 4)	
K1	8036132	1	LIFT/LOWER CYLINDER SEAL KIT, (includes items 5, 6, 8, 9, 11, 12, 14 & 15)	
N1	Note	Ref	<b>QUANTITIES SHOWN ARE FOR ONE CYLINDER ONLY</b>	



Figure 9-2 Boom Lift/Lower Cylinder

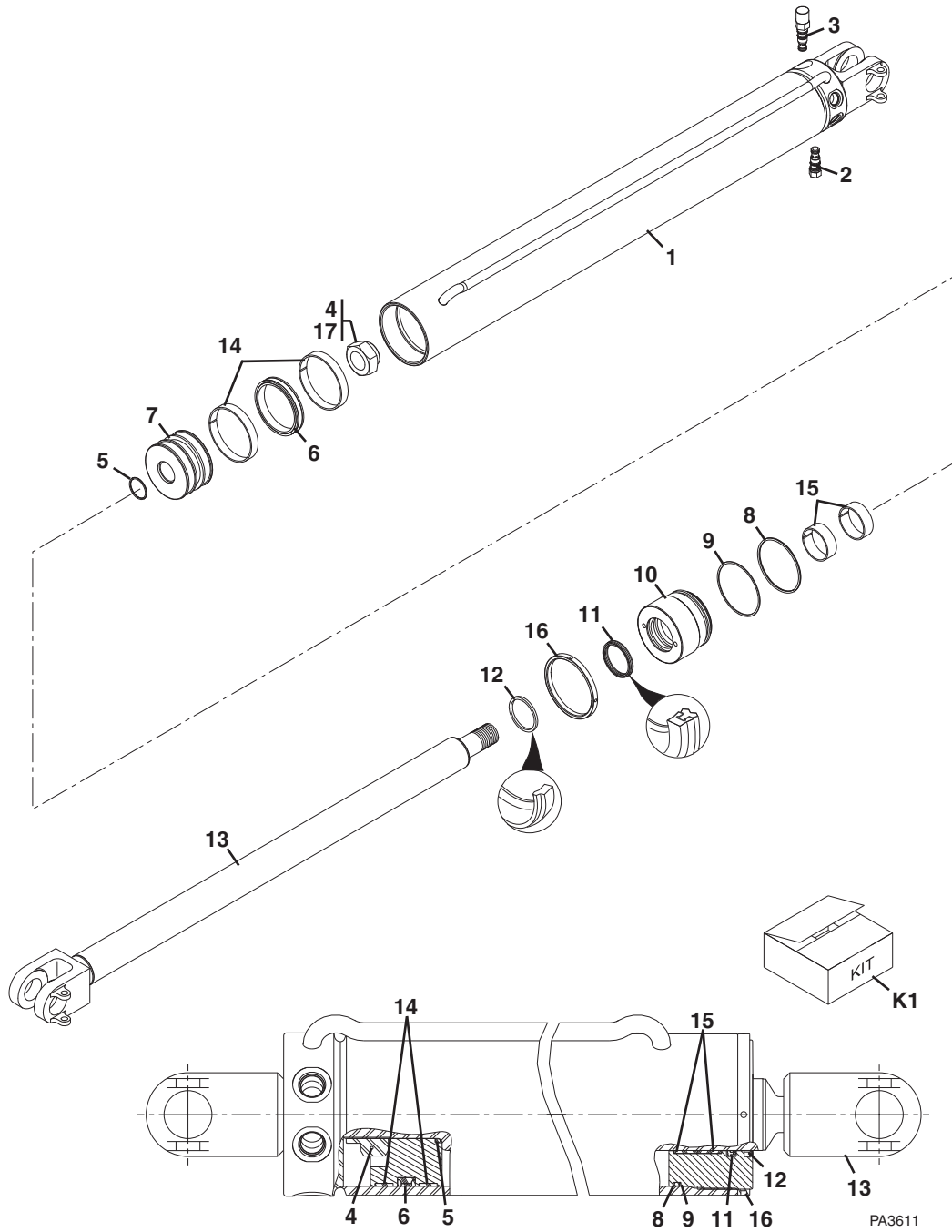




Figure 9-2 Boom Lift/Lower Cylinder

Item	Part Number	Qty.	Description	Rev.
	2717262	2	BOOM LIFT/LOWER CYLINDER, (S/N 0160003879 thru 0160015022), (includes items 1 thru 16)	D
	1684455	2	BOOM LIFT/LOWER CYLINDER, (S/N 0160013567 thru 0160027650), (includes items 1 thru 16)	C
1	NSS	1	CYLINDER TUBE	
2	8036750	1	PO CHECK VALVE, (torque to 30-35 lb-ft)	
	2900770	1	SEAL KIT	
3	8035321	1	COUNTERBALANCE VALVE, (4000 ± 50 PSI), (torque to 30-35 lb-ft)	
	8035327	1	SEAL KIT	
4	8036394	1	LOCKNUT, (torque to 1750-2000 lb-ft)	
5	Use Kit K1	1	O-RING	
6	Use Kit K1	1	CAPPED T-SEAL	
7	8036397	1	PISTON	
8	Use Kit K1	1	O-RING	
9	Use Kit K1	1	BACK-UP RING	
10	8036396	1	GLAND	
11	Use Kit K1	1	DEEP Z-SEAL	
12	Use Kit K1	1	WIPER SEAL	
13	8036489	1	WELDMENT ROD	
14	Use Kit K1	2	PRECISION WEARBAND	
15	Use Kit K1	2	PRECISION WEARBAND	
16	8036398	1	LOCKING COLLAR, (torque to 300-400 lb-ft)	
17	0100019	1	LOCTITE® 271™, (apply to item 4)	
K1	8036132	1	LIFT/LOWER CYLINDER SEAL KIT, (includes items 5, 6, 8, 9, 11, 12, 14 & 15)	
N1	Note	Ref	<b>QUANTITIES SHOWN ARE FOR ONE CYLINDER ONLY</b>	



Figure 9-2 Boom Lift/Lower Cylinder

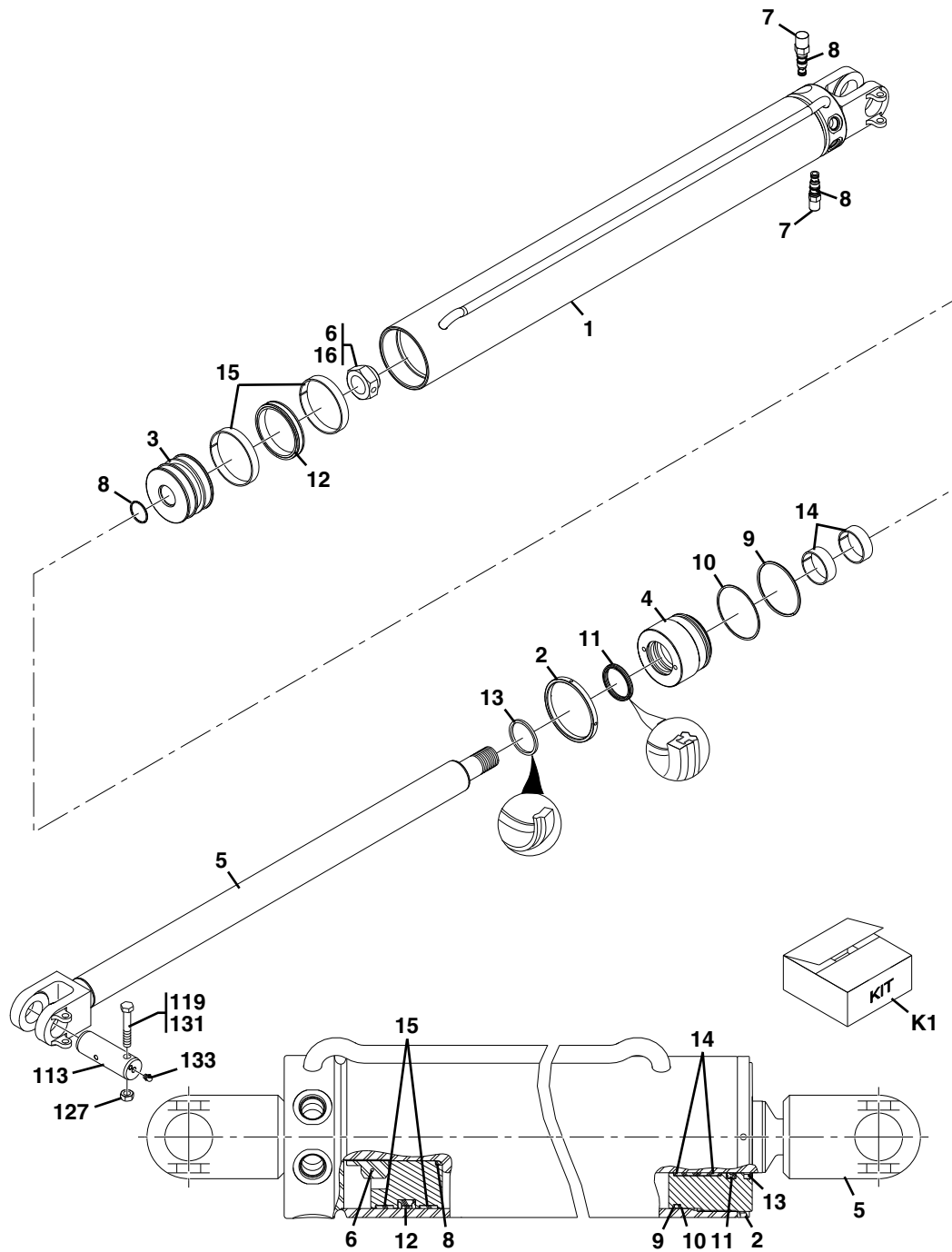




Figure 9-2 Boom Lift/Lower Cylinder

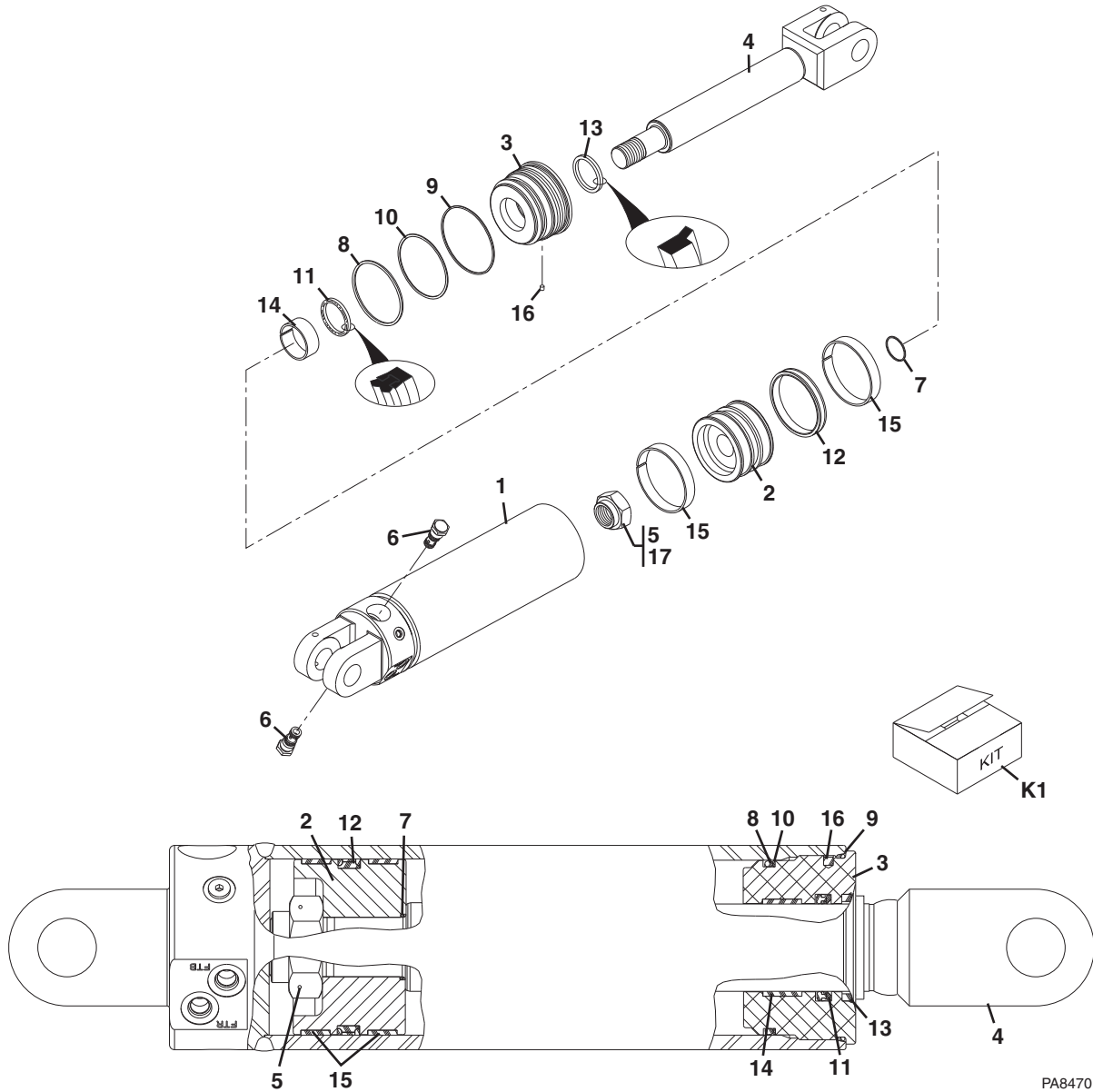
Item	Part Number	Qty.	Description	Rev.
	1684537	2	BOOM LIFT/LOWER CYLINDER, (includes items 1 thru 15)	A
1	NSS	1	CYLINDER TUBE	
2	8036398	1	LOCKING COLLAR, (torque to 300-400 lb-ft)	
3	8036397	1	PISTON	
4	8036396	1	GLAND	
5	8036489	1	WELDMENT ROD	
6	8036394	1	LOCKNUT, (torque to 1750-2000 lb-ft)	
7	8035321	2	COUNTERBALANCE VALVE, (4000 ± 50 PSI), (torque to 30-35 lb-ft)	
	8035327	1	SEAL KIT	
8	Use Kit K1	1	O-RING	
9	Use Kit K1	1	O-RING	
10	Use Kit K1	1	BACK-UP RING	
11	Use Kit K1	1	DEEP Z-SEAL	
12	Use Kit K1	1	CAPPED T-SEAL	
13	Use Kit K1	1	WIPER SEAL	
14	Use Kit K1	2	PRECISION WEARBAND	
15	Use Kit K1	2	PRECISION WEARBAND	
16	0100019	1	LOCTITE® 271™, (apply to item 6)	
113	3423227	1	CYLINDER PIN	
119	8303782	1	HEX HD CAPSCREW, 1/2-13X4, GR5	
127	8305644	1	HEX LOCKNUT, 1/2-13	
131	8522012	AR	ANTI-SEIZE LUBE	
133	8520003	1	LUBE FITTING, 90 DEGREES	
K1	8036132	1	LIFT/LOWER CYLINDER SEAL KIT, (includes items 8 thru 15)	
N1	Note	Ref	<b>QUANTITIES SHOWN ARE FOR ONE CYLINDER ONLY</b>	



HYDRAULIC COMPONENTS

S/N 17019 thru 19897  
& 0160002408 thru 0160003867

Figure 9-3 Frame Sway Cylinder



PA8470



Figure 9-3 Frame Sway Cylinder

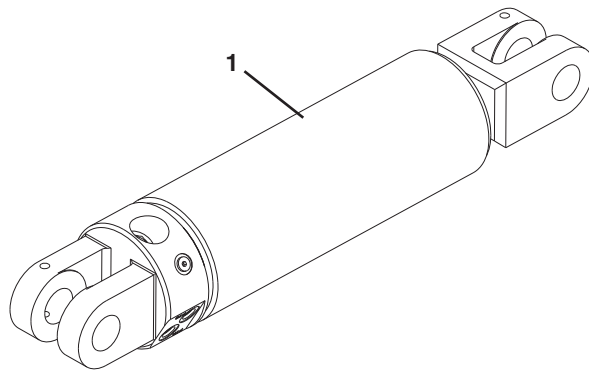
Item	Part Number	Qty.	Description	Rev.
	2716563	1	FRAME SWAY CYLINDER, (includes items 1 thru 16)	C
1	NSS	1	WELDMENT TUBE	
2	8035323	1	PISTON	
3	8035324	1	HEAD GLAND, (torque to 300-400 lb-ft)	
4	8035758	1	WELDMENT ROD	
5	8035322	1	HEX LOCKNUT, 1.50-12, (torque to 1100-1250 lb-ft)	
6	8035757	2	PO CHECK VALVE - SERIES 10, (torque to 35-40 lb-ft)	
	8035327	1	SEAL KIT	
7	Use Kit K1	1	O-RING	
8	Use Kit K1	1	O-RING	
9	Use Kit K1	1	O-RING	
10	Use Kit K1	1	BACK-UP RING	
11	Use Kit K1	1	DEEP Z-SEAL	
12	Use Kit K1	1	CAPPED T-SEAL	
13	Use Kit K1	1	WIPER SEAL	
14	Use Kit K1	1	PRECISION WEARBAND	
15	Use Kit K1	2	PRECISION WEARBAND	
16	Use Kit K1	1	LOCKING INSERT	
17	0100019	AR	LOCTITE® 271™, (apply to item 5)	
K1	8035326	1	FRAME SWAY CYLINDER SEAL KIT, (includes items 7 thru 16)	



**HYDRAULIC COMPONENTS**

**Figure 9-3 Frame Sway Cylinder**

---



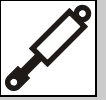
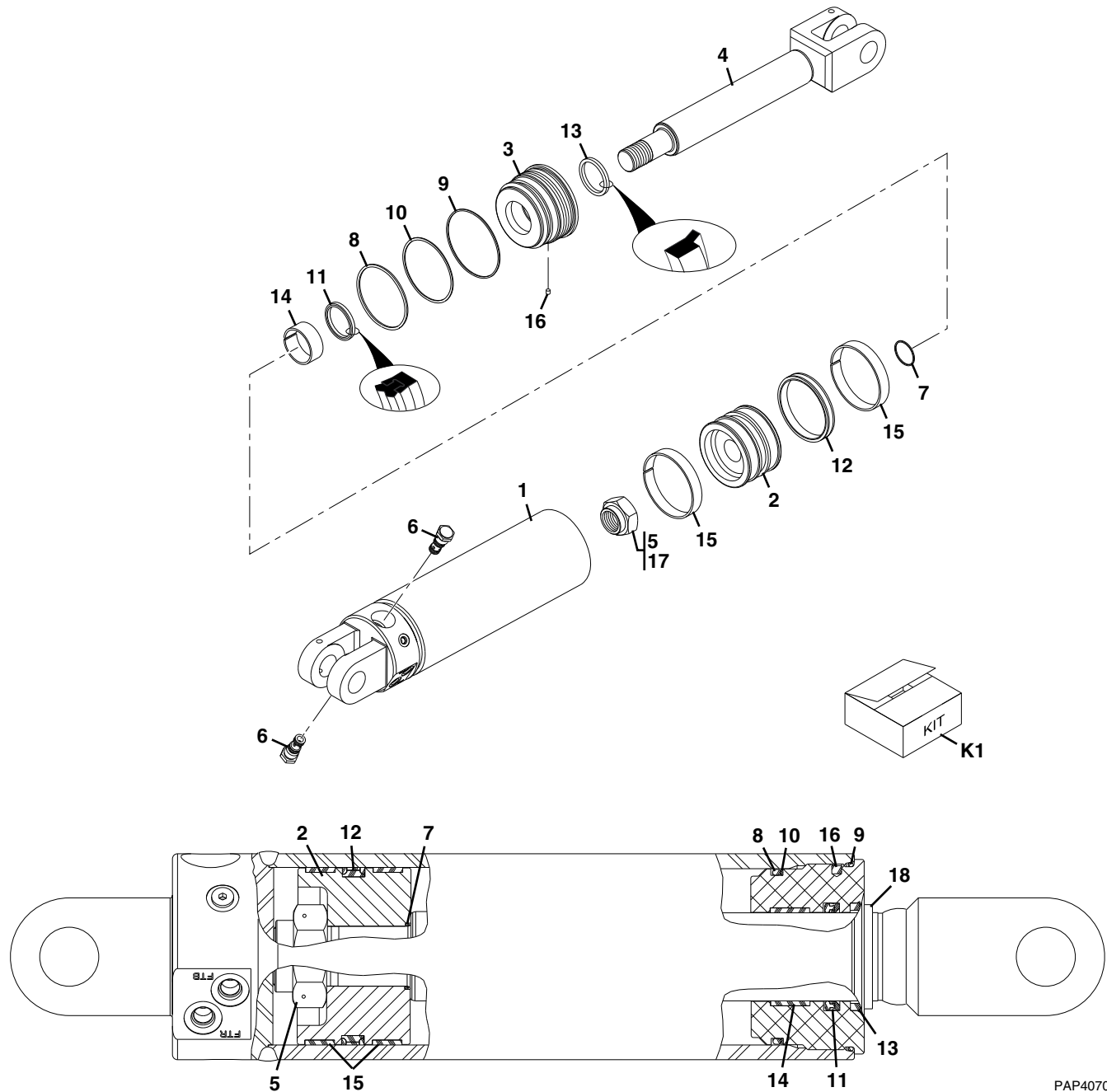


Figure 9-3 Frame Sway Cylinder

Item	Part Number	Qty.	Description	Rev.
1	2717216	1	FRAME SWAY CYLINDER, (no service parts available, use 2716563 for replacement)	B



Figure 9-3 Frame Sway Cylinder



PAP4070



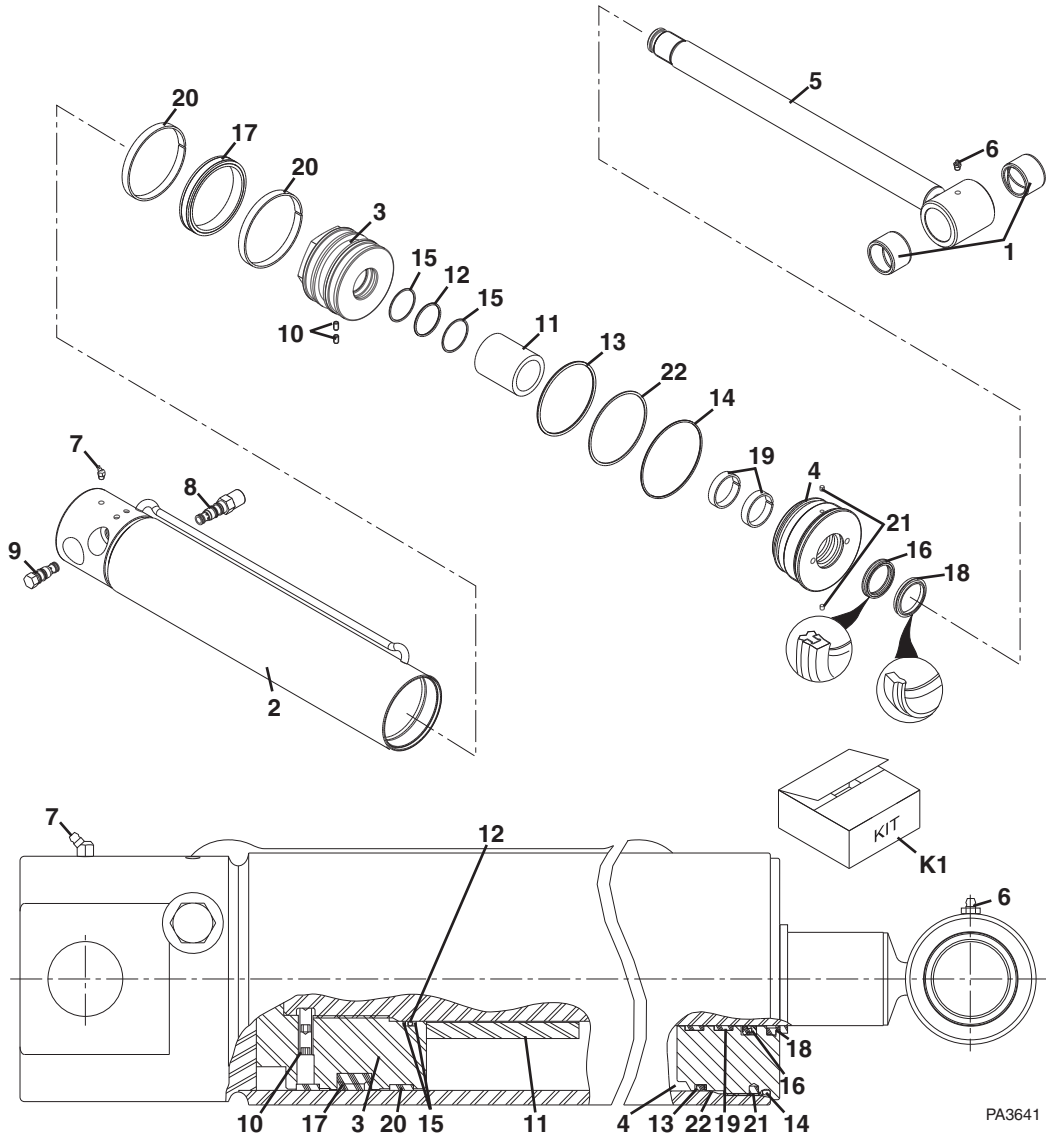
Figure 9-3 Frame Sway Cylinder

Item	Part Number	Qty.	Description	Rev.
	2716563	1	FRAME SWAY CYLINDER, (includes items 1 thru 16 & 18)	C
1	NSS	1	WELDMENT TUBE	
2	8035323	1	PISTON	
3	8035324	1	HEAD GLAND, (torque to 300-400 lb-ft)	
4	8035758	1	WELDMENT ROD	
5	8035322	1	HEX LOCKNUT, 1.50-12, (torque to 1100-1250 lb-ft)	
6	8035757	2	PO CHECK VALVE - SERIES 10, (torque to 35-40 lb-ft)	
	8035327	1	SEAL KIT	
7	Use Kit K1	1	O-RING	
8	Use Kit K1	1	O-RING	
9	Use Kit K1	1	O-RING	
10	Use Kit K1	1	BACK-UP RING	
11	Use Kit K1	1	DEEP Z-SEAL	
12	Use Kit K1	1	CAPPED T-SEAL	
13	Use Kit K1	1	WIPER SEAL	
14	Use Kit K1	1	PRECISION WEARBAND	
15	Use Kit K1	2	PRECISION WEARBAND	
16	Use Kit K1	1	LOCKING INSERT	
17	0100019	AR	LOCTITE® 271™, (apply to item 5)	
18	70021564	1	SQUARE RING	
K1	8035326	1	FRAME SWAY CYLINDER SEAL KIT, (includes items 7 thru 16)	



# HYDRAULIC COMPONENTS

Figure 9-4 Attachment Tilt Cylinder



PA3641

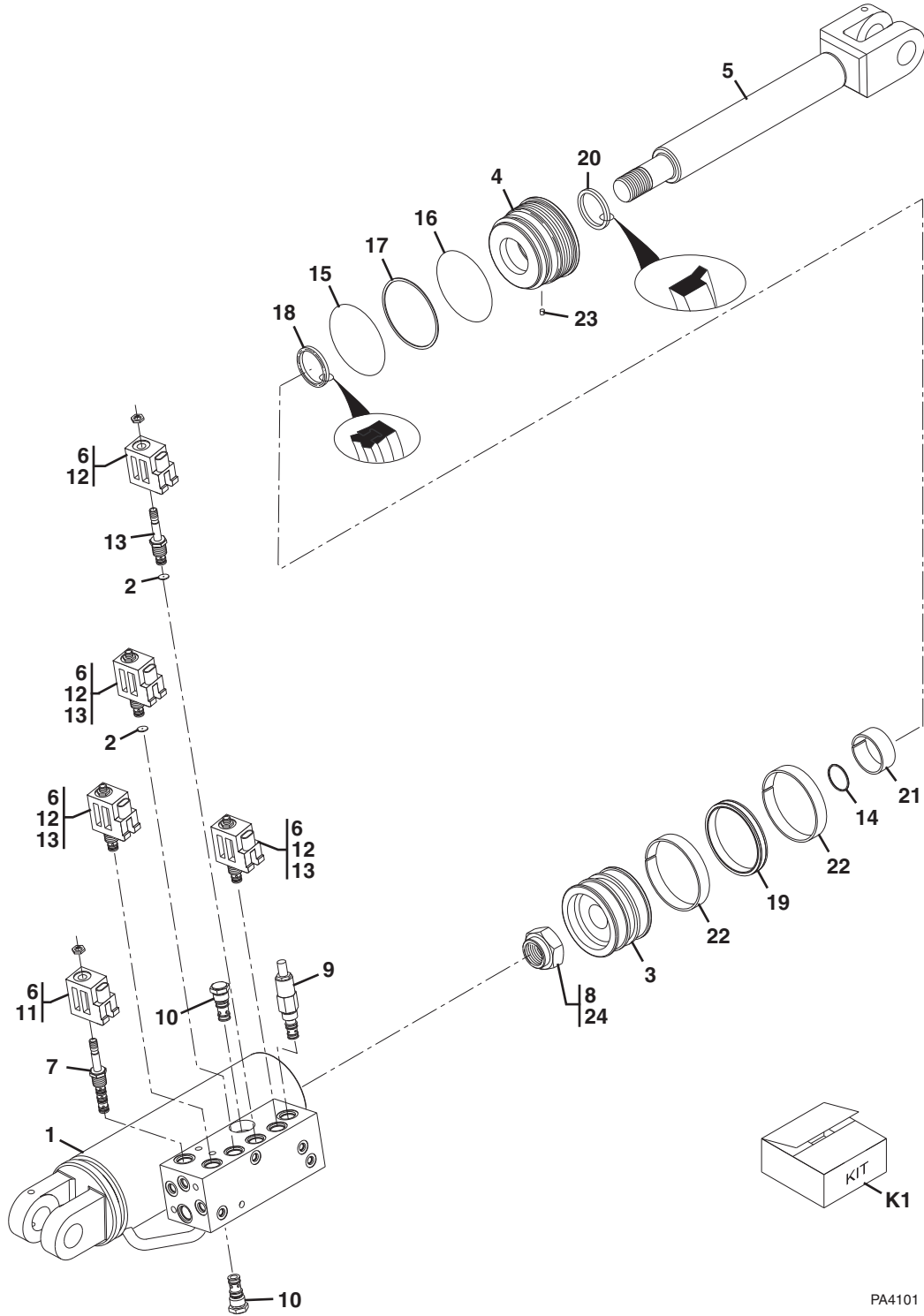


Figure 9-4 Attachment Tilt Cylinder

Item	Part Number	Qty.	Description	Rev.
	2716614	1	ATTACHMENT TILT CYLINDER, (includes all items)	E
1	8036149	2	BEARING	
2	70023265	1	WELDMENT TUBE	
3	8036392	1	PISTON, (Loctite® 243™ & torque to 200-300 lb-ft)	
4	8036391	1	GLAND, (torque to 300-400 lb-ft)	
5	8036389	1	WELDMENT ROD	
6	8036144	1	STRAIGHT LUBE FITTING	
7	8520034	1	LUBE FITTING, 45 DEGREES	
8	8035321	1	COUNTERBALANCE VALVE, (4000 PSI), (torque to 30-35 lb-ft)	
	8035327	1	SEAL KIT	
9	8036393	1	CHECK VALVE, (torque to 30-35 lb-ft)	
	8205655	1	SEAL KIT	
10	8035536	2	SET SCREW, 5/16-18X.5, (Loctite® 243™ & torque to 155-175 lb-ft)	
11	8036390	1	ROD SPACER	
12	Use Kit K1	1	O-RING	
13	Use Kit K1	1	O-RING	
14	Use Kit K1	1	O-RING	
15	Use Kit K1	2	DYNAMIC BACK-UP RING	
16	Use Kit K1	1	DEEP Z-SEAL	
17	Use Kit K1	1	CAPPED T-SEAL	
18	Use Kit K1	1	WIPER SEAL	
19	Use Kit K1	2	PRECISION WEARBAND	
20	Use Kit K1	2	PRECISION WEARBAND	
21	Use Kit K1	2	LOCKING INSERT	
22	Use Kit K1	1	DYNAMIC BACK-UP RING	
K1	8035720	1	ATTACHMENT TILT CYLINDER SEAL KIT, (includes items 12 thru 22)	



Figure 9-5 Stabil-Trak Cylinder



PA4101

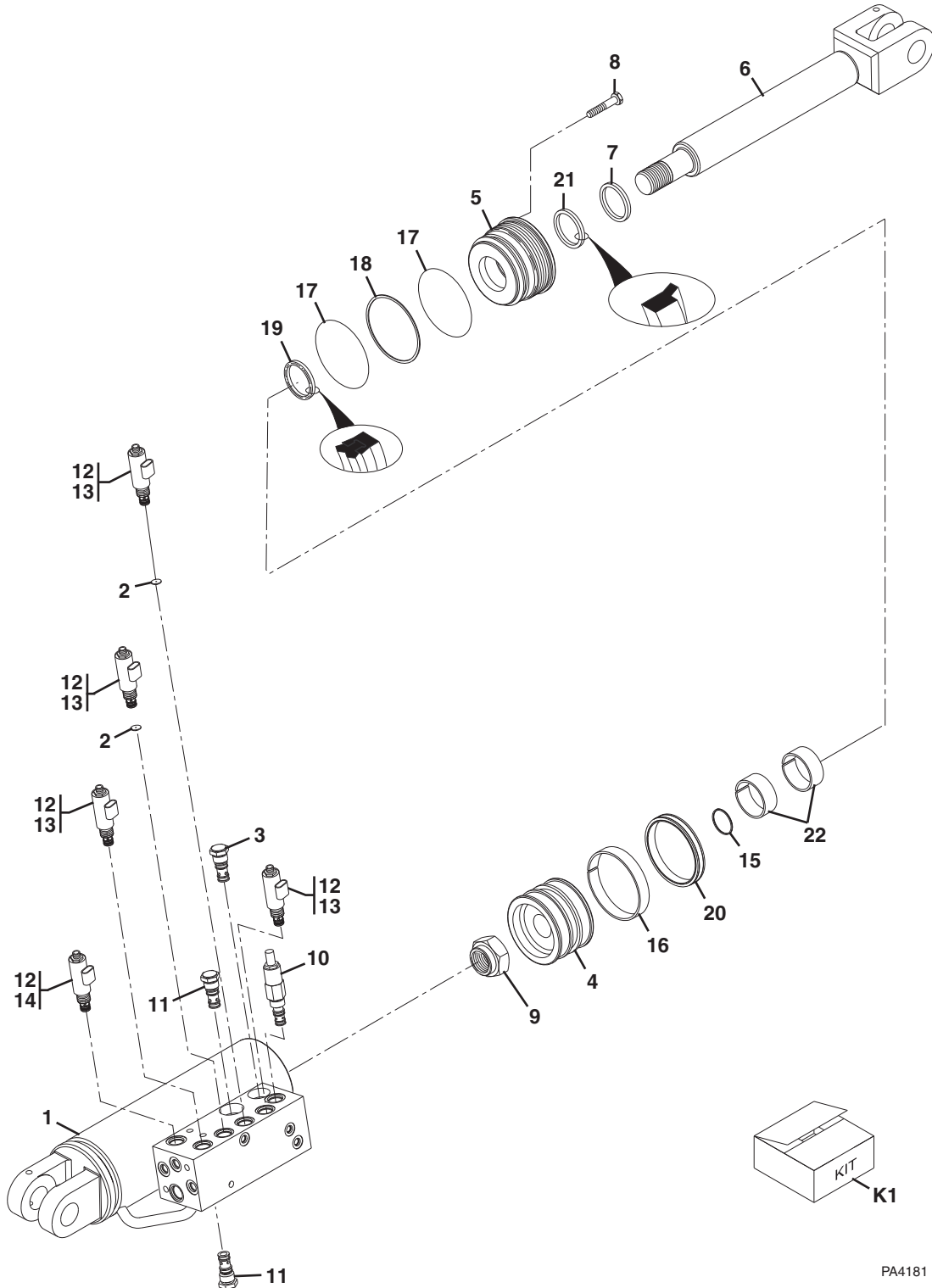


Figure 9-5 Stabil-Trak Cylinder

Item	Part Number	Qty.	Description	Rev.
	2716564	1	STABIL-TRAK CYLINDER, (includes items 1 thru 23)	AD
1	NSS	1	WELDMENT TUBE	
2	8035781	2	CONICAL ORIFICE DISK, .060 DIA	
3	8035323	1	PISTON, (torque to 300-400 lb-ft)	
4	8035324	1	HEAD GLAND, (torque to 300-400 lb-ft)	
5	8035783	1	WELDMENT ROD	
6	8036288	5	SOLENOID COIL, (torque to 25-30 lb-ft)	
7	8036290	1	SOLENOID VALVE CARTRIDGE	
8	8035322	1	LOCKNUT, 1.50-12, (torque to 1100-1250 lb-ft)	
9	8035282	1	PRESSURE REDUCING VALVE, (torque to 35-40 lb-ft)	
	8032994	1	SEAL KIT	
10	8035281	2	PO CHECK VALVE, SERIES 10, (torque to 35-40 lb-ft)	
	8036192	1	SEAL KIT	
11	8036020	1	SOLENOID VALVE, 4 WAY, 12V, (includes items 6 & 7)	
	8036195	1	SEAL KIT	
12	8036019	4	SOLENOID VALVE, 2 WAY, 12V, (includes items 6 & 13)	
	8034037	1	SEAL KIT	
13	8036289	4	SOLENOID VALVE CARTRIDGE	
14	Use Kit K1	1	O-RING	
15	Use Kit K1	1	O-RING	
16	Use Kit K1	1	O-RING	
17	Use Kit K1	1	BACK-UP RING	
18	Use Kit K1	1	DEEP Z-SEAL	
19	Use Kit K1	1	CAPPED T-SEAL	
20	Use Kit K1	1	WIPER SEAL	
21	Use Kit K1	1	PRECISION WEARBAND	
22	Use Kit K1	2	PRECISION WEARBAND	
23	Use Kit K1	1	LOCKING INSERT	
24	0100019	1	LOCTITE® 271™, (apply to item 8)	
K1	8035326	1	SEAL KIT, (includes items 14 thru 23)	



Figure 9-5 Stabil-Trak Cylinder



PA4181

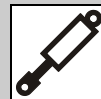
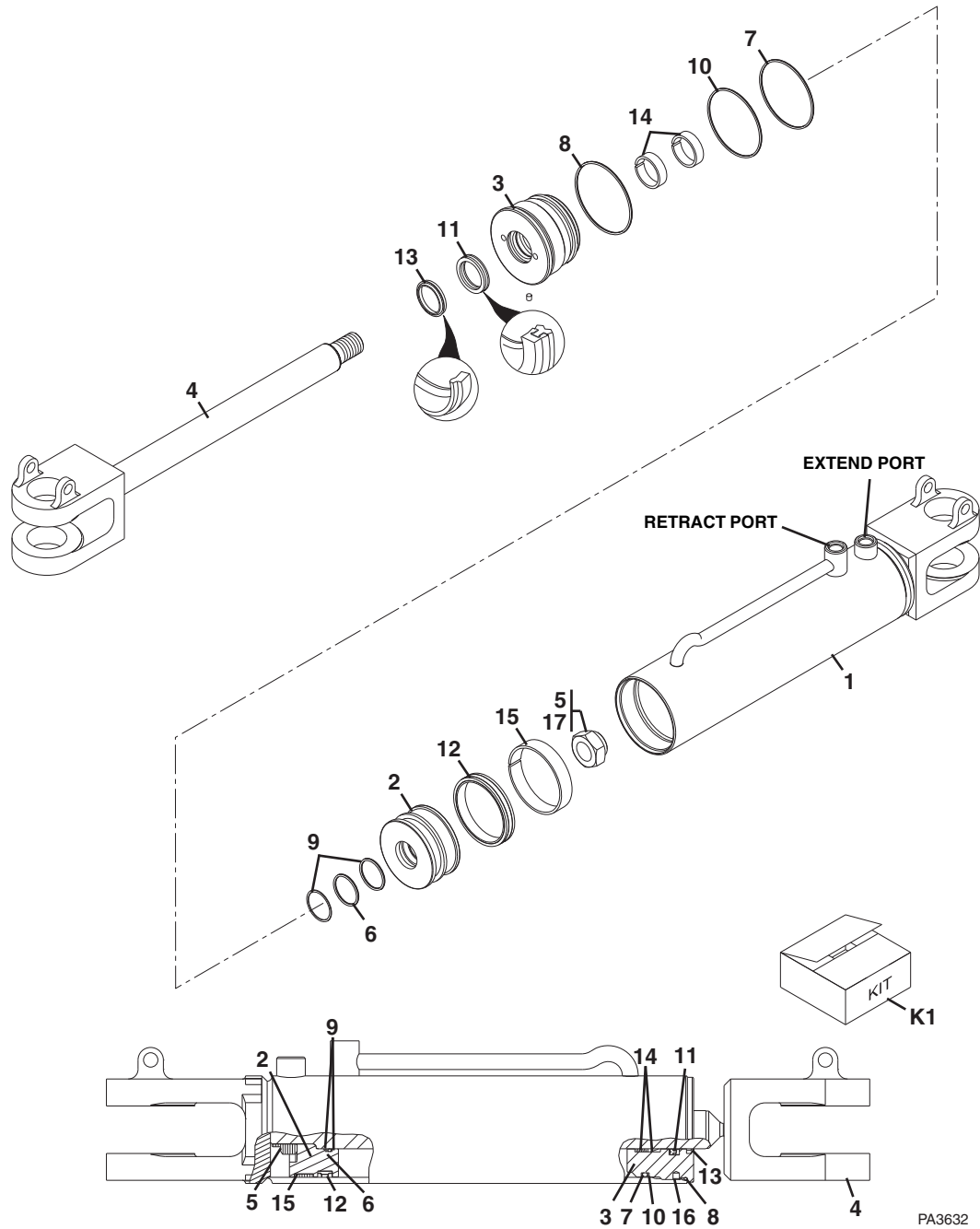


Figure 9-5 Stabil-Trak Cylinder

Item	Part Number	Qty.	Description	Rev.
	2717198	1	STABIL-TRAK CYLINDER, (includes items 1 thru 22)	D
1	NSS	1	WELDMENT TUBE	
2	8035781	2	CONICAL ORIFICE DISK, .060 DIA	
3	8036582	1	CHECK VALVE, (torque to 20-25 lb-ft)	
	7017496	1	SEAL KIT	
4	8036826	1	PISTON	
5	8036828	1	GUIDE, (torque to 300-350 lb-ft)	
6	8036827	1	ROD WELDMENT	
7	7029153	1	O-RING	
8	8036811	1	HEX SOCKET SET SCREW, 1/4-20X3/8, (torque to 3-4 lb-ft)	
9	8036825	1	LOCKNUT, 1-1/2-12, (torque to 1175-1400 lb-ft)	
10	8035282	1	PRESSURE REDUCING VALVE, (torque to 35-40 lb-ft)	
	8032994	1	SEAL KIT	
11	8035281	2	PO CHECK VALVE, SERIES 10, (torque to 35-40 lb-ft)	
	8036192	2	SEAL KIT	
12	7029246	5	SOLENOID COIL, (torque to 25-30 lb-ft)	
13	8036581	4	SOLENOID VALVE, 2 WAY, 12V	
	7017496	4	SEAL KIT	
14	8036580	1	SOLENOID VALVE, 4 WAY, 12V	
	7012903	1	SEAL KIT	
15	Use Kit K1	1	O-RING	
16	Use Kit K1	1	WEAR RING	
17	Use Kit K1	2	O-RING	
18	Use Kit K1	1	BACK-UP RING	
19	Use Kit K1	1	DEEP Z-SEAL	
20	Use Kit K1	1	CAPPED T-SEAL	
21	Use Kit K1	1	WIPER RING	
22	Use Kit K1	2	WEAR RING	
K1	8036747	1	SEAL KIT, (includes items 15 thru 22)	



Figure 9-6 Slave Cylinder



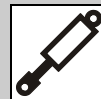


Figure 9-6 Slave Cylinder

Item	Part Number	Qty.	Description	Rev.
	2716615	2	SLAVE CYLINDER, (includes items 1 thru 16)	AB
1	NSS	1	CYLINDER TUBE	
2	8036401	1	PISTON	
3	8036400	1	HEAD GLAND, (torque 250-300 lb-ft)	
4	8036399	1	ROD	
5	8037080	1	LOCKNUT, 1.25-12, (torque 675-750 lb-ft)	
6	Use Kit K1	1	O-RING	
7	Use Kit K1	1	O-RING	
8	Use Kit K1	1	O-RING	
9	Use Kit K1	2	BACK-UP RING	
10	Use Kit K1	1	BACK-UP RING	
11	Use Kit K1	1	DEEP Z-SEAL	
12	Use Kit K1	1	CAPPED T-SEAL	
13	Use Kit K1	1	WIPER SEAL	
14	Use Kit K1	2	WEARBAND	
15	Use Kit K1	1	WEARBAND	
16	Use Kit K1	1	LOCKING INSERT	
17	0100019	AR	LOCTITE® 271™, (apply to item 5)	
K1	8036131	1	SEAL KIT, (includes items 6 thru 16)	
N1	Note	Ref	<b>QUANTITIES SHOWN ARE FOR ONE CYLINDER ONLY</b>	



Figure 9-6 Slave Cylinder

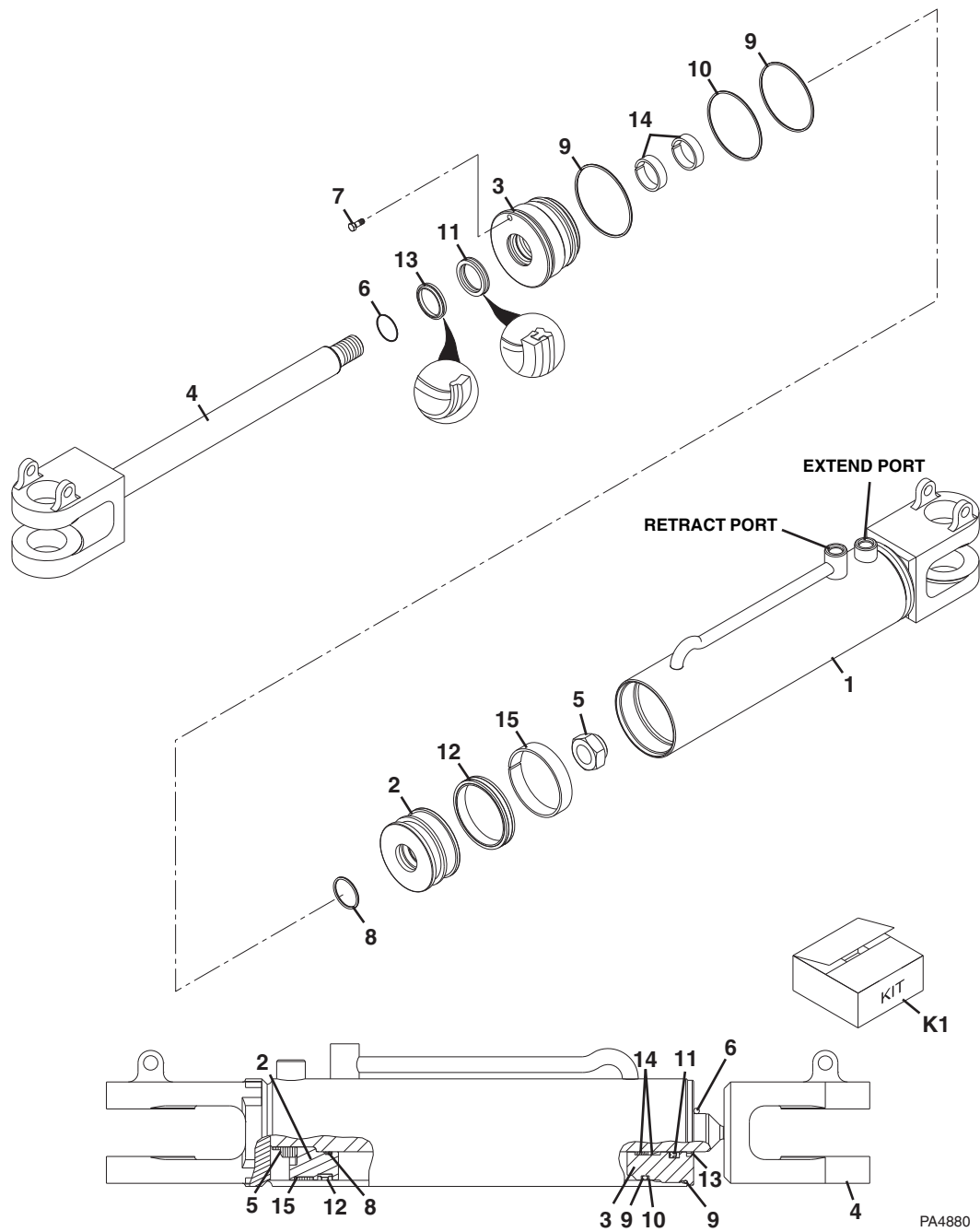


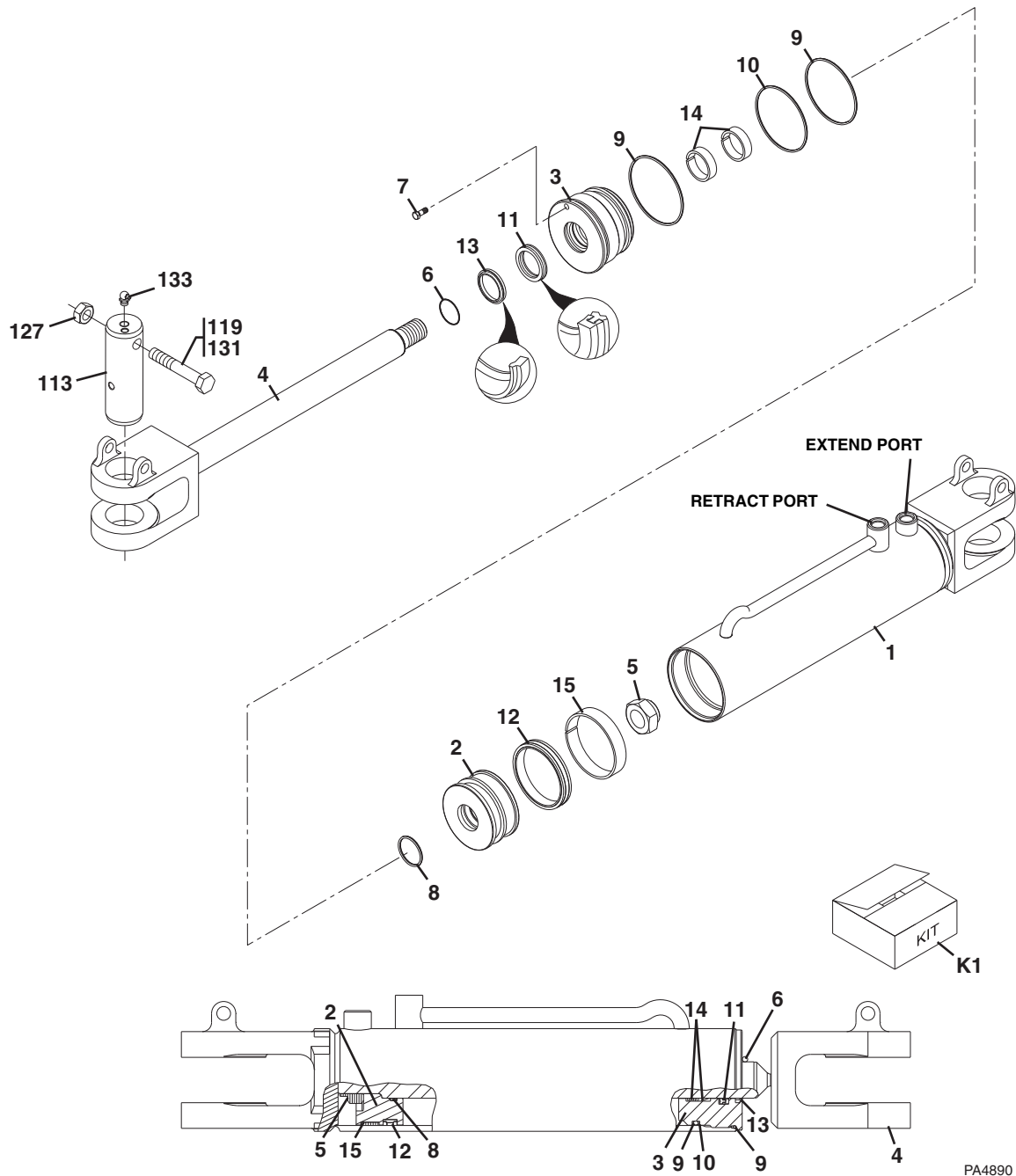


Figure 9-6 Slave Cylinder

Item	Part Number	Qty.	Description	Rev.
	2717197	2	SLAVE CYLINDER, (includes items 1 thru 15)	C
1	NSS	1	CYLINDER TUBE	
2	7029247	1	PISTON	
3	7029250	1	GUIDE, (torque 300-350 lb-ft)	
4	7029248	1	ROD	
5	7017278	1	LOCKNUT, 1-1/8-12, (torque 650-700 lb-ft)	
6	7029249	1	O-RING	
7	7017283	1	HEX SOCKET SET SCREW, 1/4-20X3/8, (torque to 3-4 lb-ft)	
8	Use Kit K1	1	O-RING	
9	Use Kit K1	2	O-RING	
10	Use Kit K1	1	BACK-UP RING	
11	Use Kit K1	1	DEEP Z-SEAL	
12	Use Kit K1	1	CAPPED T-SEAL	
13	Use Kit K1	1	WIPER RING	
14	Use Kit K1	2	WEAR RING	
15	Use Kit K1	1	WEAR RING	
K1	7028739	1	SEAL KIT, (includes items 8 thru 15)	
N1	Note	Ref	<b>QUANTITIES SHOWN ARE FOR ONE CYLINDER ONLY</b>	



Figure 9-6 Slave Cylinder



PA4890



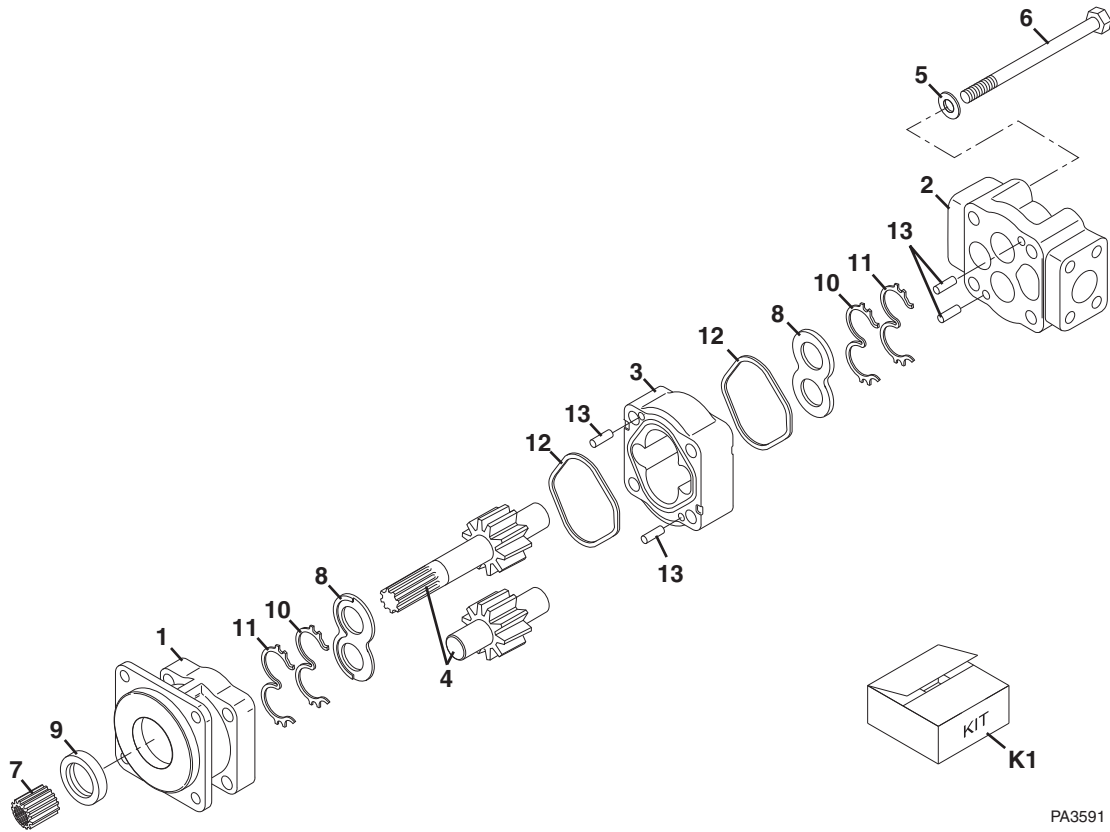
Figure 9-6 Slave Cylinder

Item	Part Number	Qty.	Description	Rev.
	2717260	2	SLAVE CYLINDER, (includes items 1 thru 15)	B
1	NSS	1	CYLINDER TUBE	
2	7029247	1	PISTON	
3	7029250	1	GUIDE, (torque 300-350 lb-ft)	
4	7029251	1	ROD	
5	7017278	1	LOCKNUT, 1-1/8-12, (torque 650-700 lb-ft)	
6	7029249	1	O-RING	
7	8036811	1	HEX SOCKET SET SCREW, 1/4-20X3/8, (torque to 3-4 lb-ft)	
8	Use Kit K1	1	O-RING	
9	Use Kit K1	2	O-RING	
10	Use Kit K1	1	BACK-UP RING	
11	Use Kit K1	1	DEEP Z-SEAL	
12	Use Kit K1	1	CAPPED T-SEAL	
13	Use Kit K1	1	WIPER RING	
14	Use Kit K1	2	WEAR RING	
15	Use Kit K1	1	WEAR RING	
113	3423227	1	CYLINDER PIN	
119	8303782	1	HEX HD CAPSCREW, 1/2-13X4, GR5	
127	8305644	1	HEX LOCKNUT, 1/2-13	
131	8522012	AR	ANTI-SEIZE LUBE	
133	8520003	1	LUBE FITTING, 90 DEGREES	
K1	7028739	1	SEAL KIT, (includes items 8 thru 15)	
N1	Note	Ref	<b>QUANTITIES SHOWN ARE FOR ONE CYLINDER ONLY</b>	



# HYDRAULIC COMPONENTS

## Figure 9-7 Gear Pump



PA3591



Figure 9-7 Gear Pump

Item	Part Number	Qty.	Description	Rev.
	8440162	1	GEAR PUMP, (includes all items)	AA
1	NSS	1	SEC HOUSING	
2	NSS	1	PEC HOUSING	
3	8036428	1	GEAR HOUSING	
4	8036271	1	GEAR SHAFT SET	
5	NSS	4	WASHER	
6	8035745	4	HEX HD CAPSCREW	
7	8035744	1	SPLINE ADAPTER	
8	NSS	2	THRUST PLATE	
9	Use Kit K1	1	LIP SEAL	
10	Use Kit K1	2	CHANNEL SEAL	
11	Use Kit K1	2	BACK-UP SEAL	
12	Use Kit K1	2	SQUARE R SEAL	
13	83671037	4	DOWEL PIN	
K1	8036429	1	GEAR PUMP SEAL KIT, (includes items 9 thru 12)	



# HYDRAULIC COMPONENTS

Figure 9-8 Main Control Valve

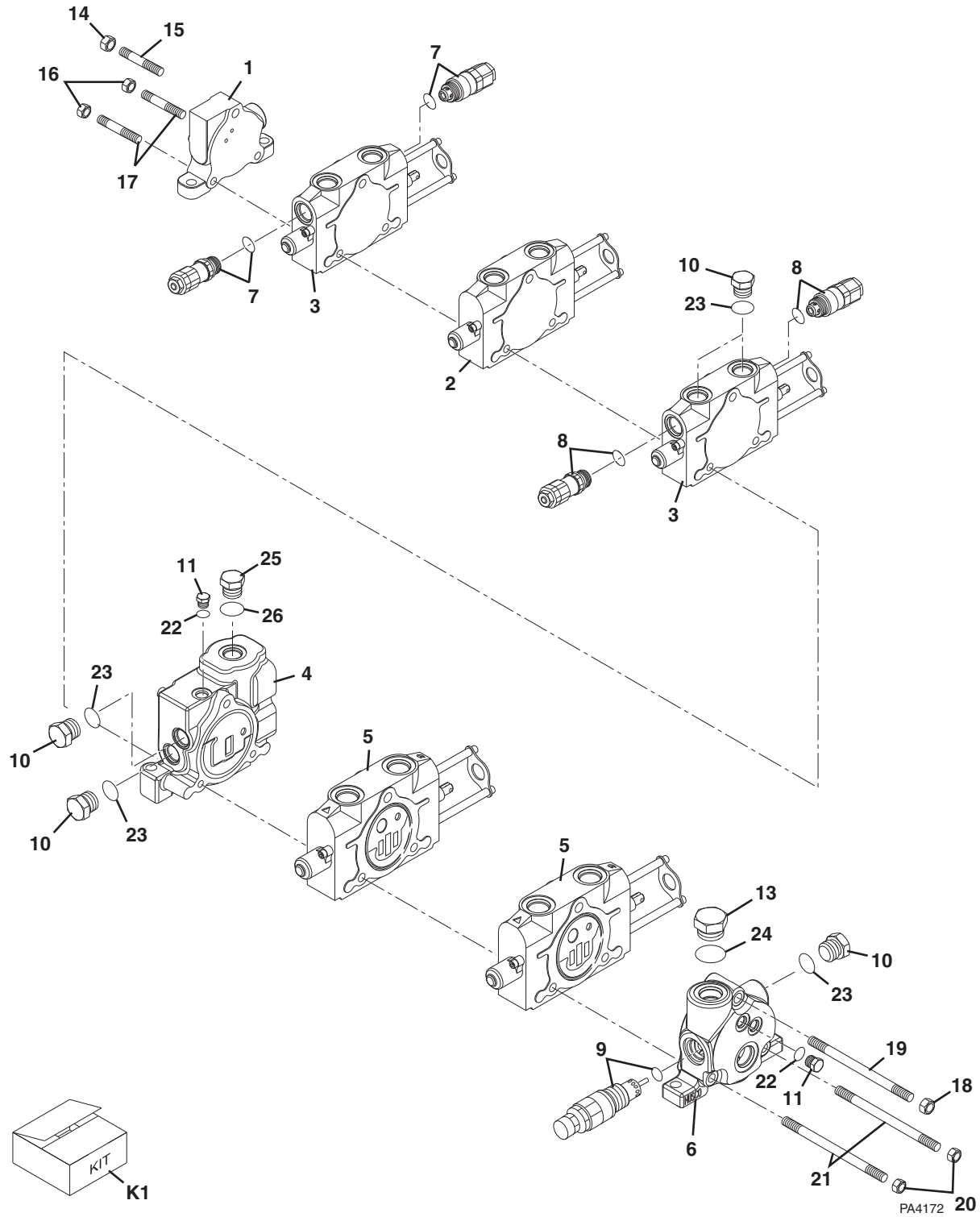




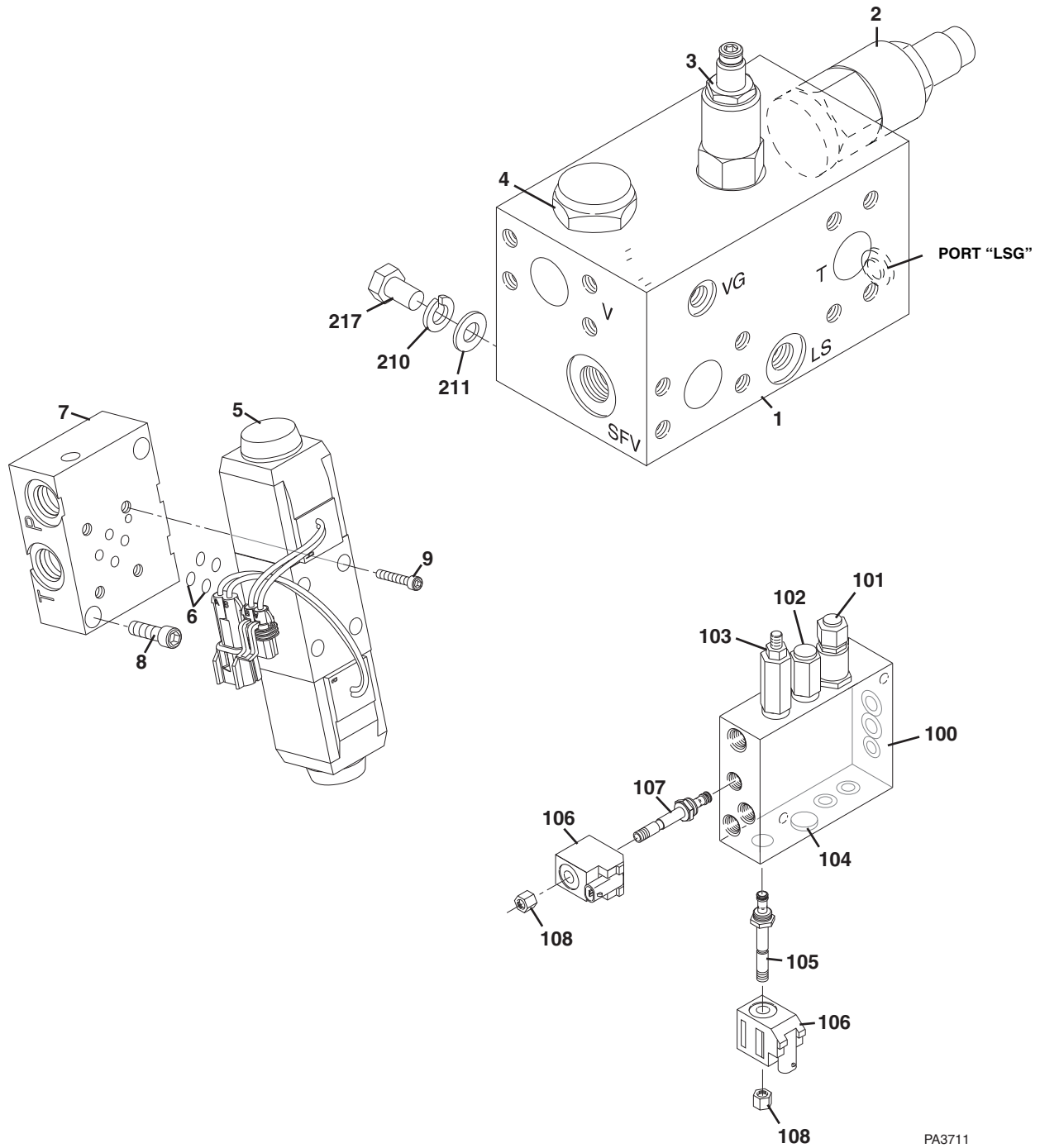
Figure 9-8 Main Control Valve

Item	Part Number	Qty.	Description	Rev.
	8902187	1	MAIN CONTROL VALVE, (includes all items)	AD
1	8035848	1	OUTLET SECTION ASSY	
2	8036177	1	FRAME SWAY SECTION ASSY	
3	8036178	2	ATTACHMENT TILT AND AUXILIARY HYDRAULIC SECTION ASSY	
4	8035849	1	MID-INLET SECTION ASSY	
5	8036179	2	BOOM EXTEND/RETRACT AND BOOM LIFT/LOWER SECTION ASSY	
6	8036263	1	EXTEND/RETRACT AND LIFT/LOWER SECTION ASSY OUTLET	
7	8036175	2	RELIEF ASSY VALVE - Preset at 3250 ± 50 psi (224 ± 3,4 bar)	
8	8036174	2	RELIEF ASSY VALVE - Preset at 3250 ± 50 psi (224 ± 3,4 bar)	
9	8035844	1	MAIN RELIEF VALVE - Preset at 3500 ± 50 psi (242 ± 3,4 bar)	
10	8035834	4	PLUG, #10	
11	8035843	2	PLUG	
12	8760419	2	PLUG, #6, (not used on machines with auxiliary hydraulics)	
13	8035835	1	PLUG, #10	
14	8035346	1	NUT	
15	8036283	1	TIE ROD	
16	8035348	2	NUT	
17	8036284	2	TIE ROD	
18	8035347	1	NUT	
19	8036282	1	TIE ROD	
20	8035381	2	NUT	
21	8036281	2	TIE ROD	
22	8036533	2	O-RING	
23	8036517	4	O-RING	
24	7013903	1	O-RING	
25	7013930	1	PLUG	
26	7013928	1	O-RING	
K1	8036180	1	COMPLETE VALVE SEAL KIT	



# HYDRAULIC COMPONENTS

## Figure 9-9 Directional Control Valves



PA3711



Figure 9-9 Directional Control Valves

Item	Part Number	Qty.	Description	Rev.
1	8902200	1	UNLOADER VALVE, ( <b>Before S/N 0160037903</b> ), (includes items 2 thru 4)	E
	1001103151	1	UNLOADER VALVE, ( <b>S/N 0160037903 &amp; After</b> ), (includes items 2 thru 4)	A
2	8035775	1	DIFFERENTIAL PRESSURE SENSE VALVE, (torque to 80-90 lb-ft), ( <b>Before S/N 0160037903</b> )	
	8036187	1	SEAL KIT	
	70022718	1	DIFFERENTIAL PRESSURE SENSE VALVE, (torque to 60-65 lb-ft), ( <b>S/N 0160037903 &amp; After</b> )	
	8034562	1	SEAL KIT	
3	8036356	1	RELIEF VALVE, (torque to 35-40 lb-ft), ( <b>Before S/N 0160037903</b> )	
	8034037	1	SEAL KIT	
	70022717	1	RELIEF VALVE, (2700 PSI, [186 bar]), (torque to 37-41 lb-ft), ( <b>S/N 0160037903 &amp; After</b> )	
	8032693	1	SEAL KIT	
4	8035774	1	CHECK VALVE, (125 psi [8,6 bar]), (torque to 80-90 lb-ft), ( <b>Before S/N 0160037903</b> )	
	70020799	1	SEAL KIT	
	70022716	1	CHECK VALVE, (180 psi [12,4 bar]), (torque to 40 lb-ft), ( <b>S/N 0160037903 &amp; After</b> )	
	7009764	1	SEAL KIT	
5	8902197	1	STEER SELECT VALVE, ( <b>Before S/N 0160037903</b> ), (includes item 6)	C
	1001103152	1	STEER SELECT VALVE, ( <b>S/N 0160037903 &amp; After</b> ), (includes item 6)	C
6	8640017	AR	O-RING	
7	8902111	1	STEER SELECT VALVE SUBPLATE	
8	8310326	2	SOCKET HD CAPSCREW, 5/16-18X1.125, (torque to 18.5-21 lb-ft)	
9	8310327	4	SOCKET HD CAPSCREW, #10-24X1.125, (torque to 18.5-21 lb-ft)	
100	8902196	1	SECONDARY FUNCTION MANIFOLD, ( <b>Before S/N 0160037953</b> ), (includes items 101 thru 108)	E
	1001103149	1	SECONDARY FUNCTION MANIFOLD, ( <b>S/N 0160037953 &amp; After</b> ), (includes items 101 thru 108)	A
101	8032989	1	PRESSURE REDUCING VALVE, (2500 PSI, [172 bar]), (torque to 60-70 lb-ft), ( <b>Before S/N 0160037953</b> )	
	8032990	1	SEAL KIT	
	70022720	1	PRESSURE REDUCING VALVE, (2500 PSI, [172 bar]), (torque to 21 lb-ft), ( <b>S/N 0160037953 &amp; After</b> )	
	NSS	1	SEAL KIT	
102	8032993	1	PRESSURE REDUCING VALVE, (550 PSI, [38 bar]), (torque to 35-40 lb-ft), ( <b>Before S/N 0160037953</b> )	
	8032994	1	SEAL KIT	
	70022719	1	PRESSURE REDUCING VALVE, (550 PSI, [38 bar]), (torque to 37-41 lb-ft), ( <b>S/N 0160037953 &amp; After</b> )	
	NSS	1	SEAL KIT	
103	8032991	1	PRESSURE REDUCING VALVE, (650 PSI, [45 bar]), (torque to 25-30 lb-ft), ( <b>Before S/N 0160037953</b> )	
	8032994	1	SEAL KIT	
	70022721	1	PRESSURE REDUCING VALVE, (650 PSI, [45 bar]), (torque to 37-41 lb-ft), ( <b>S/N 0160037953 &amp; After</b> )	
	NSS	1	SEAL KIT	
104	8032995	1	CHECK VALVE, ( <b>Before S/N 0160037953</b> )	
	8032992	1	SEAL KIT	
	91474023	1	CHECK VALVE, (torque to 23-27 lb-ft), ( <b>S/N 0160037953 &amp; After</b> )	
	91474024	1	SEAL KIT	



## HYDRAULIC COMPONENTS

Figure 9-9 Directional Control Valves (Continued)

Item	Part Number	Qty.	Description	Rev.
105	8902696	1	SOLENOID VALVE CARTRIDGE, (torque to 25-30 lb-ft), <b>(Before S/N 0160037953)</b>	
	8032992	1	SEAL KIT	
	70022723	1	SOLENOID VALVE CARTRIDGE, (torque to 23-27 lb-ft), <b>(S/N 0160037953 &amp; After)</b>	
106	NSS	1	SEAL KIT	
	8902698	2	SOLENOID COIL WITH INTEGRATED DIODE, <b>(Before S/N 0160037953)</b>	
	70022724	2	SOLENOID COIL WITH INTEGRATED DIODE, <b>(S/N 0160037953 &amp; After)</b>	
107	8902697	1	SOLENOID VALVE CARTRIDGE, (torque to 25-30 lb-ft), <b>(Before S/N 0160037953)</b>	
	8032992	1	SEAL KIT	
	70022722	1	SOLENOID VALVE CARTRIDGE, (torque to 23-27 lb-ft), <b>(S/N 0160037953 &amp; After)</b>	
	NSS	1	SEAL KIT	
108	NSS	2	NUT, (torque to 4-6 lb-ft)	
210	8307005	3	LOCKWASHER, 3/8	
211	8307203	3	WASHER, 5/16	
217	8310525	3	HEX HD CAPSCREW, 3/8-16X1.00, GR8, (torque to 46-52 lb-ft)	



Figure 9-9 Directional Control Valves (Continued)

Item	Part Number	Qty.	Description	Rev.



HYDRAULIC COMPONENTS

Figure 9-10 Fuel/Hydraulic Tank Assembly

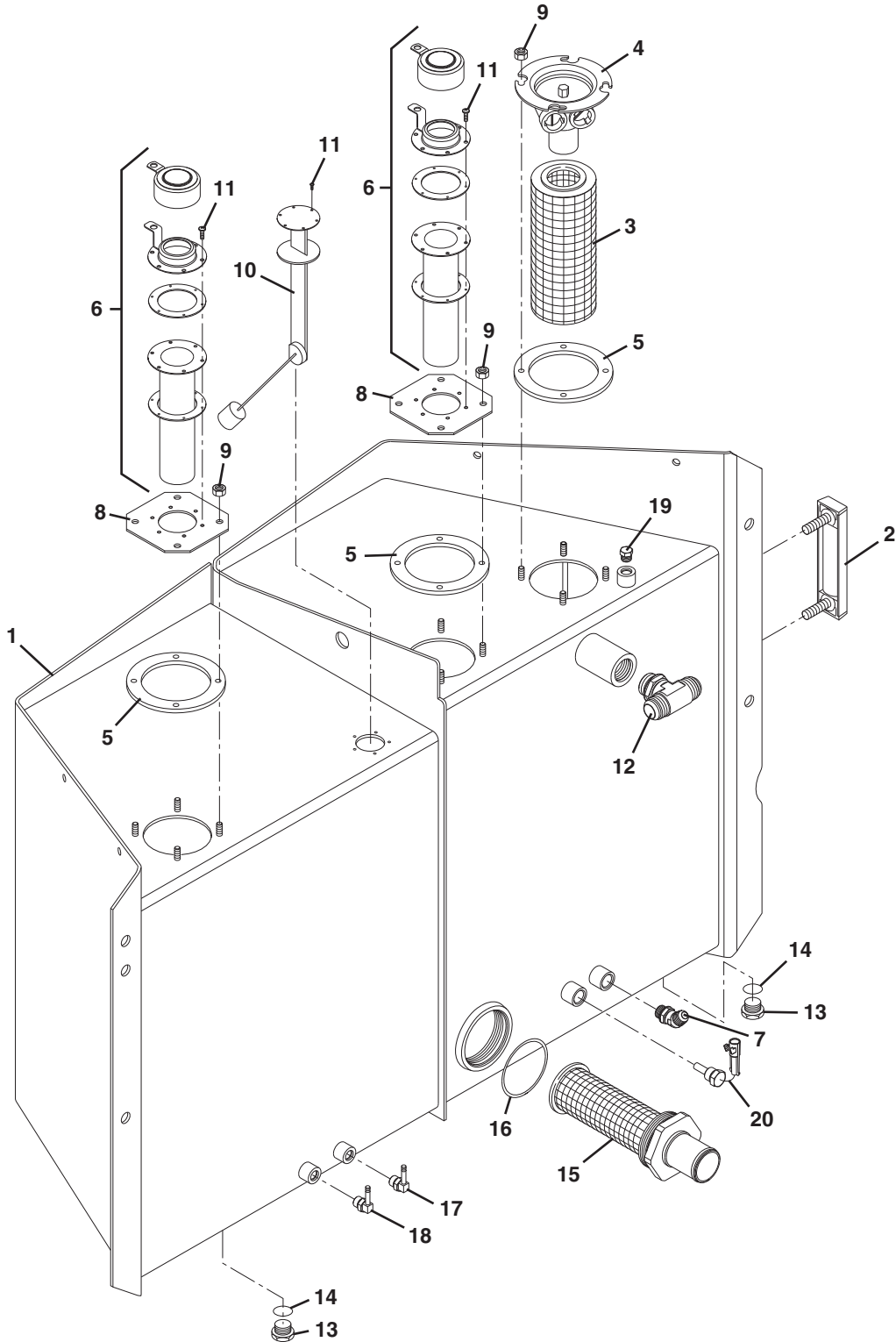


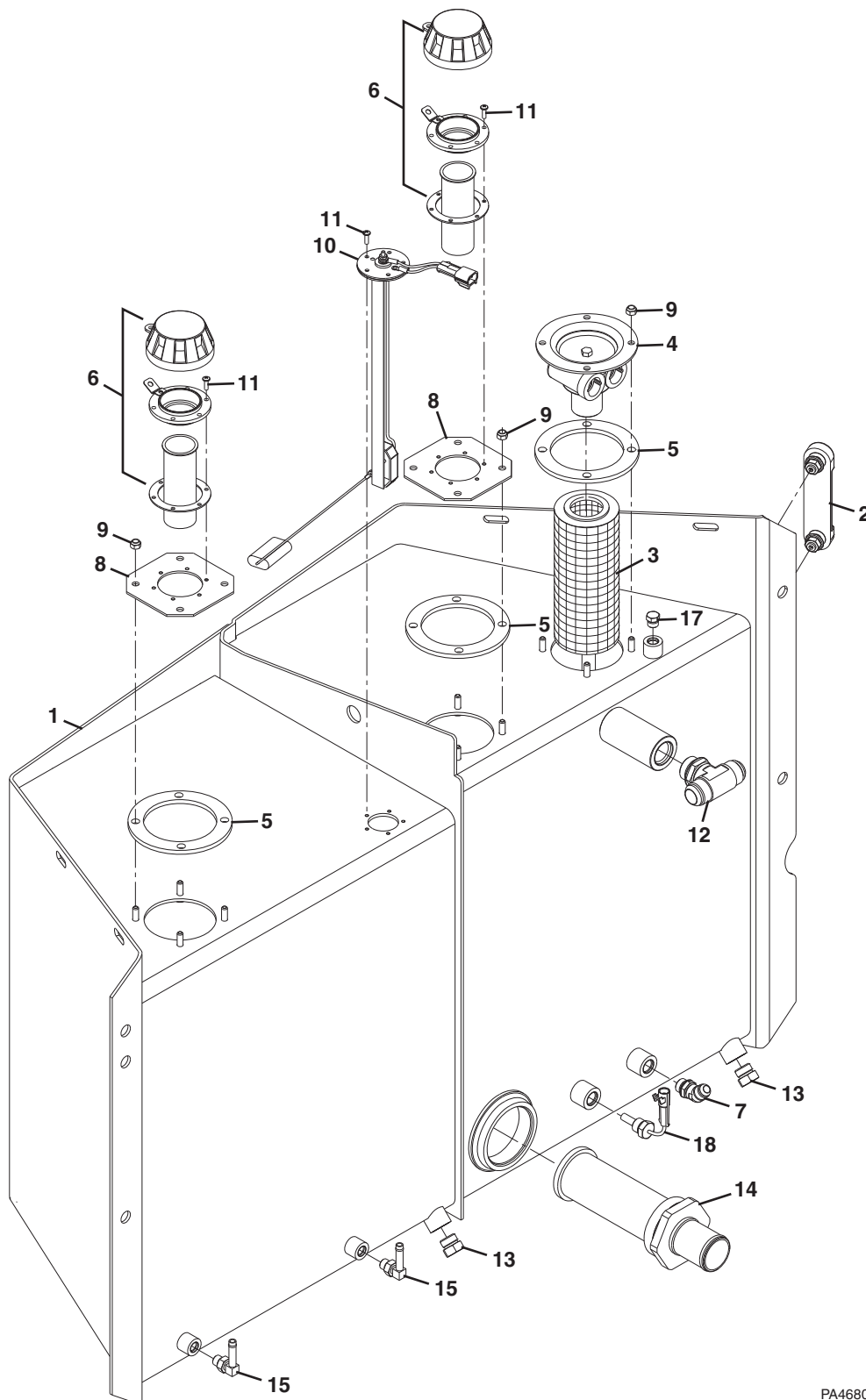


Figure 9-10 Fuel/Hydraulic Tank Assembly

Item	Part Number	Qty.	Description	Rev.
	7150655	1	FUEL/HYDRAULIC TANK ASSY, (S/N 17019 thru 19897), (includes all items)	F
	7301863	1	FUEL/HYDRAULIC TANK ASSY, (S/N 0160002408 thru 0160037238), (includes all items)	G
1	7150610	1	FUEL/HYDRAULIC TANK, (S/N 17019 thru 19897)	
	7301862	1	FUEL/HYDRAULIC TANK, (S/N 0160002408 thru 0160037238)	
2	7024441	1	SIGHT GAUGE, (torque bolts to 4-5 lb-ft)	
3	8320265	1	HYDRAULIC OIL FILTER ELEMENT, (Before S/N 0160002408)	
	7301252	1	HYDRAULIC OIL FILTER ELEMENT, (S/N 0160002408 & After)	
4	1001091752	1	FILTER HEAD, (with by-pass)	
5	7138209	3	GASKET	
6	7139077	2	FILLER/BREATHER	
7	2220500	1	ELBOW, 45 DEGREES, (includes o-ring)	
8	7139076	2	PLATE	
9	8305626	12	HEX LOCKNUT, 5/16-18	
10	7118222	1	FUEL LEVEL SENDER ASSY	
11	8310163	17	TRUSS HD SCREW, #10X5/8	
12	8760552	1	MALE BRANCH TEE, #16, (includes o-ring)	
13	8541435	2	MAGNETIC HEX HD PLUG, (S/N 17019 thru 19897)	
	2220239	2	HEX HD PLUG, (includes o-ring), (S/N 0160002408 thru 0160037238)	
14	8640903	2	O-RING, (S/N 17019 thru 19897)	
15	7138740	1	SUCTION STRAINER, (includes o-ring)	
16	7029716	1	O-RING	
17	8430034	1	ELBOW, 90 DEGREES, (includes o-ring)	
18	8430064	1	ELBOW, 90 DEGREES, (includes o-ring)	
19	2220237	1	HEX HD PLUG, #6, (includes o-ring)	
20	8223226	1	HYDRAULIC TEMPERATURE SWITCH, 195°F	



Figure 9-10 Fuel/Hydraulic Tank Assembly



PA4680



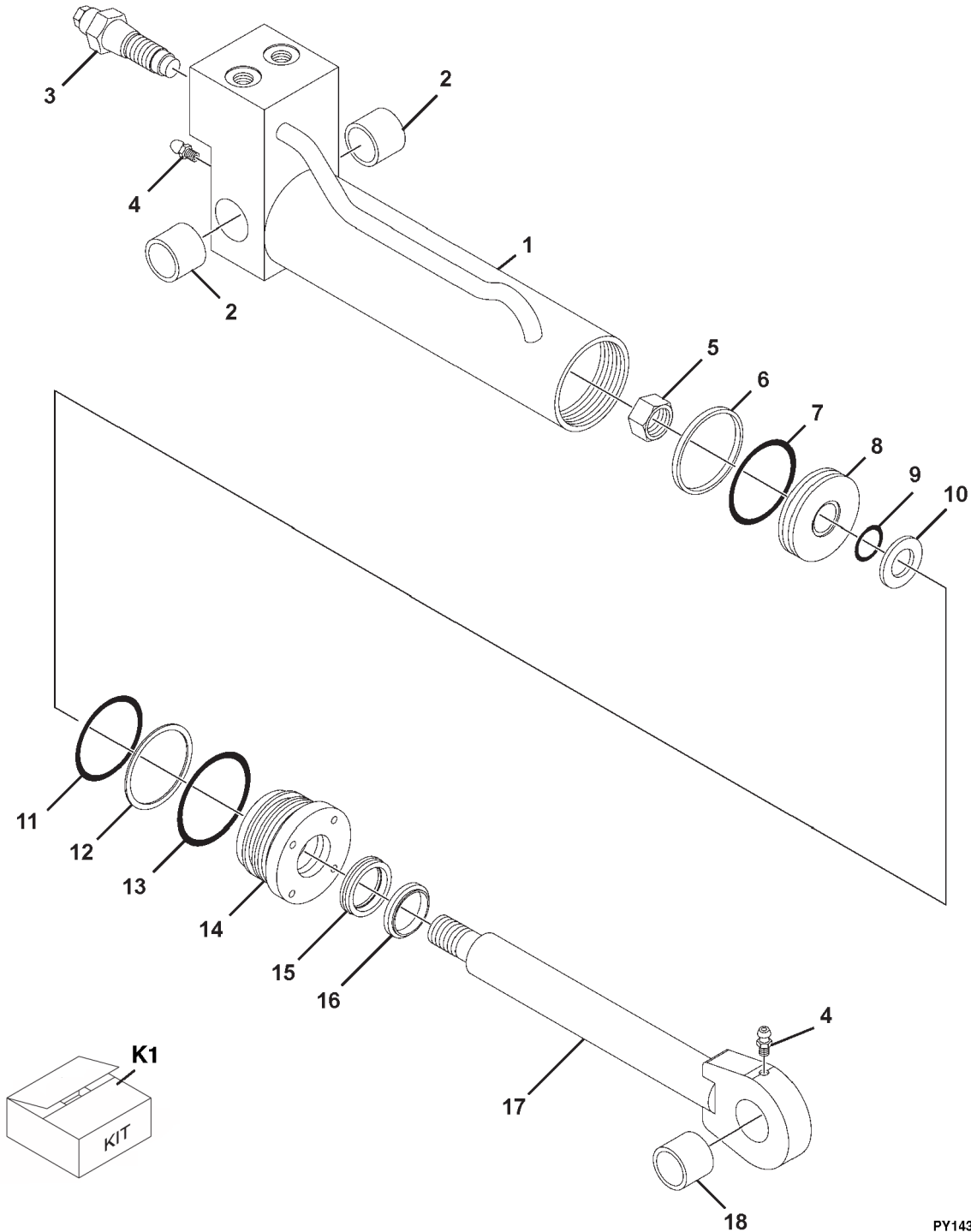
Figure 9-10 Fuel/Hydraulic Tank Assembly

Item	Part Number	Qty.	Description	Rev.
	1001100218	1	FUEL/HYDRAULIC TANK ASSY, (includes all items)	C
1	7301862	1	FUEL/HYDRAULIC TANK	
2	7024441	1	SIGHT GAUGE	
3	7301252	1	RETURN FILTER ELEMENT	
4	1001091752	1	INTAKE FILTER HEAD	
5	7138209	3	HYDRAULIC TANK GASKET	
6	7139077	2	FILLER/BREATHER	
7	2220500	1	ELBOW, 45 DEGREES, (includes o-ring)	
8	7139076	2	PLATE	
9	8305626	12	HEX LOCKNUT, 5/16-18	
10	7118222	1	FUEL SENDER	
11	8310163	17	PAN HD SCREW, #10-24X5/8	
12	8760552	1	RUN TEE	
13	2220239	2	HEX HD PLUG, (includes o-ring)	
14	7138740	1	SUCTION STRAINER	
	7029716	1	O-RING	
15	8430034	2	ELBOW, 90 DEGREES, (includes o-ring)	
17	2220237	1	HEX HD PLUG, #6, (includes o-ring)	
18	8223226	1	HYDRAULIC TEMPERATURE SWITCH	



# HYDRAULIC COMPONENTS

## Figure 9-11 Grapple Bucket Cylinder



PY1431



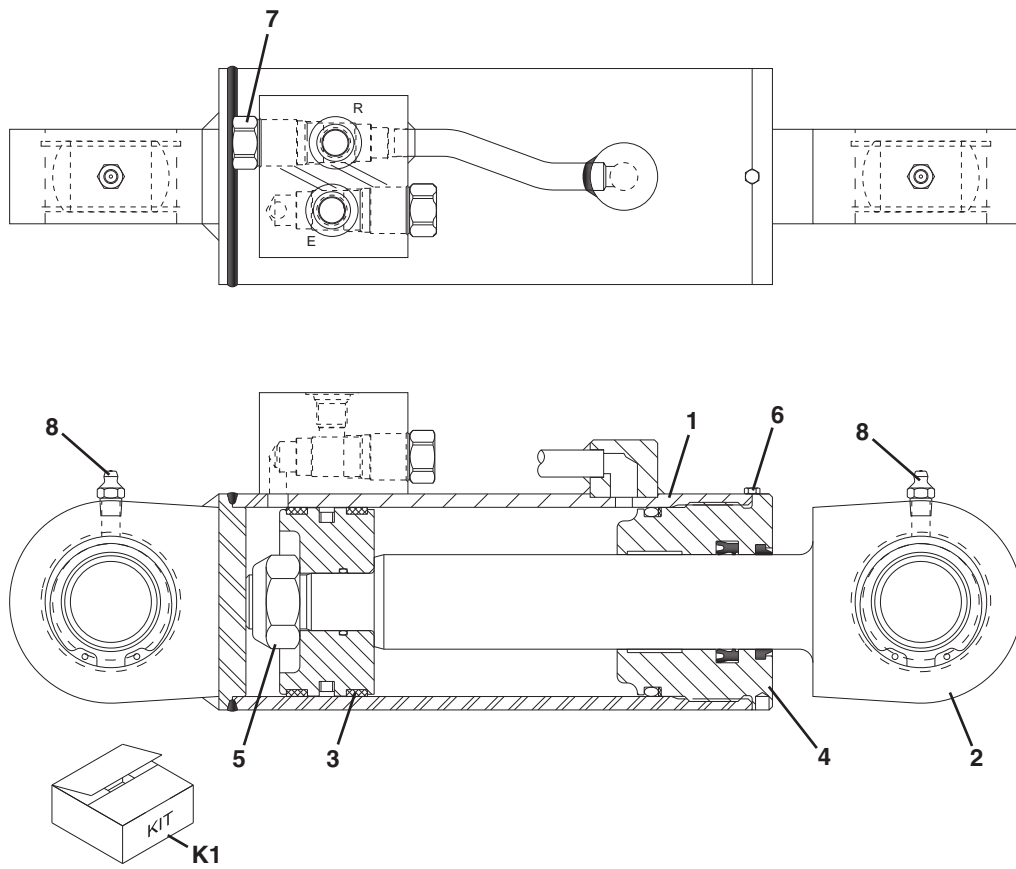
Figure 9-11 Grapple Bucket Cylinder

Item	Part Number	Qty.	Description	Rev.
	70021393	1	GRAPPLE BUCKET CYLINDER, (includes all items)	
1	70021465	1	CYLINDER TUBE	
2	70021448	2	BUSHING	
3	70021464	2	VALVE CARTRIDGE	
4	90554045	2	GREASE FITTING	
5	70021440	1	HEX NUT	
6	Use Kit K1	1	PISTON RING	
7	Use Kit K1	1	O-RING	
8	70021451	1	PISTON	
9	Use Kit K1	1	O-RING	
10	70021444	1	WASHER	
11	Use Kit K1	1	O-RING	
12	Use Kit K1	1	BACK-UP WASHER	
13	Use Kit K1	1	O-RING	
14	70021446	1	CYLINDER GLAND	
15	Use Kit K1	1	POLY-PAK SEAL	
16	Use Kit K1	1	ROD WIPER	
17	70021466	1	PISTON ROD	
18	70021447	1	BUSHING	
K1	70021452	1	SEAL KIT, (includes items 6, 7, 9, 11 thru 13, 15 & 16)	



# HYDRAULIC COMPONENTS

Figure 9-12 Side Tilt Carriage Cylinder



PY1581



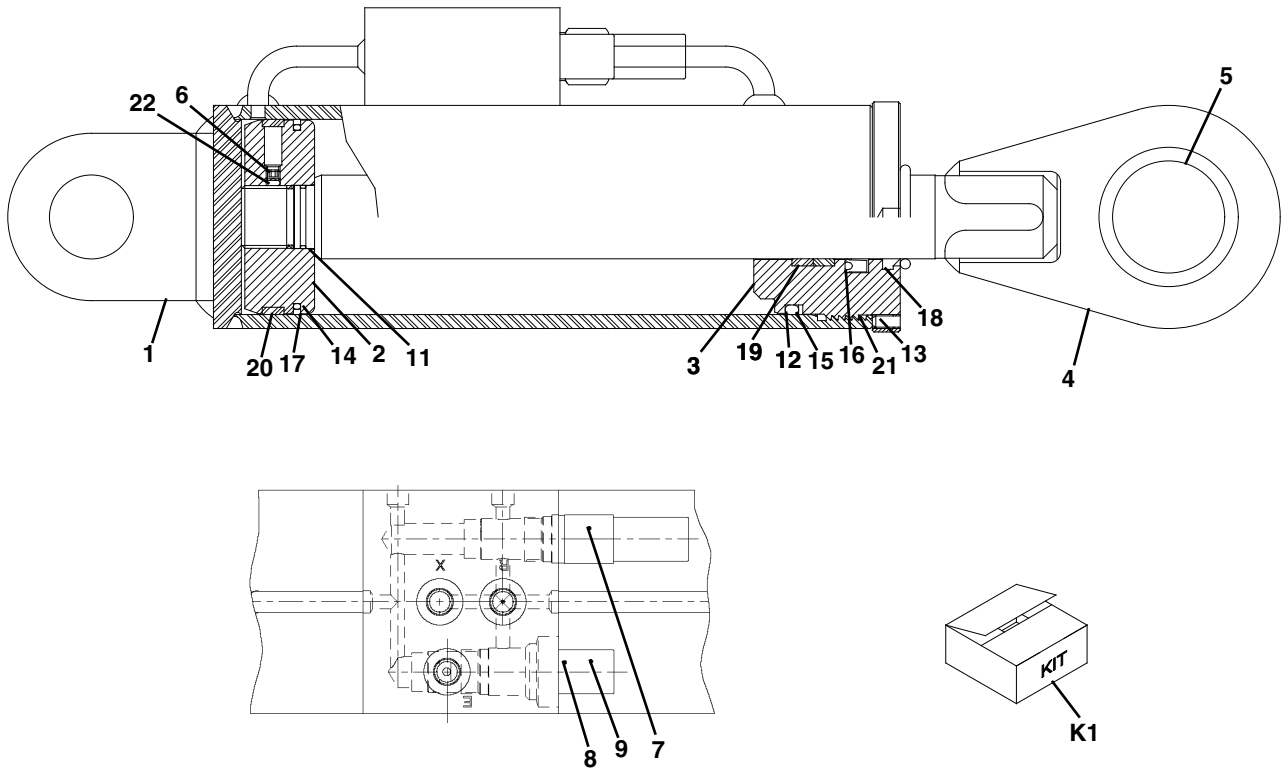
Figure 9-12 Side Tilt Carriage Cylinder

Item	Part Number	Qty.	Description	Rev.
	1001090134	1	SIDE TILT CARRIAGE CYLINDER, (includes all items)	B
1	70022038	1	BARREL ASSY	
2	70022039	1	ROD ASSY	
3	70022040	1	PISTON	
	70022042	1	SEAL KIT	
4	70021908	1	ROD BEARING	
	70022043	1	SEAL KIT	
5	90022230	1	HEX NUT	
6	7029760	1	CAPSCREW	
7	4640438	2	CHECK VALVE	
	2900770	1	SEAL KIT	
8	91044080	2	GREASE FITTING	
K1	70022041	1	SEAL KIT, (contains 70022042 & 70022043)	



# HYDRAULIC COMPONENTS

Figure 9-13 72 In 90 Degree Swing Carriage Cylinder



PAP11180



Figure 9-13 72 In 90 Degree Swing Carriage Cylinder

Item	Part Number	Qty.	Description	Rev.
	1001103182	1	SWING CARRIAGE CYLINDER, (includes items 1 thru 22)	B
1	70022044	1	TUBE ASSY	
2	8035863	1	PISTON	
3	8035862	1	HEAD GLAND	
4	70022045	1	ROD ASSY	
5	70022046	1	BEARING	
6	8035536	2	SET SCREW, 5/16-18X1/2	
7	70020428	1	RELIEF VALVE, (preset to 2000 psi)	
	7024574	1	SEAL KIT	
8	8033786	1	COUNTER BALANCE VALVE, (preset to 3000 psi)	
	8205655	1	SEAL KIT	
9	70021812	1	TAMPERPROOF CAP	
11	Use Kit K1	1	O-RING	
12	Use Kit K1	1	O-RING	
13	Use Kit K1	1	O-RING	
14	Use Kit K1	1	SQUARE RING	
15	Use Kit K1	1	BACKUP RING	
16	Use Kit K1	1	SEAL	
17	Use Kit K1	1	PISTON SEAL	
18	Use Kit K1	1	ROD WIPER	
19	Use Kit K1	2	WEARBAND	
20	Use Kit K1	1	WEARBAND	
21	Use Kit K1	2	INSERT	
22	Use Kit K1	2	INSERT	
K1	2915023	1	SEAL KIT, (includes items 11 thru 22)	





Figure 9-14 Brake Valve

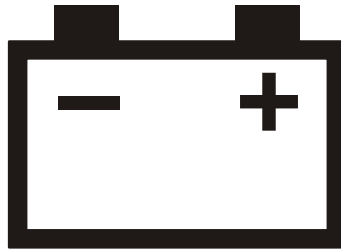
Item	Part Number	Qty.	Description	Rev.
	1001094284	Ref	POWER BRAKE VALVE, (no longer available, order 1001106845 for replacement or see items 1 thru 15 for service)	C
	1001106845	1	POWER BRAKE VALVE, (information not available at the time of publication)	B
1	91474454	1	BOLT	
2	91474442	2	PIN	
3	70023037	2	PIN	
4	70023038	2	POPPET	
5	NSS	1	HOUSING	
6	91474450	4	PLUG	
7	91474434	2	PLUG	
8	91474458	1	PLUG	
9	91474456	1	SPOOL	
10	91474455	1	PISTON	
11	91474447	1	PISTON	
12	91474443	1	PLUG	
13	91474446	1	SEAT	
14	70020680	1	PLUG	
15	91474459	1	PLUG	
K1	70024044	1	PREFILL PISTON KIT	
K2	70024045	1	COVERS KIT	
K3	70024046	1	SEAL KIT	
K4	70024047	1	MAKE-UP CHECK KIT	
K5	70024048	1	INLET CHECK KIT	
K6	70024049	1	HARDWARE KIT	
K7	70024050	1	WORKPORT ORIFICE KIT	



## HYDRAULIC COMPONENTS

**This Page Intentionally Left Blank**

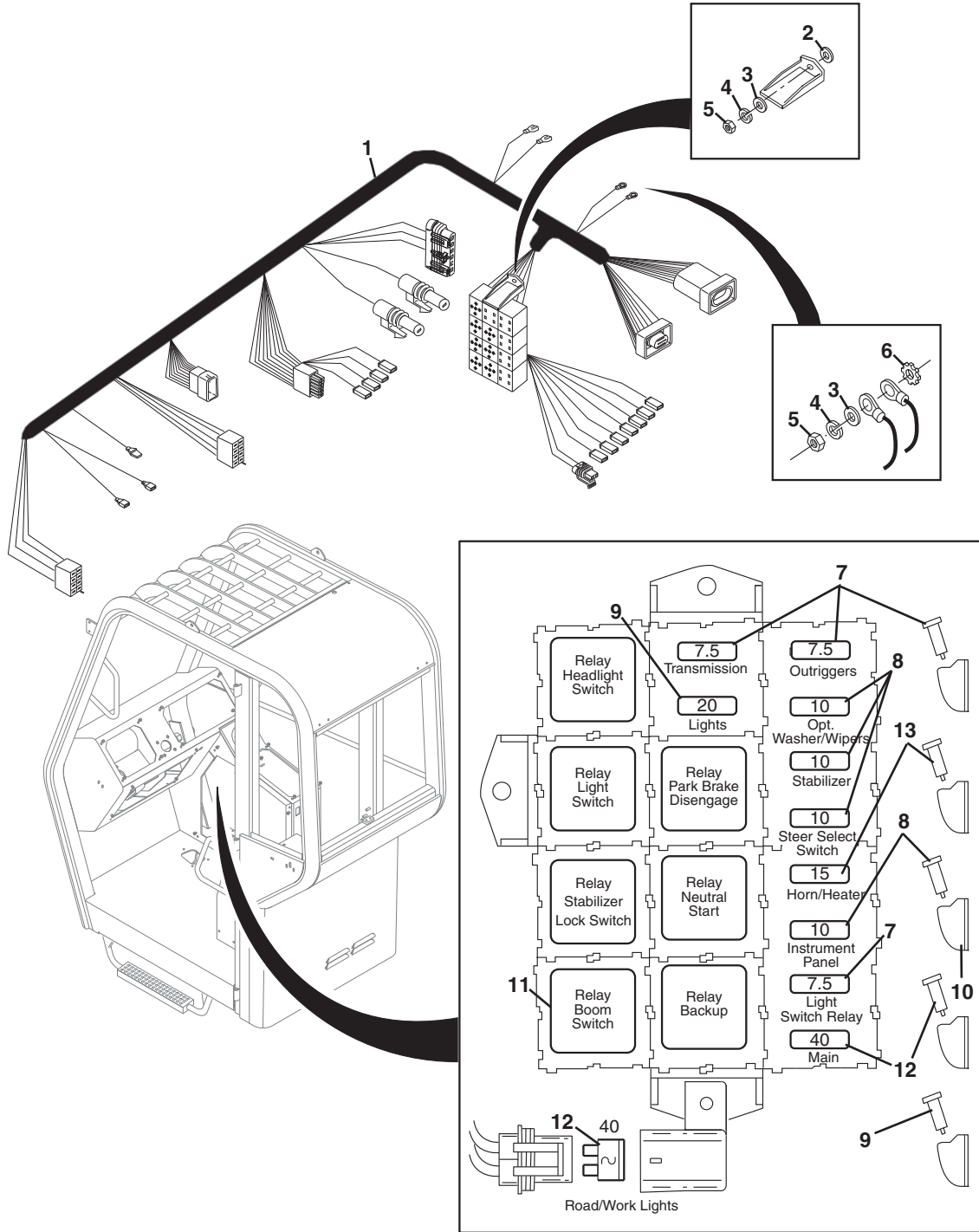
# SECTION 10 ELECTRICAL

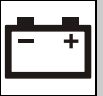




ELECTRICAL

Figure 10-1 Cab Harness





**Figure 10-1 Cab Harness**

Item	Part Number	Qty.	Description	Rev.
1	7301818	1	CAB HARNESS	E
2	8307106	3	FLAT WASHER, 5/16	
3	8307111	4	FLAT WASHER, #10	
4	8307003	4	LOCKWASHER, #10	
5	8305002	4	HEX NUT, #10-24 NC	
6	8307027	1	LOCKWASHER, 5/16, (external tooth)	
7	8229233	4	FUSE, 7.5 AMP, (Tan)	
8	8229234	5	FUSE, 10 AMP, (Red)	
9	8229235	2	FUSE, 20 AMP, LIGHTS, (Yellow)	
10	8582007	5	SPARE FUSE CLIP	
11	8225119	7	RELAY	
12	8229238	3	FUSE, 40 AMP, (Orange)	
13	8229237	2	FUSE, 15 AMP	



# ELECTRICAL

S/N 0160039075 & After

### Figure 10-1 Cab Harness

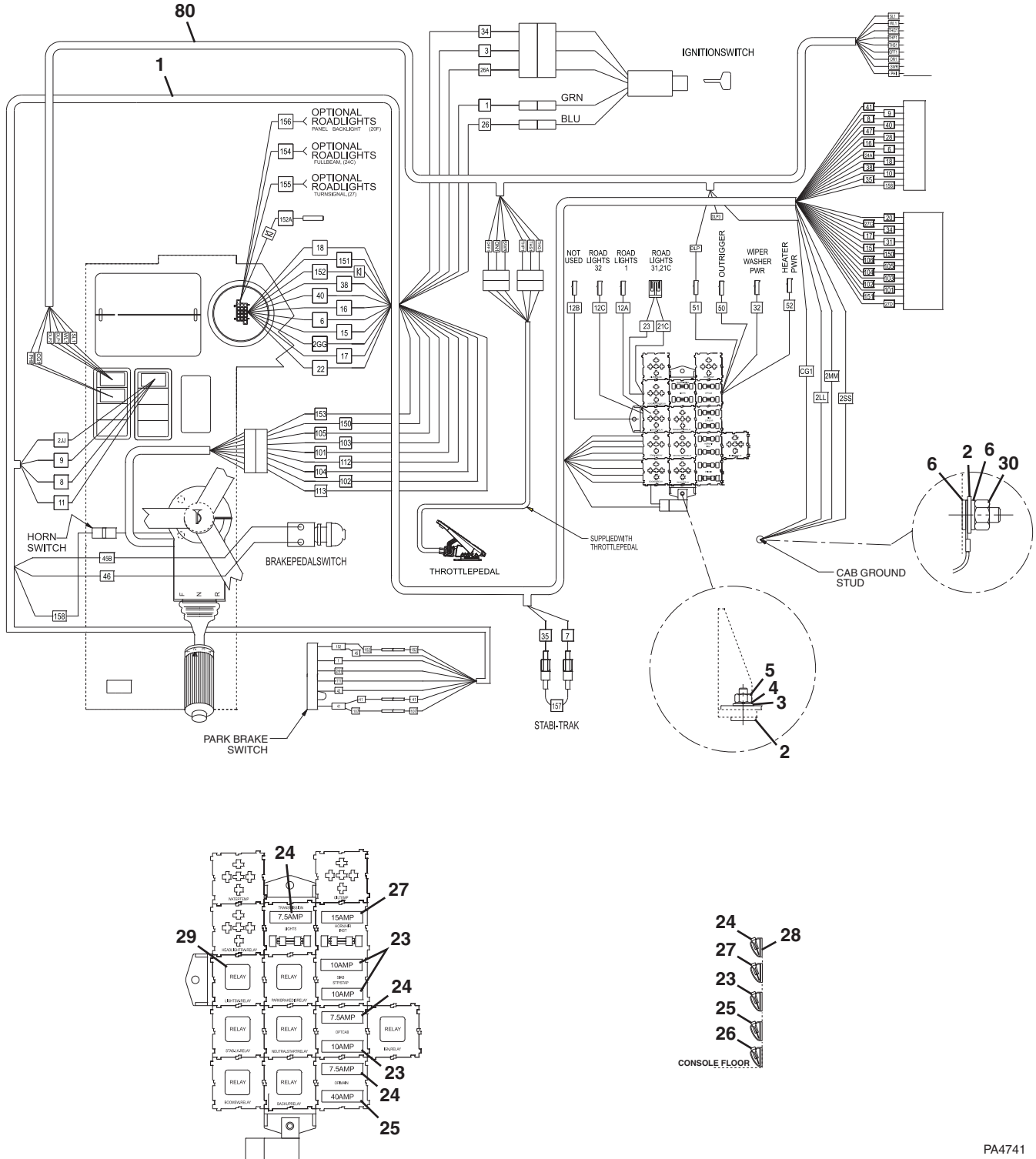
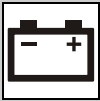




Figure 10-1 Cab Harness

Item	Part Number	Qty.	Description	Rev.
1	1001104036	1	CONSOLE & STABILIZER HARNESS	
2	8307106	4	FLAT WASHER, 5/16	
3	8307111	3	FLAT WASHER, #10	
4	8307003	3	LOCKWASHER, #10	
5	8305002	3	HEX NUT, #10-24	
6	8307027	2	LOCKWASHER, 5/16	
23	8229234	4	FUSE, 10 AMP	
24	8229233	4	FUSE, 7.5 AMP	
25	8229238	2	FUSE, 40 AMP	
26	8229235	1	FUSE, 10 AMP	
27	8229237	2	FUSE, 15 AMP	
28	8582007	5	SPARE FUSE CLIP	
29	8225119	9	SEALED RELAY	
30	8305624	3	HEX LOCKNUT, 1/4	
80	1001114579	Ref	CAB HARNESS, (no longer available, order 1001128396 for replacement)	
	1001128396	1	CAB HARNESS	



# ELECTRICAL

S/N 17019 thru 19897 &  
0160002408 thru 0160004109

### Figure 10-2 Engine Harness

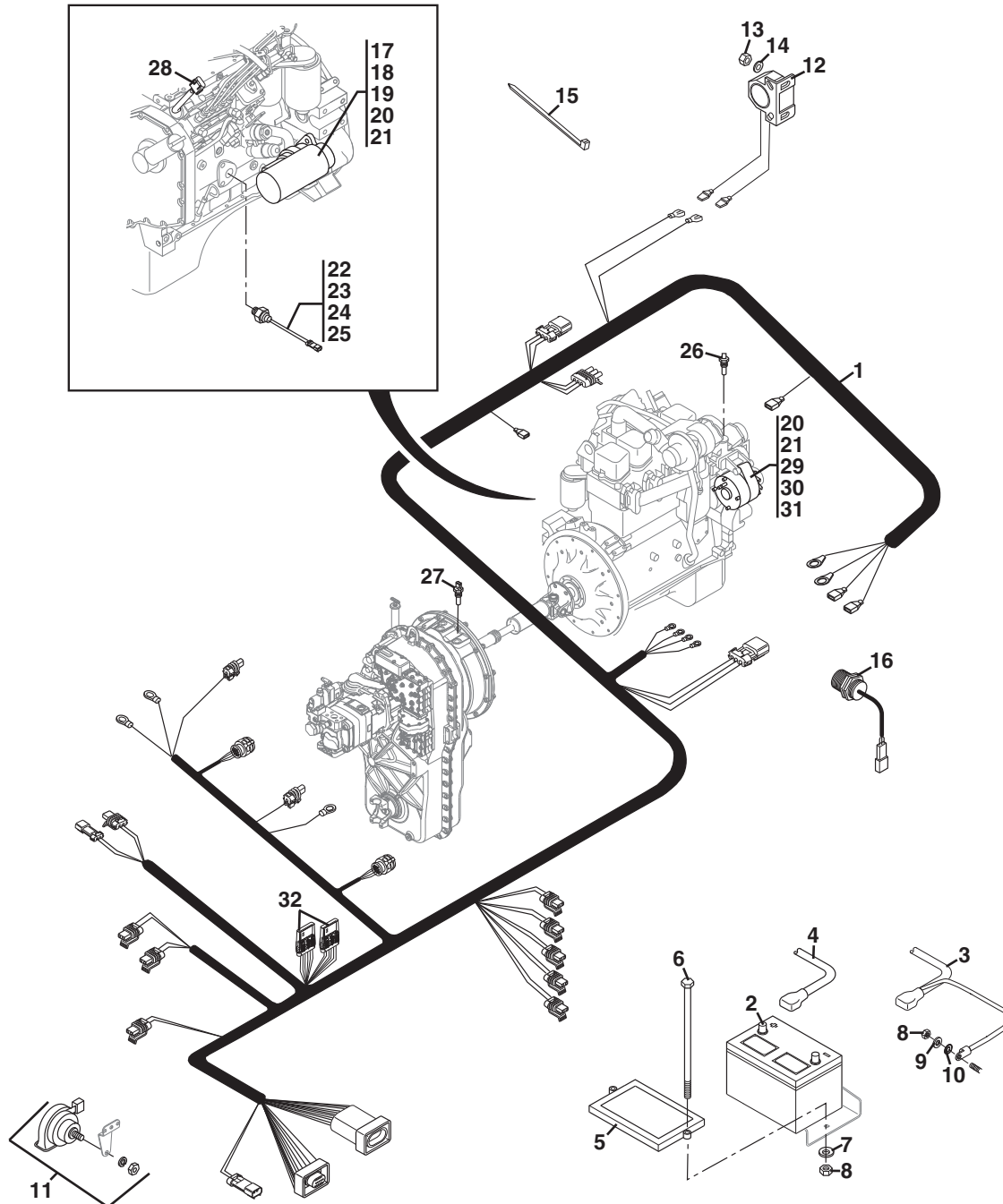
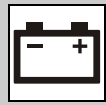




Figure 10-2 Engine Harness

Item	Part Number	Qty.	Description	Rev.
1	7150714	1	ENGINE HARNESS	L
2	8270134	1	12 VOLT BATTERY	
3	7150745	1	SINGLE BATTERY NEGATIVE CABLE	
4	7150746	1	SINGLE BATTERY POSITIVE CABLE	
5	7138830	1	BATTERY HOLD-DOWN	
6	8310344	2	HEX HD CAPSCREW, 3/8-16X10	
7	8307204	2	FLAT WASHER, 3/8	
8	8305645	3	LOCKNUT, 3/8	
9	8307112	1	FLAT WASHER, 1/2	
10	10701363	1	LOCKWASHER, 5/8, (external tooth)	
11	8270620	1	HORN, (includes mounting hardware)	
12	8270624	1	BACKUP ALARM	
13	8305004	2	HEX NUT, 1/4-20	
14	8307002	2	LOCKWASHER, 1/4	
15	8584001	AR	TY-RAP	
16	7099882	1	BOOM ANGLE SENSOR	
17		Ref	STARTER, (includes starter solenoid), (see Figure 4-1 for details)	
18	8307023	1	LOCKWASHER, M10	
19	8305438	1	HEX JAM NUT, M10	
20	8310077	3	HEX JAM NUT, M5-0.8	
21	8310078	3	LOCKWASHER, M5	
22	8223532	Ref	LOW OIL PRESSURE SENDER, (no longer available, use kit 2915063 on Figure 10-2, S/N 0160004111 thru 0160039074 for replacement)	
23	8310041	1	LOCKWASHER, #8, (external tooth)	
24	8305201	1	HEX NUT, #8-32 BRASS	
25	8220073	1	SLIP-ON MALE TERMINAL, #10 SCREW	
26	8223217	1	WATER TEMPERATURE SENDER, (S/N 17019 S/N 18340)	
	8223242	1	WATER TEMPERATURE SENDER, (S/N 18348 thru 19897 and 0160002408 thru 0160004109)	
27	8223232	1	TRANSMISSION TEMPERATURE SWITCH	
28	8035276	1	FUEL RUN SOLENOID	
29		Ref	ALTERNATOR, (see Figure 4-1 for details)	
30	8307022	1	LOCKWASHER, M8	
31	8305043	1	HEX NUT, M8-1.25	
32	8035805	2	DIODE PAC	

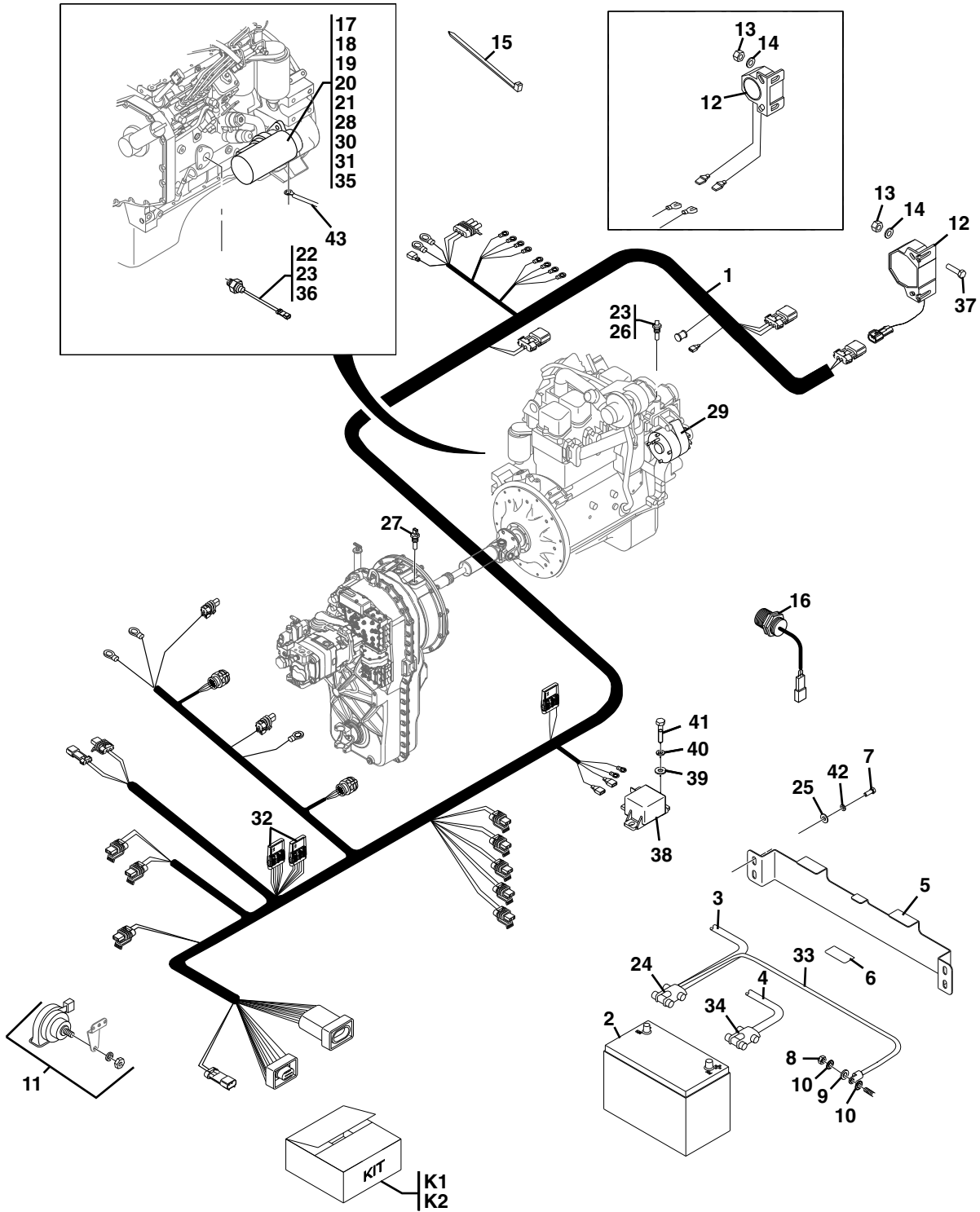


**ELECTRICAL**

S/N 0160004111 thru 0160039074

**Figure 10-2 Engine Harness**

S/N 0160004111 THRU 0160016703



PAP11161

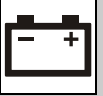


Figure 10-2 Engine Harness

Item	Part Number	Qty.	Description	Rev.
1	4922984	1	ENGINE HARNESS, (S/N 0160004111 thru S/N 0160012741)	D
	4923285	1	ENGINE HARNESS, (S/N 0160012742 thru 0160014862)	C
	4923363	1	ENGINE HARNESS, (S/N 0160014880 thru 0160039074)	C
2	8270144	1	12 VOLT BATTERY	
3	7301836	1	SINGLE BATTERY NEGATIVE CABLE	
4	7301835	1	SINGLE BATTERY POSITIVE CABLE	
5	7301859	1	BATTERY TIE DOWN SHEET	
6	7301864	2	FOAM STRIP	
7	8303620	4	HEX HD CAPSCREW, 3/8-16X1, GR5	
8	8305645	1	LOCKNUT, 3/8	
9	8307110	1	FLAT WASHER, 3/8	
10	8307026	2	LOCKWASHER, 3/8, (external tooth)	
11	8270620	1	HORN, (includes mounting hardware)	
12	8270624	Ref	BACK-UP ALARM, (S/N 0160004111 thru 0160016703), (no longer available, use kit 2915184 for replacement)	
	8270621	1	BACK-UP ALARM, (S/N 0160016726 & After)	
13	8305624	2	HEX LOCKNUT, 1/4	
14	4711400	2	WASHER, 1/4	
15	8584001	AR	TY-RAP	
16	7099882	1	BOOM ANGLE SENSOR	
17		Ref	STARTER, (includes starter solenoid), (see Figure 4-1 for details)	
18	7300344	1	BUSS BAR	
19	8303533	1	HEX HD CAPSCREW, M12X1.75X20mm, PC8.8	
20	8307220	1	PLAIN WASHER, M12	
21	8310650	1	LOCKWASHER, M12	
22	8223532	Ref	LOW OIL PRESSURE SENDER, (S/N 0160004111 thru S/N 0160012741), (no longer available, use kit 2915063 for replacement)	
	4360609	1	LOW OIL PRESSURE SENDER, (S/N 0160012742 thru 0160039074)	
23	8220073	2	TAB FASTON TERMINAL	
24	8270147	1	NEGATIVE BATTERY CLAMP	
25	8307204	4	PLAIN WASHER, 3/8	
26	8223244	1	WATER TEMPERATURE SENDER	
27	8223232	1	TRANSMISSION TEMPERATURE SWITCH	
28	8305038	2	HEX NUT, M10	
29		Ref	ALTERNATOR, (see Figure 4-1 for details)	
30	8303777	2	HEX HD CAPSCREW, M10X1.5X35mm, PC8.8	
31	8307221	4	PLAIN WASHER, M10	
32	8220366	3	DIODE PAC	
33	4923018	1	FRAME GROUND CABLE	
34	8270148	1	POSITIVE BATTERY CLAMP	
35	8307023	2	LOCKWASHER, M10	
36	4923283	1	PRESSURE SWITCH JUMPER, (S/N 0160012742 thru 0160039074)	
37	0641406	2	HEX HD CAPSCREW, 1/4-20X3/4, (S/N 0160016726 & After)	
38	77383377	1	STARTER RELAY, (S/N 0160014880 & After)	
39	4711400	2	WASHER, 1/4, (S/N 0160014880 & After)	
40	8307002	2	LOCKWASHER, 1/4, (S/N 0160014880 & After)	
41	0641410	2	HEX HD CAPSCREW, 1/4-20X1-1/4, (S/N 0160014880 & After)	
42	8307005	4	LOCKWASHER, 3/8	
43	7310012	1	FUSIBLE LINK ASSY	

**ELECTRICAL****Figure 10-2 Engine Harness (Continued)**

<b>Item</b>	<b>Part Number</b>	<b>Qty.</b>	<b>Description</b>	<b>Rev.</b>
K1	2915063	1	PRESSURE SWITCH KIT, (includes items 22 & 36)	
K2	2915184	1	BACK-UP ALARM SERVICE KIT, (includes items 12 thru 14, 37, mounting bar, 3576433 & butt connectors, 86683480)	

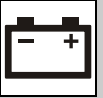
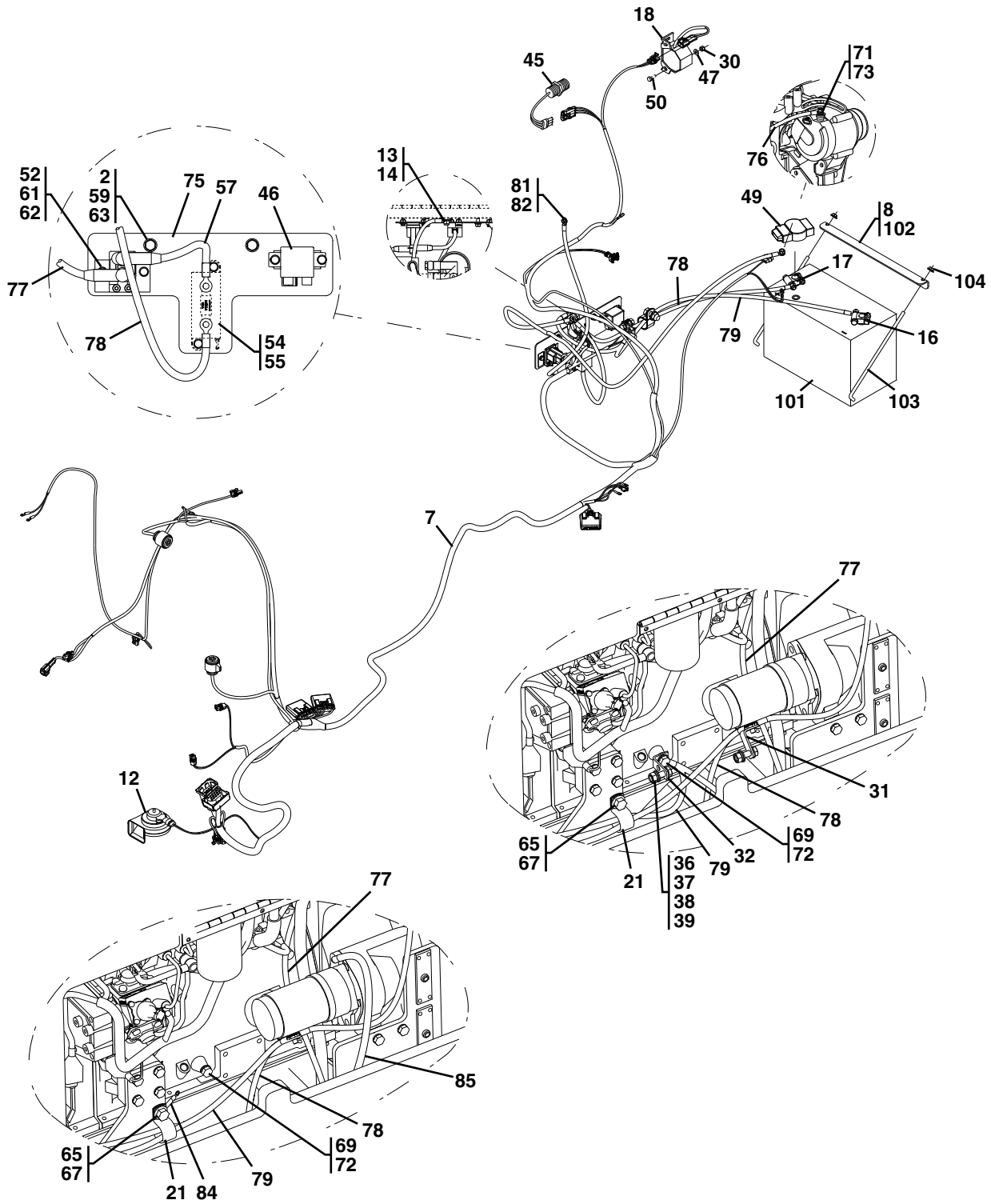


Figure 10-2 Engine Harness (Continued)

Item	Part Number	Qty.	Description	Rev.



Figure 10-2 Engine Harness



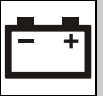


Figure 10-2 Engine Harness

Item	Part Number	Qty.	Description	Rev.
2	8307106	2	WASHER, 5/16	B
7	1001128397	1	ENGINE HARNESS	
8	1001108206	1	BATTERY HOLD DOWN INSTALLATION, (includes items 101 thru 104)	
12	8270620	1	HORN	
13	8305645	1	LOCKNUT, 3/8	
14	8307110	1	FLAT WASHER, 3/8	
16	8270147	1	BATTERY CLAMP, NEGATIVE	
17	8270148	1	BATTERY CLAMP, POSITIVE	
18	8270621	1	BACK UP ALARM	
21	8406302	2	HOSE CLAMP	
30	8305624	3	HEX LOCKNUT, 1/4-20	
31	6621412	1	STARTER TERMINAL, <b>(Before S/N 0160041320 excluding 0160040970)</b>	
32	7300344	1	BUSS BAR, <b>(Before S/N 0160041320 excluding 0160040970)</b>	
36	8303777	2	HEX HD CAPSCREW, 10X1-1/2X35mm, <b>(Before S/N 0160041320 excluding 0160040970)</b>	
37	8307221	4	WASHER, 10mm, <b>(Before S/N 0160041320 excluding 0160040970)</b>	
38	8307023	2	LOCKWASHER, 10mm, <b>(Before S/N 0160041320 excluding 0160040970)</b>	
39	8305038	2	HEX NUT, 10mm, <b>(Before S/N 0160041320 excluding 0160040970)</b>	
45	7099882	Ref	BOOM ANGLE SENSOR, (no longer available, use 1001130307 for replacement)	
	1001130307	1	BOOM ANGLE SENSOR	
46	77383377	1	RELAY, 75 AMP	
47	4711400	2	WASHER, 1/4	
49	7301893	1	BATTERY TERMINAL INSULATOR	
50	0641406	2	HEX HD CAPSCREW, 1/4-20X3/4, GR5	
52	1001117308	1	GRID HEATER RELAY	
54	1001118245	1	FUSE	
55	8229260	1	FUSEBLOCK	
57	1001118129	1	GRID HEATER CABLE, (fuse relay)	
59	8303745	2	HEX HD CAPSCREW, 5/16-18X5/8, GR5	
61	8307219	6	WASHER, 6mm	
62	8303545	6	HEX HD CAPSCREW, 6X1.0X16mm	
63	8307004	2	LOCKWASHER, 5/16	
65	0791810	1	WHIZ-LOCK SCREW, 1/2-13X1-1/4	
67	8310523	1	WHIZ-LOCK NUT, 1/2-13	
69	0761012	1	HEX HD CAPSCREW, 10X25mm, GR8.8	
71	3290801	1	HEX NUT, 8X1-1/4mm	
72	4812000	1	WASHER, 10mm	
73	4831900	1	SPRING LOCKWASHER, 8mm	
75	1001114671	1	RELAY MOUNT BRACKET	
76	1001114480	1	CABLE, (alternator - starter)	
77	1001118107	1	GRID HEATER CABLE	
78	1001114482	1	BATTERY CABLE, (positive)	
79	1001114483	1	BATTERY CABLE, (negative), <b>(Before S/N 0160041392 excluding 0160040970 &amp; 0160041334)</b>	
	1001128663	1	BATTERY CABLE, (negative), <b>(S/N 0160041392 &amp; After including 0160040970 &amp; 0160041334)</b>	
81	3290601	1	HEX NUT, 6X1mm	
82	4831700	1	SPRING LOCKWASHER, 6mm	

**ELECTRICAL****Figure 10-2 Engine Harness (Continued)**

Item	Part Number	Qty.	Description	Rev.
84	1001128665	1	CABLE ENGINE BLOCK GND, (S/N 0160041320 & After including 0160040970)	
85	1001128666	1	CABLE STARTER GND, (S/N 0160041320 & After including 0160040970)	
101	1001101043	1	BATTERY, 12 VOLT	
102	91401281	1	BATTERY HOLD DOWN BRACKET	
103	91081640	2	BATTERY HOLD DOWN BOLT	
104	77143006	2	WHIZ-LOK NUT, 5/16-18	

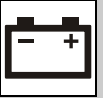
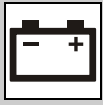


Figure 10-2 Engine Harness (Continued)

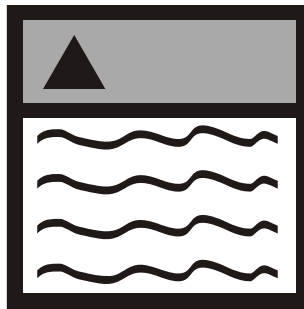
Item	Part Number	Qty.	Description	Rev.



**ELECTRICAL**

**This Page Intentionally Left Blank**

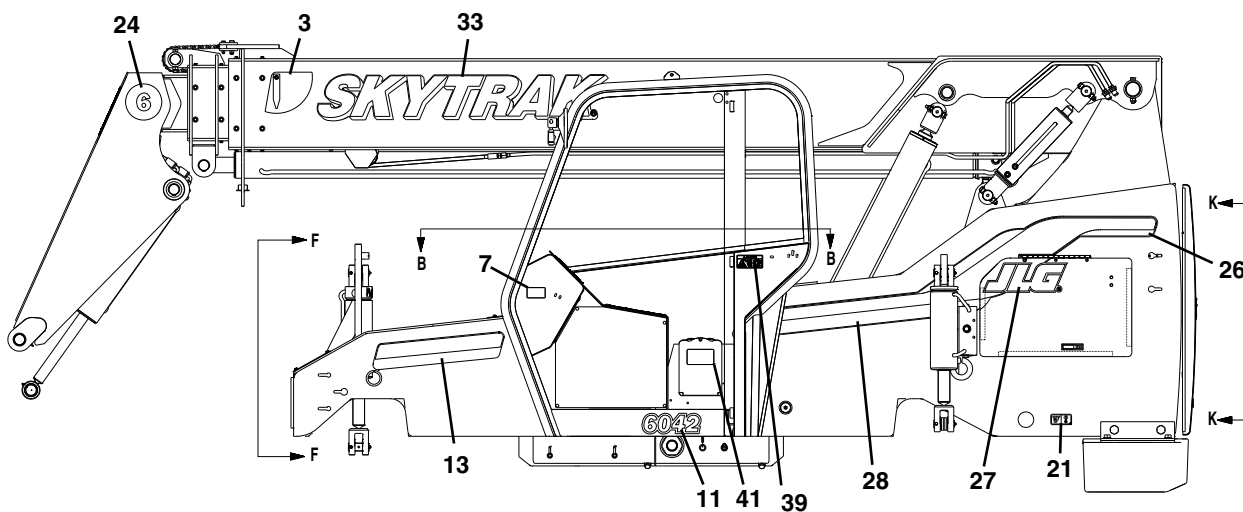
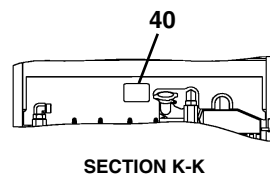
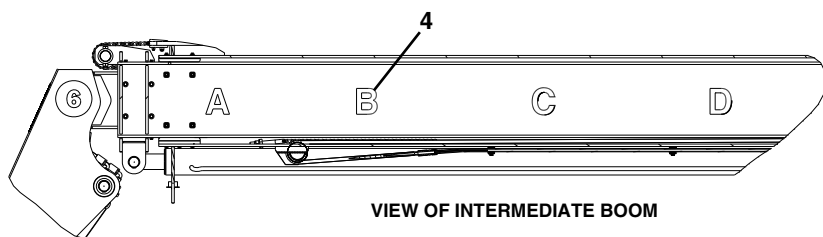
# SECTION 11 DECALS



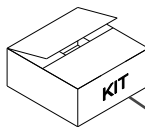
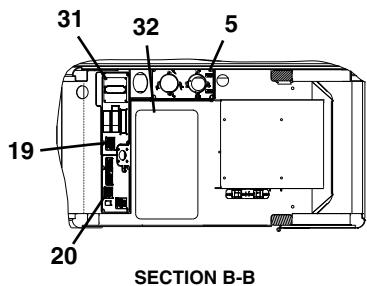


# DECALS

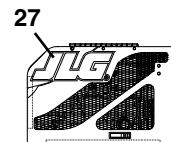
### Figure 11-1 Decals



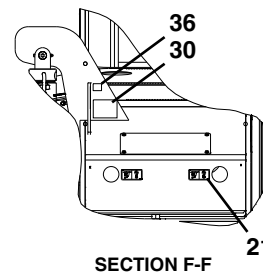
SEE FIGURE 6-1 FOR LOAD CHART HOLDER



- K1
- K2
- K3
- K4
- K5
- K6
- K7
- K8
- K9
- K10



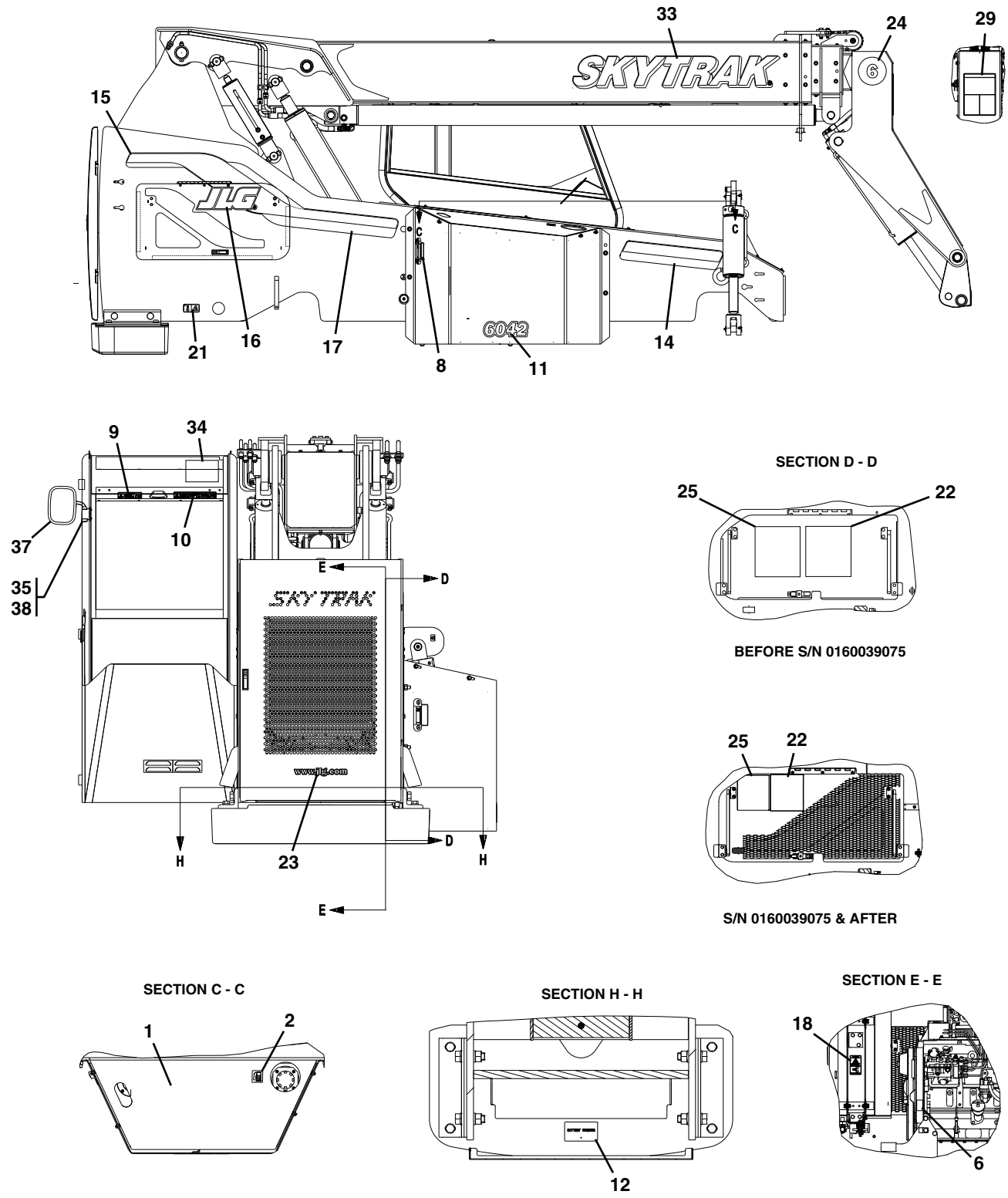
S/N 0160039075 & AFTER



PAP11101



Figure 11-1 Decals (Continued)



PAP11130



## DECALS

Figure 11-1 Decals

Item	Part Number	Qty.	Description	Rev.
1	4100181	1	HYDRAULIC OIL FILL DECAL	
2	4105171	1	DIESEL FUEL FILL DECAL	
3	4105262	1	BOOM ANGLE INDICATOR DECAL	
4	4107442	1	BOOM EXTEND LETTERS DECAL	
5	4107462	1	SIDE CONSOLE DECAL	
6	4107901	1	ENGINE IDLE SETTING DECAL	
7	3251813	1	USA DECAL	
8	4108302	1	HYDRAULIC OIL LEVEL DECAL	
9	1706299	1	ELECTROCUTION HAZARD DECAL, (ANSI)	
	1706284	1	ELECTROCUTION HAZARD DECAL, (ISO)	
10	1706306	1	TIP HAZARD DECAL, (ANSI)	
	1706288	1	TIP HAZARD DECAL, (ISO)	
11	1706172	2	6042 MODEL NUMBER DECAL	
12	1706296	1	BATTERY WARNING DECAL, (ANSI)	
	1706281	1	BATTERY WARNING DECAL, (ISO)	
13	4110176	1	FRONT FRAME STRIPE LH SIDE DECAL	
14	4110177	1	FRONT FRAME STRIPE RH SIDE DECAL	
15	4110179	1	REAR FRAME STRIP RH SIDE DECAL	
16	1706203	1	RH ENGINE DOOR STRIPE DECAL	
17	4110183	1	MID FRAME RH SIDE STRIPE DECAL	
18	1706301	2	MOVING PARTS WARNING DECAL, (ANSI)	
	1706285	2	MOVING PARTS WARNING DECAL, (ISO)	
19	4110187	1	OVERLAY RH DECAL, (ANSI)	
	1001110280	1	OVERLAY RH DECAL, (ISO)	
20	4110188	1	OVERLAY LH DECAL, (ANSI)	
	1001110282	1	OVERLAY LH DECAL, (ISO)	
21	4110226	4	LIFT POINT/TIE DOWN DECAL	
22	4110339	1	MAINTENANCE CHART DECAL, (Before S/N 0160037903)	
	1001103930	1	MAINTENANCE CHART DECAL, (S/N 0160037903)	
	1001109596	1	MAINTENANCE CHART DECAL, (S/N 0160037953 & After)	
23	1704885	1	WEBSITE DECAL	
24	1706170	2	GOOSENECK DECAL, 6	
25	4110342	1	LUBRICATION CHART 6042 DECAL, (Before S/N 0160039075)	
	1001109598	1	LUBRICATION CHART 6042 DECAL, (S/N 0160039075 & After)	
26	4110362	1	LEFT REAR FRAME STRIPE DECAL	
27	1706204	1	LH ENGINE DOOR STRIPE 6042 DECAL	
28	4110364	1	MID FRAME STRIPE DECAL	
29	1706298	1	CARRY PERSONNEL DECAL, (ANSI)	
	1706282	1	CARRY PERSONNEL DECAL, (ISO)	
30	NSS	1	S/N PLATE	
31	7300719	1	NORTH AMERICA LOAD CHART BOOKLET, (S/N 17019 thru 19897 & 0160002408 thru 0160019858 excluding 0160019622, 0160019633, 0160019653 thru 0160019655 & 0160019668)	C
	1706797	1	NORTH AMERICA LOAD CHART BOOKLET, (S/N 0160019944 thru 0160037382 including 0160019622, 0160019633, 0160019653 thru 0160019655 & 0160019668)	C
	1706790	1	COVER	B
	1706791	1	STANDARD CARRIAGE	B
	1706792	1	SIDE TILT CARRIAGE	B



Figure 11-1 Decals (Continued)

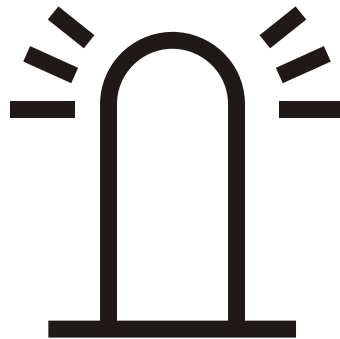
Item	Part Number	Qty.	Description	Rev.
	1706793	1	SWING CARRIAGE	B
	1706794	1	TRUSS BOOM, 12 FT	B
	1706795	1	TRUSS BOOM, 6 FT	B
	1001106013	1	NORTH AMERICA LOAD CHART BOOKLET, (ANSI), <b>(S/N 0160037788 &amp; After)</b>	4
	1001110413	1	NORTH AMERICA LOAD CHART BOOKLET SUPPLEMENT, (ANSI), <b>(S/N 0160037788 &amp; After)</b>	2
	1001127593	1	NORTH AMERICA LOAD CHART BOOKLET, (ISO), <b>(S/N 0160037788 &amp; After)</b>	A
	1001127594	1	NORTH AMERICA LOAD CHART BOOKLET SUPPLEMENT, (ISO), <b>(S/N 0160037788 &amp; After)</b>	A
32	10139087	1	ANTI SLIP ADHESIVE STRIP	
33	1706176	2	SKYTRAK BOOM DECAL	
34	91404299	1	ESCAPE DECAL	
35	0700610	2	HEX HD CAPSCREW, M6X1X20MM, PC8.8	
36	1001131271	1	PATENT TELEHANDLERS DECAL	
37	3140007	1	RECTANGULAR MIRROR	
38	1001114675	1	MIRROR MOUNT ARM ASSY	
39	1706768	1	NO RIDERS DECAL, (ANSI)	
	1001092878	1	NO RIDERS DECAL, (ISO)	
40	1001109053	1	COOLANT FILL DECAL	
41	1701640	1	MANUAL DECAL	
K1	7302189	1	UNITED RENTALS DECAL KIT	
K2	0274263	1	NATIONS RENT DECAL KIT	
K3	0274271	1	SUNSTATE DECAL KIT	
K4	0274272	1	NES DECAL KIT	
K5	0274039	1	CUSTOMER DECAL KIT	
K6	0274547	1	H&E DECAL KIT	
K7	1001120632	1	SUNBELT DECAL KIT	
K8	1001098594	1	RSC DECAL KIT	
K9	1001128530	1	HERTZ DECAL KIT	
K10	1001140699	1	LEAVITT MACH DECAL KIT	



**DECALS**

**This Page Intentionally Left Blank**

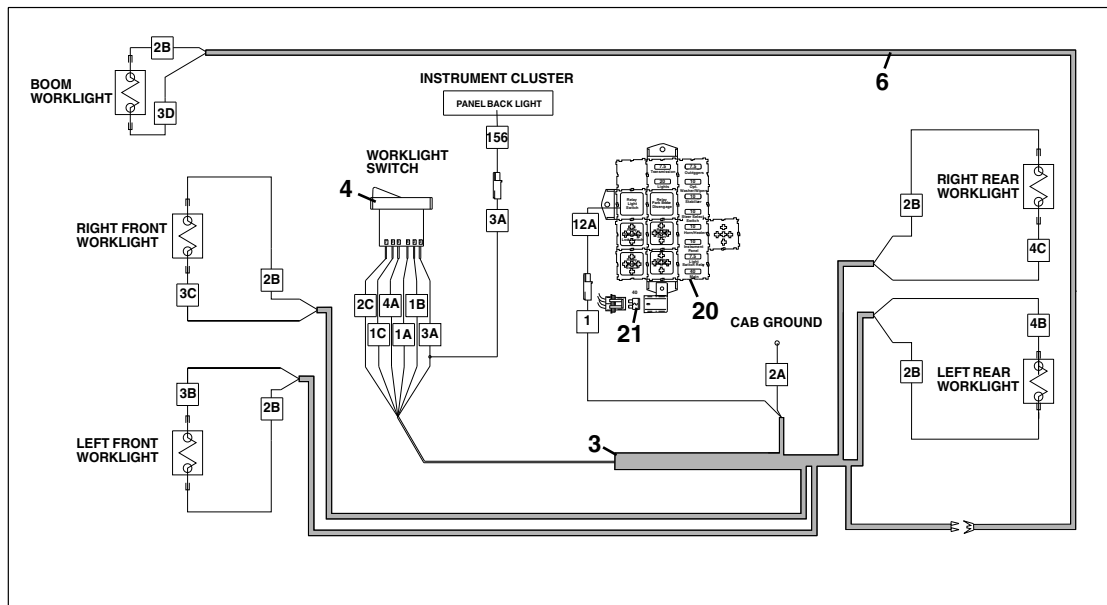
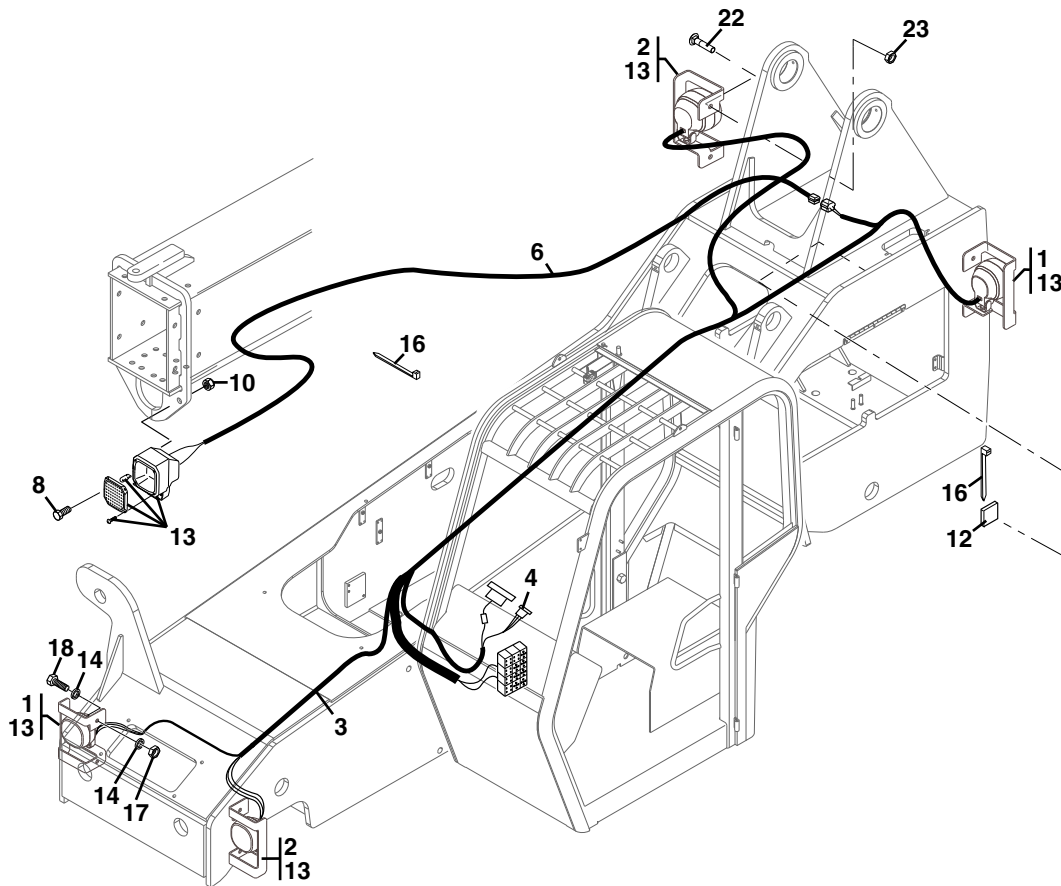
# SECTION 12 OPTIONS





# OPTIONS

## Figure 12-1 Worklight Installation



PAP3990



Figure 12-1 Worklight Installation

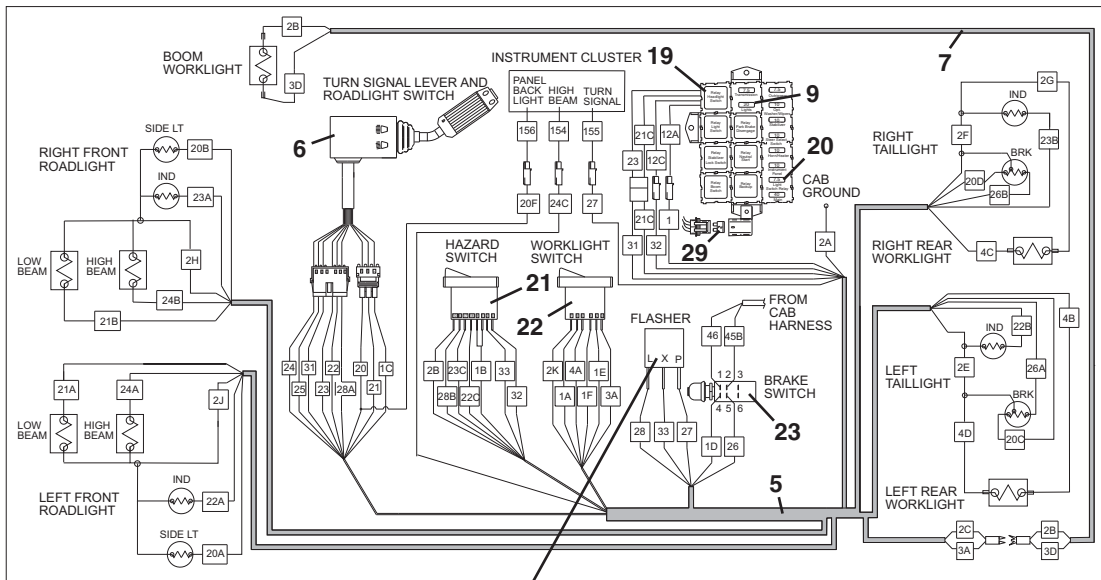
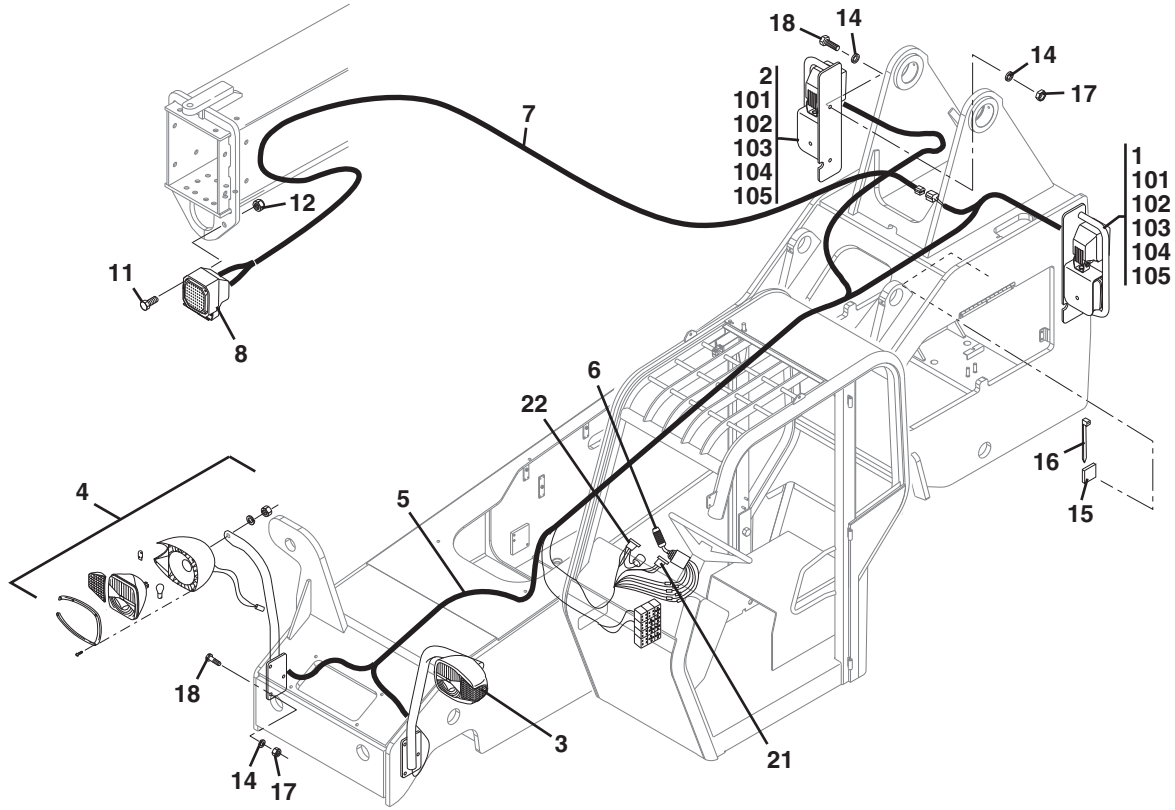
Item	Part Number	Qty.	Description	Rev.
	7150705	1	WORKLIGHT INSTALLATION, (includes all items)	I
1	7150673	2	WORKLIGHT ASSY, (front left & rear right), (includes item 13)	D
	1001097080	2	WORKLIGHT BRACKET, (front left & rear right)	
2	7150688	2	WORKLIGHT ASSY, (front right & rear left), (includes item 13)	D
	1001097079	2	WORKLIGHT BRACKET, (front right & rear left)	
3	7150707	1	WIRE HARNESS	
4	8223059	1	WORKLIGHT SWITCH	
6	7150730	1	BOOM WORKLIGHT HARNESS	
8	8303670	1	HEX HD CAPSCREW, 5/16X1	
10	8305626	1	LOCKNUT, 5/16-18	
12	8584018	2	TIE MOUNT	
13	7150687	Ref	WORKLIGHT, (S/N 14834 thru 19988 & 0160002345 thru 0160030567), (no longer available, use 1001096314 for replacement)	
	8036216	4	WORKLIGHT LENS SCREW	
	8036217	Ref	WORKLIGHT LENS, (S/N 14834 thru 19988 & 0160002345 thru 0160030567), (no longer available, use 1001096314 for replacement)	
	8036218	1	WORKLIGHT HALOGEN BULB	
	1001096314	1	WORKLIGHT, (S/N 0160030568 & After)	
14	8307204	8	FLAT WASHER, 3/8	
16	8584001	32	TY-RAP	
17	8305645	4	HEX NUT, 3/8	
18	8303622	4	HEX HD CAPSCREW, 3/8X2	
20	8229233	1	LIGHT SWITCH FUSE, 7.5 AMP, (tan)	
21	8229238	1	WORKLIGHT FUSE, 40 AMP, (orange)	
22	88411094	4	CARRIAGE BOLT, 7/16-14X2	
23	8310109	4	HEX LOCKNUT, 7/16-14	



# OPTIONS

S/N 17019 thru 19897 &  
0160002408 thru 0160015214

### Figure 12-2 Roadlight Installation



25  
26  
27  
28

PH2362



**Figure 12-2 Roadlight Installation**

Item	Part Number	Qty.	Description	Rev.
	7148700	1	ROADLIGHT INSTALLATION, (includes items 1 thru 29)	
1	7150679	1	LH ROADLIGHT ASSY, (includes items 101 thru 105)	AB
2	7150689	1	RH ROADLIGHT ASSY, (includes items 101 thru 105)	AB
3	7150699	1	LH ROADLIGHT BRACKET ASSY	
	7150685	1	LH ROADLIGHT BRACKET	
	7150702	1	FRONT ROADLIGHT	
	8036216	6	HEADLIGHT LENS SCREW	
	8036212	1	HEADLIGHT LENS	
	8036213	1	HEADLIGHT BULB, 12V 60/55W	
	8036214	1	BLINKER BULB, 12V 5W	
	8036215	1	WIRING HARNESS, (includes 6-way connector)	
	8036209	1	LEFT AMBER HEADLIGHT LENS	
4	7150716	1	RH ROADLIGHT BRACKET ASSY	
	7150717	1	RH ROADLIGHT BRACKET	
	7150703	1	FRONT ROADLIGHT	
	8036210	1	RIGHT AMBER HEADLIGHT LENS	
	8036216	6	HEADLIGHT LENS SCREW	
	8036212	1	HEADLIGHT LENS	
	8036213	1	HEADLIGHT BULB, 12V, 60/55W	
	8036214	1	BLINKER BULB, 12V, 5W	
	8036215	1	WIRING HARNESS, (includes 6-way connector)	
5	4923649	1	WIRE HARNESS	
6	7150742	1	TURN SIGNAL LEVER	
7	7150730	1	WORKLIGHT HARNESS	
8	7150687	Ref	WORKLIGHT, (no longer available, use 1001096314 on Figure 12-2, S/N 0160015215 & After for replacement)	
	8036216	4	WORKLIGHT LENS SCREW	
	8036217	Ref	WORKLIGHT LENS, (no longer available, use 1001096314 on Figure 12-2, S/N 0160015215 & After for replacement)	
	8036218	1	WORKLIGHT HALOGEN BULB, 12V	
9	8229236	1	FUSE, 20AMP	
11	8303670	1	HEX HD CAPSCREW, 5/16-18X1, GR8	
12	8305626	1	HEX LOCKNUT, 5/16-18	
14	8307204	14	FLAT WASHER, 3/8	
15	8584018	2	TIE MOUNT	
16	8584001	32	TY-RAP	
17	8305645	10	HEX LOCKNUT, 3/8	
18	8303622	10	HEX HD CAPSCREW, 3/8X2	
19	8225119	1	RELAY	
20	8229233	1	FUSE, 7.5AMP	
21	8223060	1	HAZARD SWITCH	
22	8223059	1	WORKLIGHT SWITCH	
23	8223057	1	BRAKE LIGHT SWITCH	
25	8500203	1	FLASHER, 12V	
26	8303835	2	SLOTTED PAN HD SCREW, #10-24X1/2	
27	8310085	2	LOCKNUT, #10-24	
28	8307111	2	WASHER, #10	
29	8229238	1	FUSE, 40AMP	
101	7150681	1	LH WORKLIGHT BRACKET ASSY	



**OPTIONS**

S/N 17019 thru 19897 &  
0160002408 thru 0160015214

**Figure 12-2 Roadlight Installation (Continued)**

Item	Part Number	Qty.	Description	Rev.
102	7150680	1	RH WORKLIGHT BRACKET ASSY	
	7150687	Ref	WORKLIGHT, (no longer available, use 1001096314 on Figure 12-2, S/N 0160015215 & After for replacement)	
	8036216	4	WORKLIGHT LENS SCREW	
	8036217	Ref	WORKLIGHT LENS, (no longer available, use 1001096314 on Figure 12-2, S/N 0160015215 & After for replacement)	
103	8036218	1	WORKLIGHT HALOGEN BULB, 12V	
	7150690	1	TAIL/INDICATOR LIGHT	
	NSS	2	TAIL LIGHT LENS SCREW	
	8036219	1	TAIL LIGHT LENS	
	8036221	1	BLINKER BULB, 12V, 21W	
	8036222	1	TAIL & BRAKE LIGHT BULB, 12V, 21/5W	
	8036220	1	WIRING HARNESS, (includes 4-way connector)	
104	8303745	1	HEX HD CAPSCREW, 5/16-18X5/8	
105	8305626	1	HEX LOCKNUT, 5/16-18	

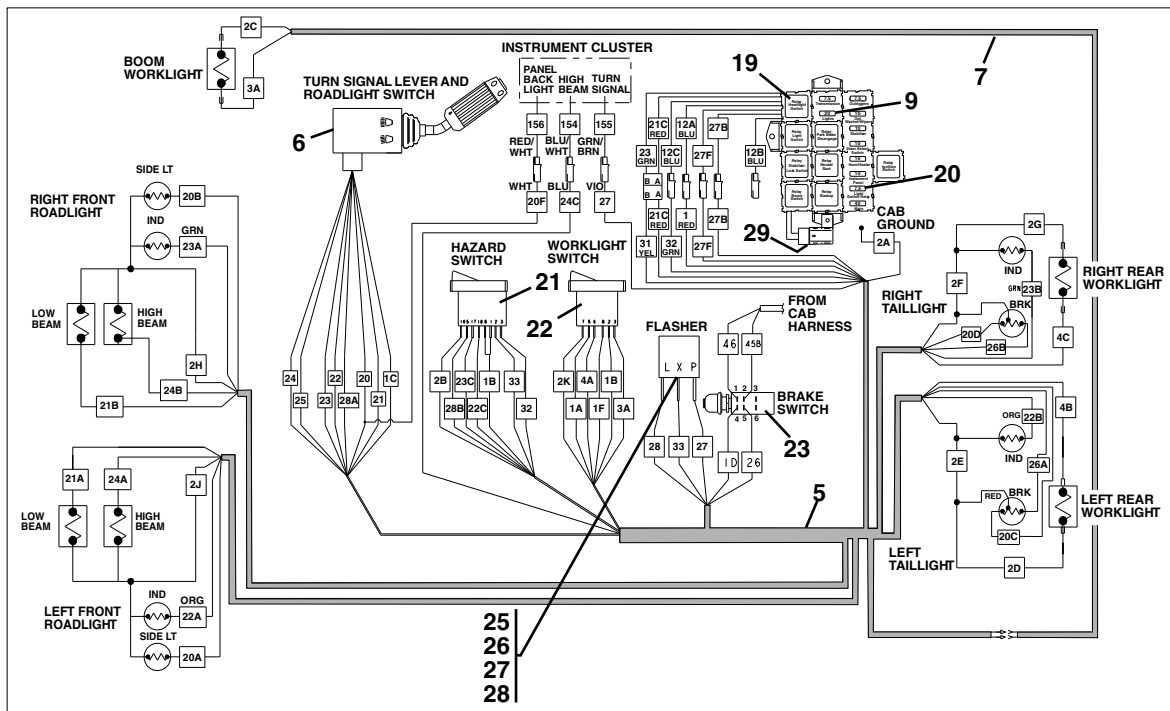
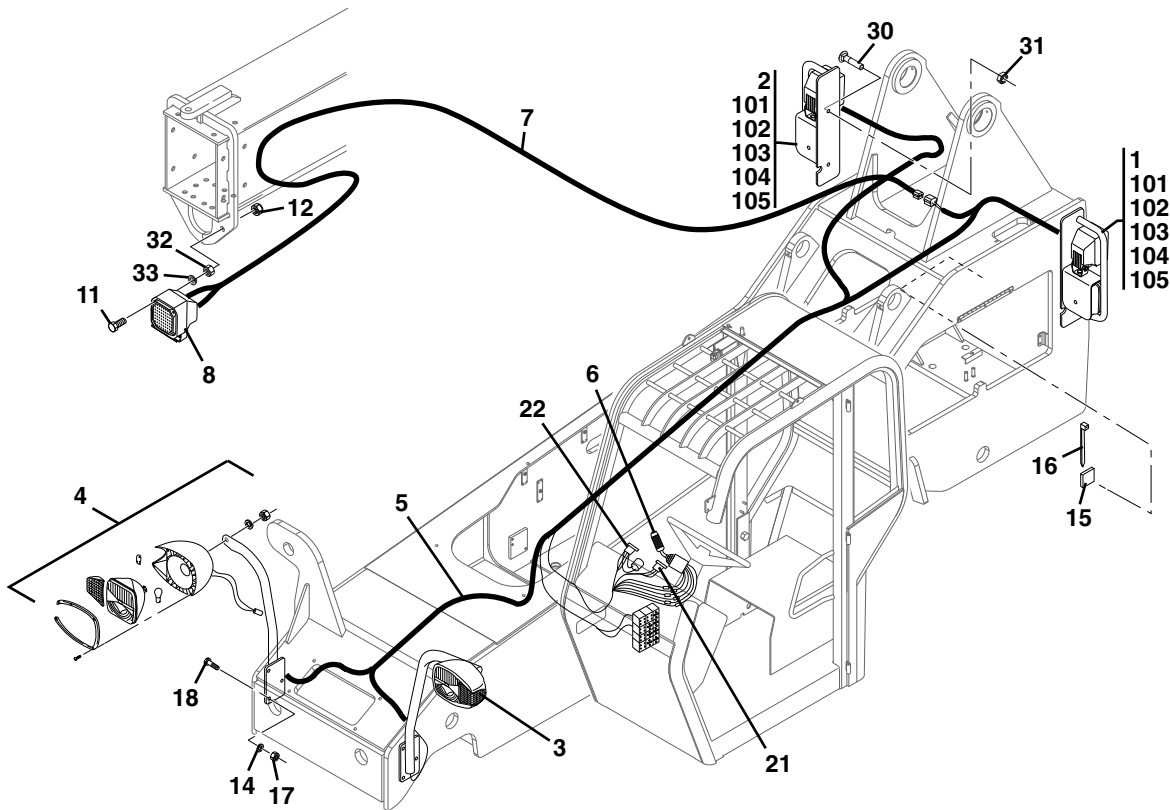


Figure 12-2 Roadlight Installation (Continued)

Item	Part Number	Qty.	Description	Rev.



Figure 12-2 Roadlight Installation



PAP9370



Figure 12-2 Roadlight Installation

Item	Part Number	Qty.	Description	Rev.
	7150704	1	ROADLIGHT INSTALLATION, (includes items 1 thru 33)	K
1	7150679	1	LH ROADLIGHT ASSY, (includes items 101 thru 105)	C
2	7150689	1	RH ROADLIGHT ASSY, (includes items 101 thru 105)	C
3	7150699	1	LH ROADLIGHT BRACKET ASSY	B
	7150685	1	LH ROADLIGHT BRACKET	
	7150702	1	FRONT ROADLIGHT	
	8036216	6	HEADLIGHT LENS SCREW	
	8036212	1	HEADLIGHT LENS	
	8036213	1	HEADLIGHT BULB, 12V 60/55W	
	8036214	1	BLINKER BULB, 12V 5W	
	8036215	1	WIRING HARNESS, (includes 6-way connector)	
	8036209	1	LEFT AMBER HEADLIGHT LENS	
4	7150716	1	RH ROADLIGHT BRACKET ASSY	B
	7150717	1	RH ROADLIGHT BRACKET	
	7150703	1	FRONT ROADLIGHT	
	8036210	1	RIGHT AMBER HEADLIGHT LENS	
	8036216	6	HEADLIGHT LENS SCREW	
	8036212	1	HEADLIGHT LENS	
	8036213	1	HEADLIGHT BULB, 12V 60/55W	
	8036214	1	BLINKER BULB, 12V 5W	
	8036215	1	WIRING HARNESS, (includes 6-way connector)	
5	7150741	1	WIRE HARNESS	I
6	8223073	1	TURN SIGNAL LEVER	
7	7150730	1	WORKLIGHT HARNESS	
8	7150687	Ref	WORKLIGHT, (S/N 14834 thru 19988 & 0160002345 thru 0160030567), (no longer available, use 1001096314 for replacement)	
	8036216	4	WORKLIGHT LENS SCREW	
	8036217	Ref	WORKLIGHT LENS, (S/N 14834 thru 19988 & 0160002345 thru 0160030567), (no longer available, use 1001096314 for replacement)	
	8036218	1	WORKLIGHT HALOGEN BULB	
	1001096314	1	WORKLIGHT, (S/N 0160030568 & After)	
9	8229235	1	FUSE, 20AMP	
11	0641511	1	HEX HD CAPSCREW, 5/16X1, GR8	
12	8305626	1	HEX LOCKNUT, 5/16-18	
14	8307204	6	FLAT WASHER, 3/8	
15	8584018	2	TIE MOUNT	
16	8584001	32	TY-WRAP	
17	8305645	6	HEX LOCKNUT, 3/8	
18	8303622	6	HEX HD CAPSCREW, 3/8X2	
19	8225119	1	RELAY	
20	8229233	1	FUSE, 7.5AMP	
21	8223060	1	HAZARD SWITCH	
22	8223059	1	WORKLIGHT SWITCH	
23	8223057	1	BRAKE LIGHT SWITCH	
25	8500203	1	FLASHER, 12V	
26	8303835	2	SLOTTED PAN HD SCREW, #10-24X1/2	
27	8310085	2	LOCKNUT, #10-24	
28	8307111	2	WASHER, #10	
29	8229238	1	FUSE, 40AMP	



## OPTIONS

Figure 12-2 Roadlight Installation (Continued)

Item	Part Number	Qty.	Description	Rev.
30	88411094	4	CARRIAGE BOLT, 7/16-14X2	
31	8310109	4	HEX LOCKNUT, 7/16-14	
32	88501005	1	HEX NUT, 5/16-18	
33	4891600	1	FLAT WASHER, 3/8	
101	7150681	1	LH WORKLIGHT BRACKET ASSY	
	7150680	1	RH WORKLIGHT BRACKET ASSY	
102	7150687	Ref	WORKLIGHT, (S/N 14834 thru 19988 & 0160002345 thru 0160030567), (no longer available, use 1001096314 for replacement)	
	8036216	4	WORKLIGHT LENS SCREW	
	8036217	Ref	WORKLIGHT LENS, (S/N 14834 thru 19988 & 0160002345 thru 0160030567), (no longer available, use 1001096314 for replacement)	
	8036218	1	WORKLIGHT HALOGEN BULB	
	1001096314	1	WORKLIGHT, (S/N 0160030568 & After)	
103	7150690	1	TAIL/INDICATOR LIGHT	
	NSS	2	TAIL LIGHT LENS SCREW	
	8036219	1	TAIL LIGHT LENS	
	8036221	1	BLINKER BULB, 12V 21W	
	8036222	1	TAIL & BRAKE LIGHT BULB, 12V 21/5W	
	8036220	1	WIRING HARNESS, (includes 4-way connector)	
104	8303745	1	HEX HD CAPSCREW, 5/16-18X5/8	
105	8305626	1	HEX LOCKNUT, 5/16-18	



Figure 12-2 Roadlight Installation (Continued)

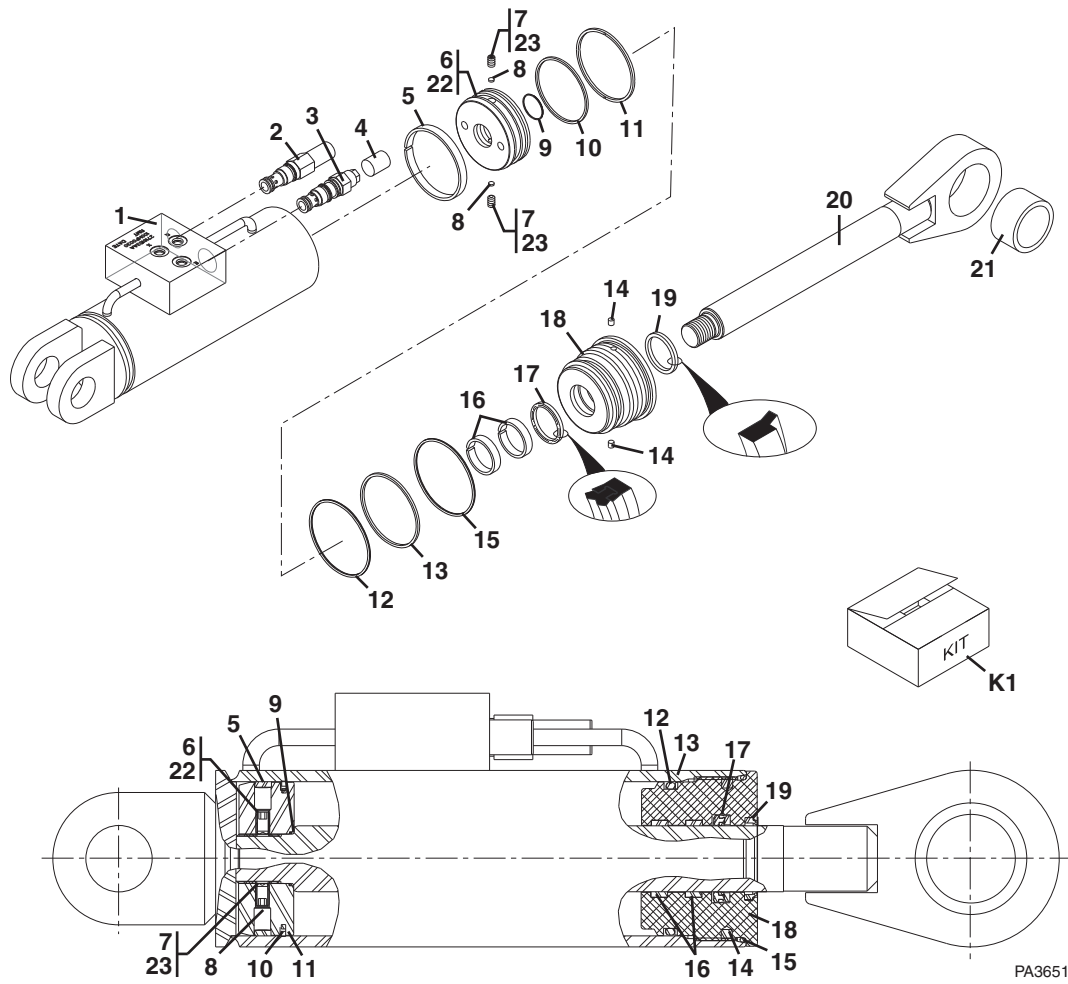
Item	Part Number	Qty.	Description	Rev.



OPTIONS

S/N 17019 thru 19238

Figure 12-3 Swing Carriage Cylinder



PA3651

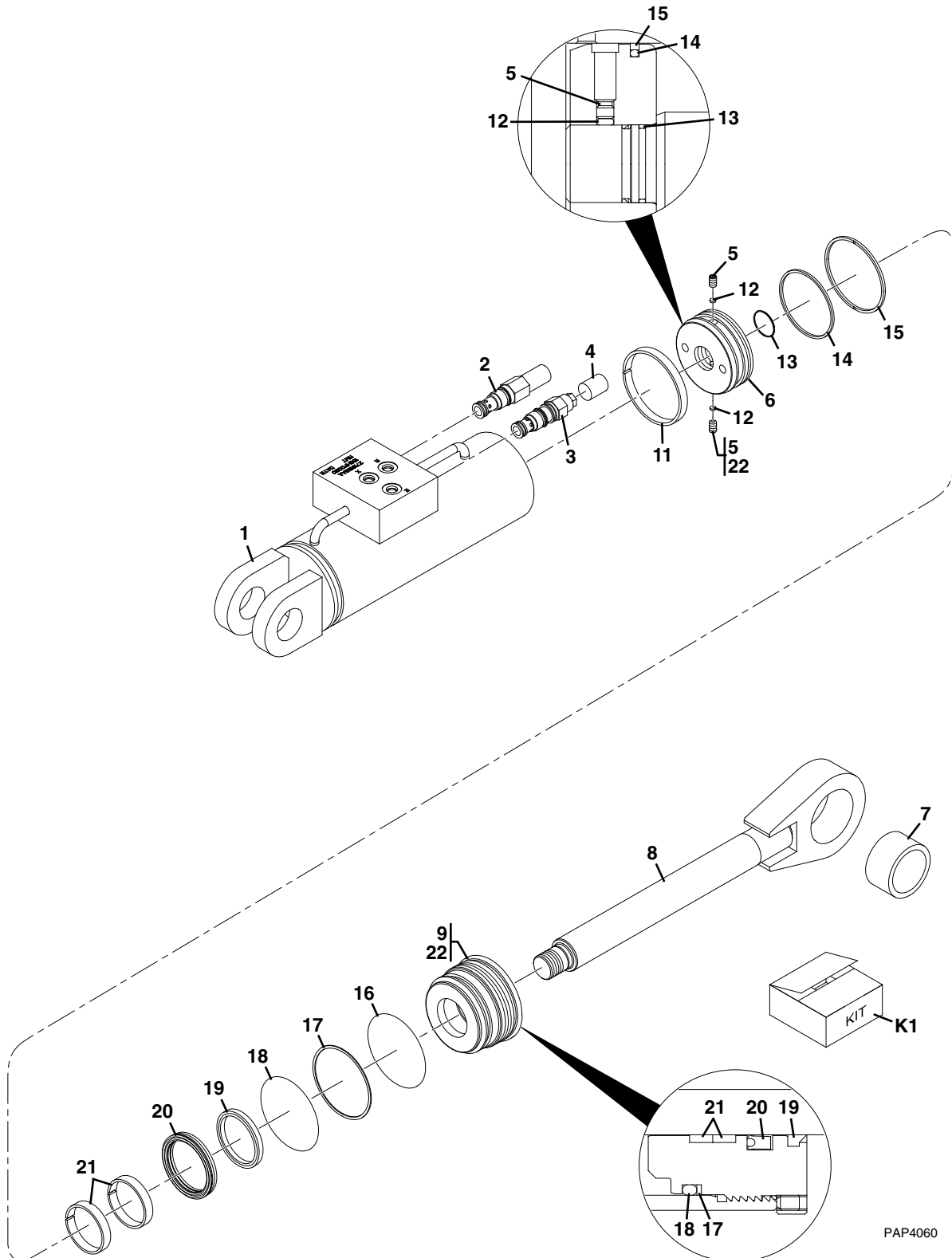


Figure 12-3 Swing Carriage Cylinder

Item	Part Number	Qty.	Description	Rev.
	2716153	1	SWING CARRIAGE CYLINDER, (includes items 1 thru 21)	AA
1	NSS	1	WELDMENT TUBE	
2	70020428	1	RELIEF VALVE CARTRIDGE, (torque to 30-35 lb-ft)	
	7024574	1	SEAL KIT	
3	8033786	1	COUNTERBALANCE VALVE, (torque to 30-35 lb-ft)	
	8025655	1	SEAL KIT	
4	NSS	1	CAP	
5	Use Kit K1	1	PRECISION WEARBAND	
6	8035863	1	PISTON, (torque to 440-500 lb-ft)	
7	8035536	2	SET SCREW, 5/16-18X.5, (torque to 85-90 lb-in)	
8	Use Kit K1	2	LOCKING INSERT	
9	Use Kit K1	1	O-RING	
10	Use Kit K1	1	SQUARE RING	
11	Use Kit K1	1	SQUARE SECTION TFE PISTON SEAL	
12	Use Kit K1	1	O-RING	
13	Use Kit K1	1	BACK-UP RING	
14	Use Kit K1	2	LOCKING INSERT	
15	Use Kit K1	1	O-RING	
16	Use Kit K1	2	PRECISION WEARBAND	
17	Use Kit K1	1	DEEP Z-SEAL	
18	8035862	1	HEAD GLAND, (torque to 250-300 lb-ft)	
19	Use Kit K1	1	WIPER SEAL	
20	8035861	1	WELDMENT ROD	
21	8065062	1	DURALON JOURNAL BEARING	
22	0100019	AR	LOCTITE® 271™, (apply to item 6)	
23	0100011	AR	LOCTITE® 242™, (apply to item 7)	
K1	8035830	1	SEAL KIT, (includes items 5, 8 thru 17, 19)	



Figure 12-3 Swing Carriage Cylinder



PAP4060



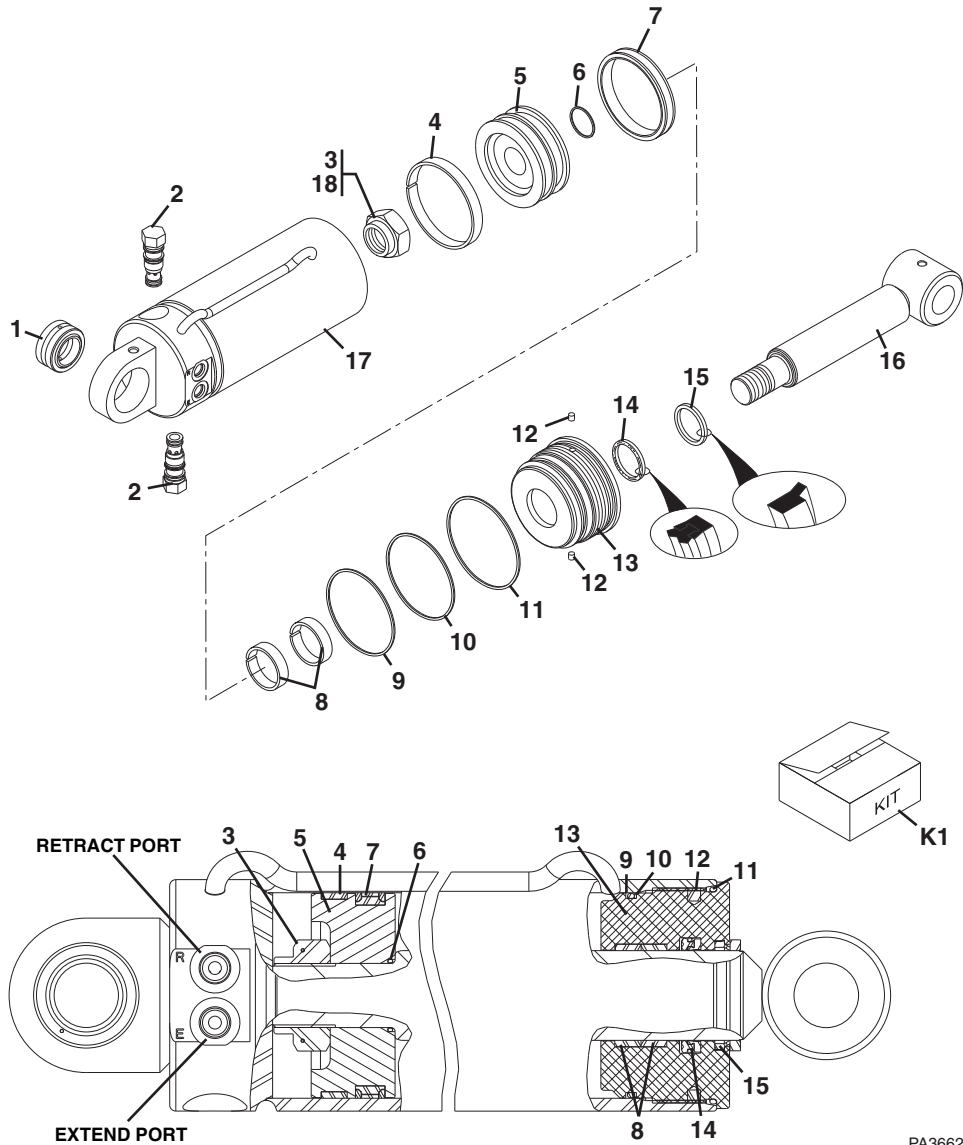
**Figure 12-3 Swing Carriage Cylinder**

Item	Part Number	Qty.	Description	Rev.
	2717200	1	SWING CARRIAGE CYLINDER, (includes items 1 thru 21)	C
1	8035864	1	TUBE WELDMENT	
2	70020428	1	RELIEF VALVE CARTRIDGE, 2000 PSI, (torque to 30-35 lb-ft)	
	7024574	1	SEAL KIT	
3	8033786	1	COUNTERBALANCE VALVE, 3000 PSI, (torque to 30-35 lb-ft)	
	8025655	1	SEAL KIT	
4	70021812	1	CAP	
5	8035536	2	SET SCREW, 1/2-20X1/4, (Loctite® & torque to 85-95 lb-ft)	
6	8035863	1	PISTON	
7	70022046	1	DURALON JOURNAL BEARING	
8	8035861	1	ROD WELDMENT	
9	8035862	1	HEAD GLAND, (Loctite® & torque to 250-350 lb-ft)	
11	Use Kit K1	1	PRECISION WEARBAND	
12	Use Kit K1	2	NYLON BALL	
13	Use Kit K1	1	O-RING	
14	Use Kit K1	1	O-RING	
15	Use Kit K1	1	PISTON SEAL	
16	Use Kit K1	1	O-RING	
17	Use Kit K1	1	BACK UP RING	
18	Use Kit K1	1	O-RING	
19	Use Kit K1	1	WIPER RING	
20	Use Kit K1	1	Z-SEAL	
21	Use Kit K1	2	PRECISION WEARBAND	
22	0100011	AR	LOCTITE® 242™, (apply to items 5 & 9)	
K1	8036783	1	SEAL KIT, (includes items 11 thru 21)	



# OPTIONS

## Figure 12-4 Side Tilt Carriage Cylinder





**Figure 12-4 Side Tilt Carriage Cylinder**

Item	Part Number	Qty.	Description	Rev.
	2716143	1	SIDE TILT CARRIAGE CYLINDER, (includes items 1 thru 17)	C, F
1	8036451	1	SPHERICAL BEARING	
2	8036750	2	CHECK VALVE, (torque to 30-35 lb-ft)	
	8205655	1	SEAL KIT	
3	8035865	1	LOCKNUT, (torque to 550-650 lb-ft)	
4	Use Kit K1	1	PRECISION WEARBAND	
5	8035868	1	PISTON	
6	Use Kit K1	1	O-RING	
7	Use Kit K1	1	CAPPED T-SEAL	
8	Use Kit K1	2	PRECISION WEARBAND	
9	Use Kit K1	1	O-RING	
10	Use Kit K1	1	BACK-UP RING	
11	Use Kit K1	1	O-RING	
12	Use Kit K1	2	LOCKING INSERT	
13	8035867	1	HEAD GLAND, (torque to 300-400 lb-ft)	
14	Use Kit K1	1	DEEP Z-SEAL	
15	Use Kit K1	1	WIPER SEAL	
16	8035866	1	WELDMENT ROD	
17	NSS	1	WELDMENT TUBE	
18	0100019	AR	LOCTITE® 271™, (apply to item 3)	
K1	8035831	1	SEAL KIT, (includes items 4, 6 thru 12, 14 & 15)	



Figure 12-5 Cold Start Installation

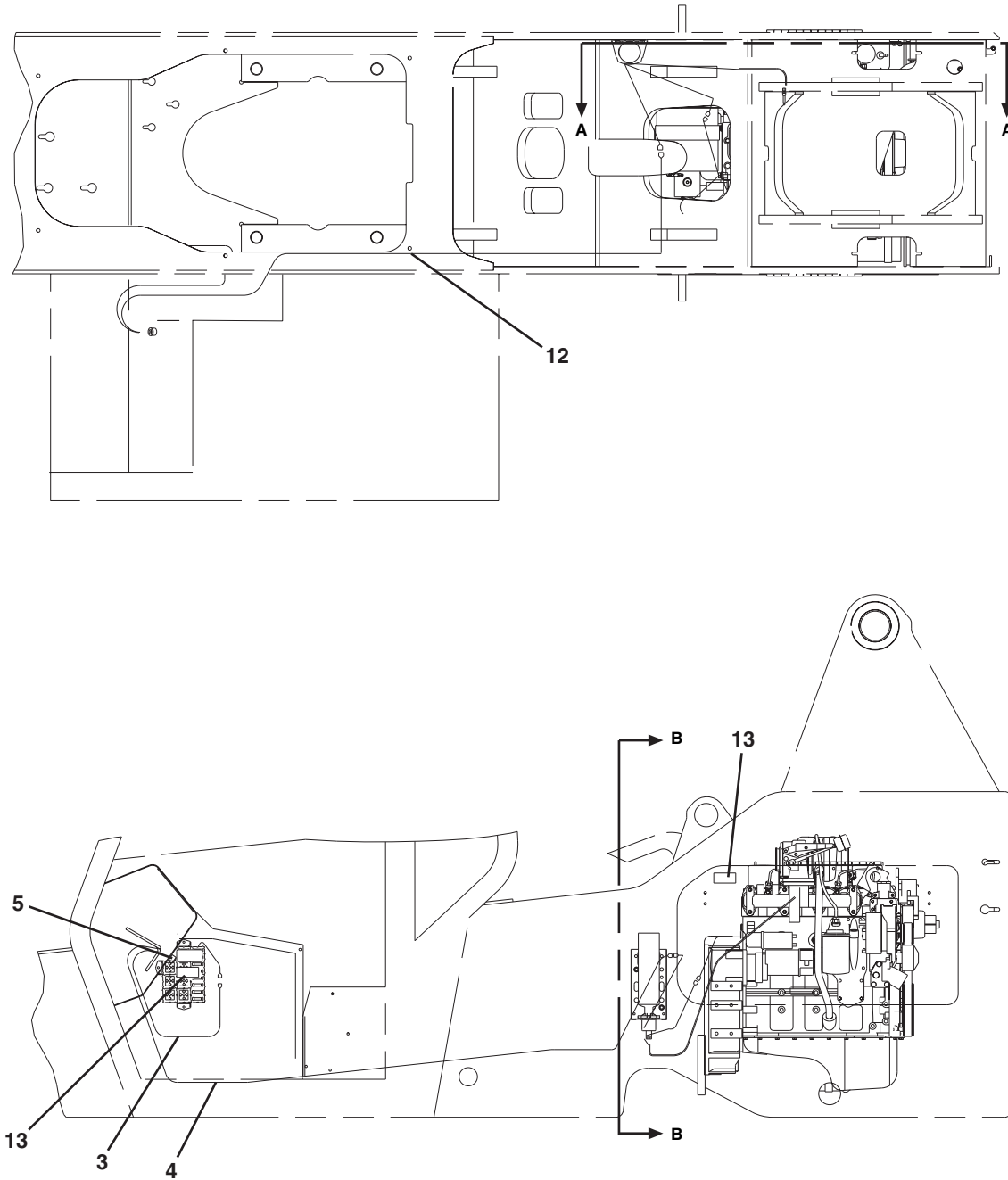
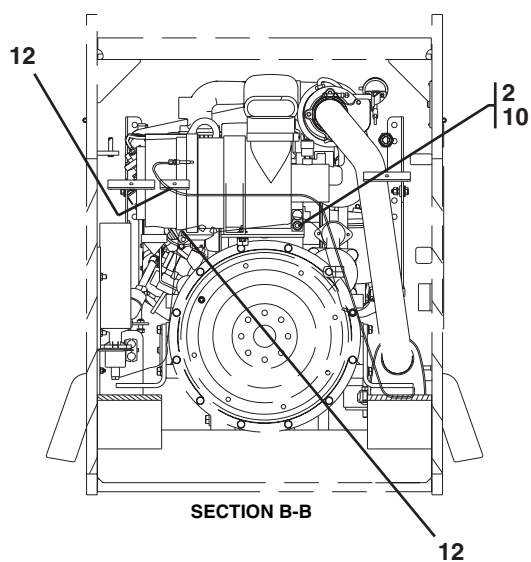
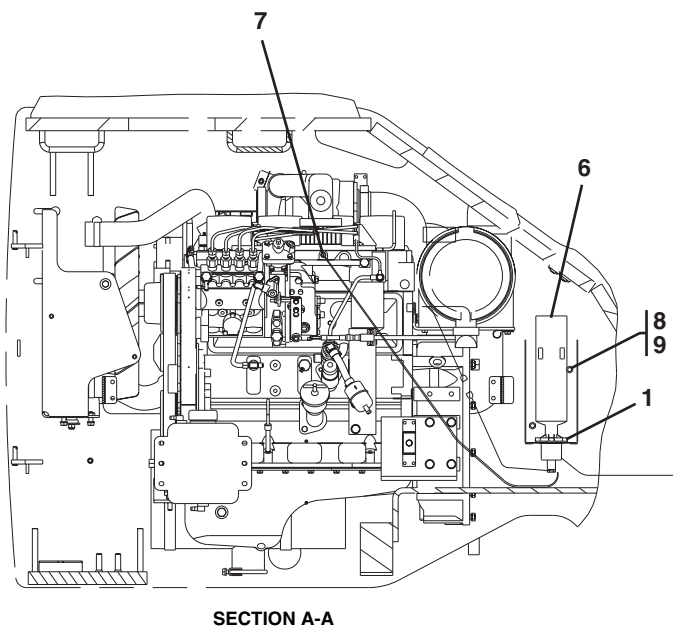




Figure 12-5 Cold Start Installation (Continued)





## OPTIONS

S/N 17019 thru 19897 &  
0160002408 thru 0160004109

**Figure 12-5 Cold Start Installation**

Item	Part Number	Qty.	Description	Rev.
	7300908	1	COLD START INSTALLATION, (includes all items)	AB
1	7138529	1	ETHER START ASSY	
2	7139254	1	THERMOSTAT ASSY	
3	7139257	1	WIRE ASSY	
4	7139258	1	WIRE ASSY	
5	8580311	1	WEATHER PROOF CAP AND NUT ASSY	
6	8277098	1	ETHER FLUID CYLINDER	
7	8277101	1	ATOMIZER	
8	8305008	2	HEX NUT, 3/8-16	
9	8307005	2	LOCKWASHER, 3/8	
10	8310300	1	SHIM WASHER, .625X.048X1	
12	8584001	4	PLASTIC TIE WRAP	
13	4110253	2	COLD START OPTION DECAL	



Figure 12-5 Cold Start Installation (Continued)

Item	Part Number	Qty.	Description	Rev.



Figure 12-5 Cold Start Installation

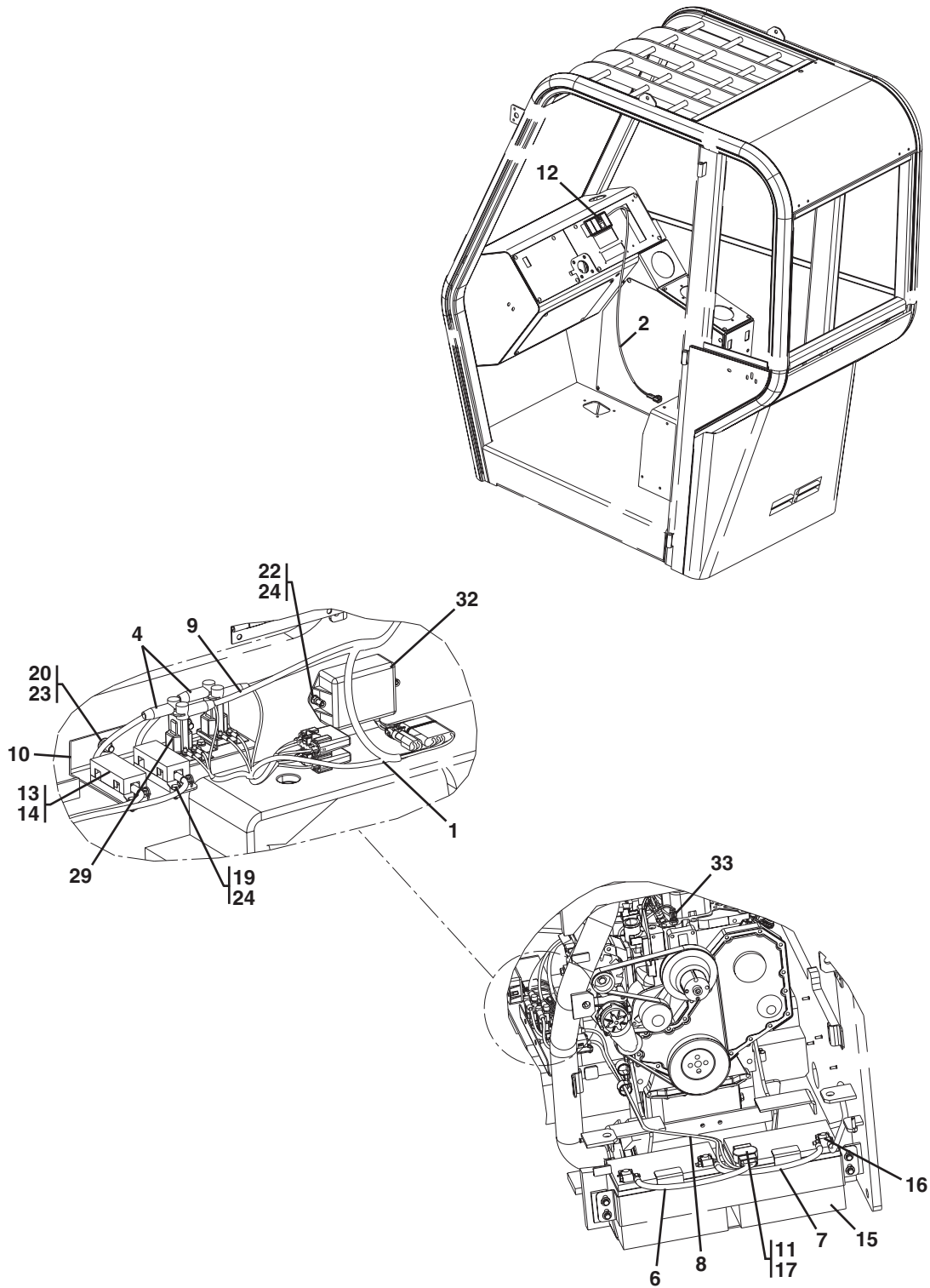
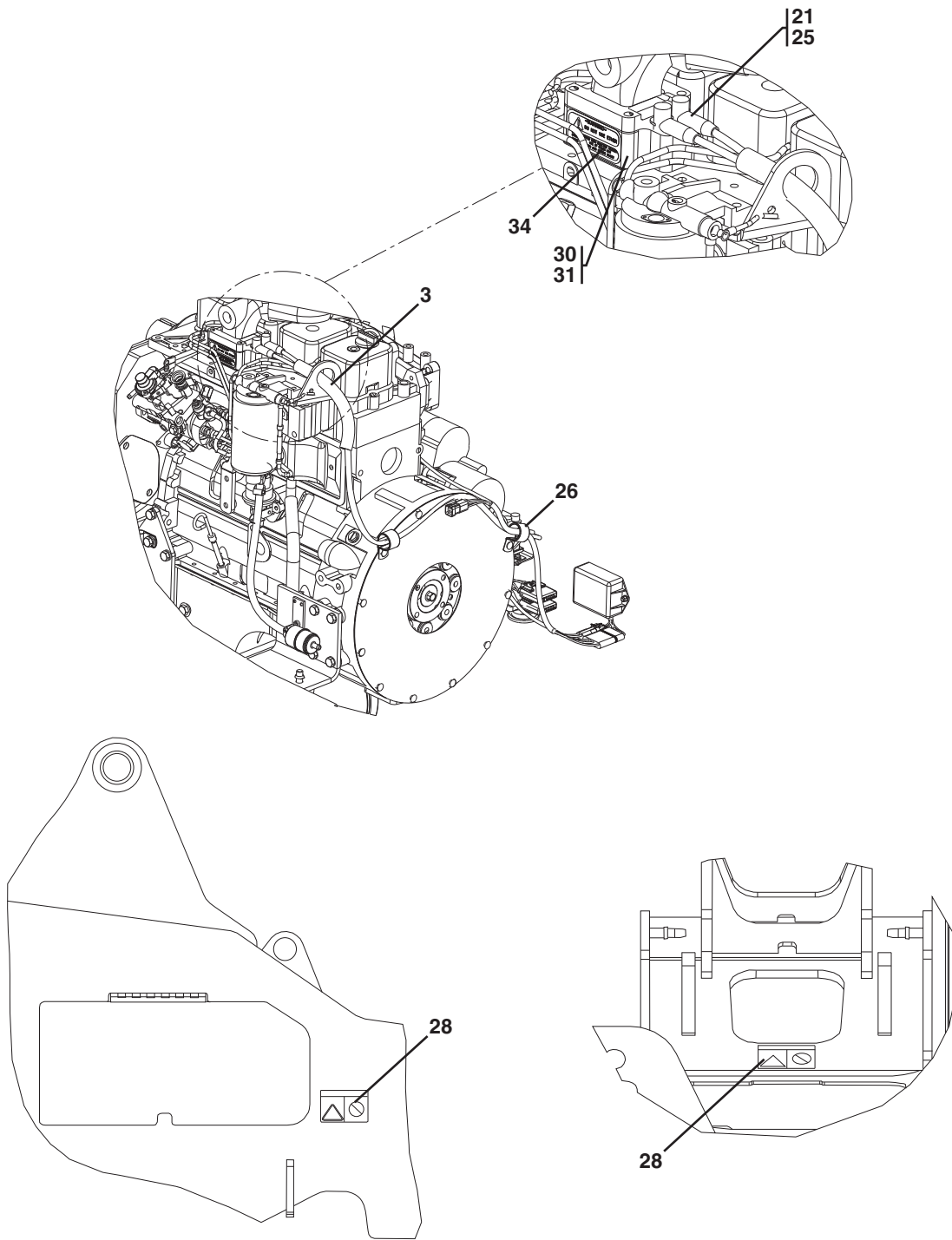




Figure 12-5 Cold Start Installation (Continued)





## OPTIONS

S/N 0160004111 & After

**Figure 12-5 Cold Start Installation**

Item	Part Number	Qty.	Description	Rev.
	7310020	1	COLD START INSTALLATION, (includes all items)	C
1	4922985	1	COLD START HARNESS	
2	4922987	1	CAB PREHEAT HARNESS	B
3	7128511	1	CONDUIT, .75 IDX8	
4	7301448	2	FUSE TO RELAY CABLE	
6	7301522	1	POSITIVE BATTERY CABLE	
7	7301523	1	NEGATIVE BATTERY CABLE	
8	7301524	2	BATTERY TO FUSE CABLE	
9	7301525	2	RELAY TO GRID HEATER CABLE	
10	7301829	1	RELAY MOUNTING BRACKET	
11	7301893	1	BATTERY TERMINAL INSULATOR	
12	8223082	1	ENGINE PREHEAT INDICATOR	
13	8229259	2	125AMP FUSE, MEGA BOLT ON	
14	8229260	2	FUSE HOLDER	
15	8270144	1	BATTERY, 12-VOLT	
16	8270147	1	NEGATIVE POLARITY BATTERY CLAMP	
17	8270148	1	POSITIVE POLARITY BATTERY CLAMP	
19	8303545	8	HEX HD CAPSCREW, M6X1X14mm, PC8.8	
20	8305008	2	HEX NUT, 3/8-16	
21	8305047	2	HEX NUT, M6X1	
22	8305652	2	HEX LOCKNUT, M6X1	
23	8307110	2	WASHER, 3/8	
24	8307219	10	PLAIN WASHER, M6	
25	8310687	2	LOCKWASHER, M6	
26	8406302	2	HOSE CLAMP, 1.25 DIA	
27	8584001	6	PLASTIC TIE WRAP, (not shown)	
28	4110460	2	ETHER STARTING WARNING DECAL, (S/N 0160004111 thru 0160028010)	
	1706300	2	ETHER STARTING WARNING DECAL, (ANSI), (S/N 0160028011 & After)	
	1706098	2	ETHER STARTING WARNING DECAL, (ISO), (S/N 0160028011 & After)	
29	8225122	2	RELAY, 12VDC, 100AMP	
30	8270423	1	INTAKE AIR HEATER, 12VDC, 195AMP	
31	8270424	2	GRID HEATER GASKET	
32	8270425	1	HEATER CONTROL MODULE	
33	8270426	1	GRID HEATER TEMPERATURE SENSOR	
34	8270427	1	GRID HEATER DECAL	



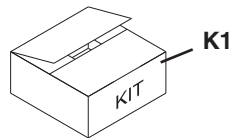
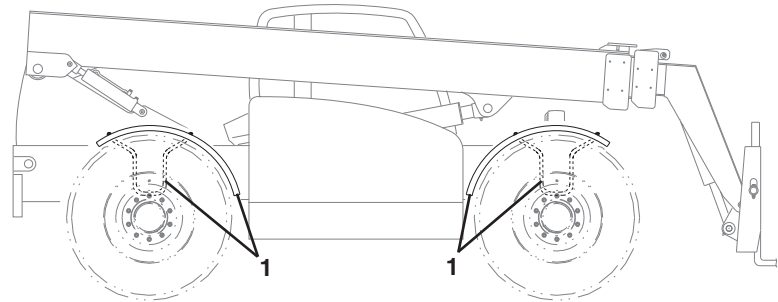
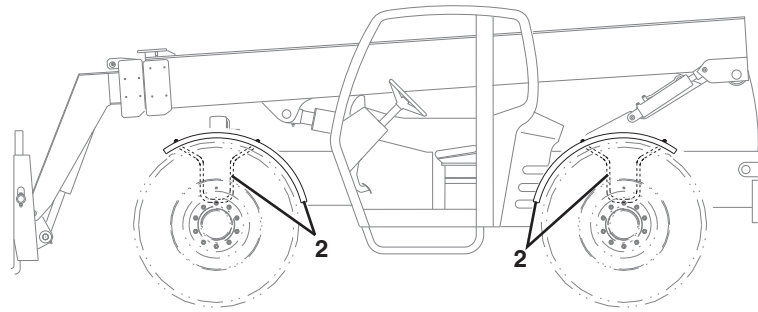
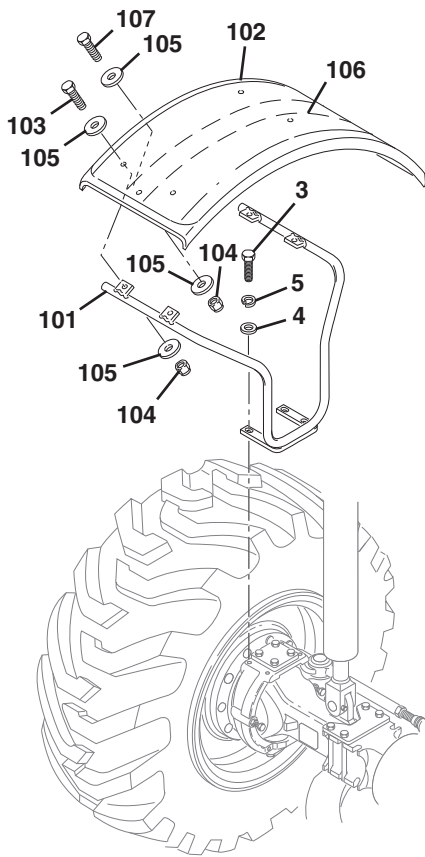
Figure 12-5 Cold Start Installation (Continued)

Item	Part Number	Qty.	Description	Rev.



# OPTIONS

### Figure 12-6 Fender Installation



PA4231



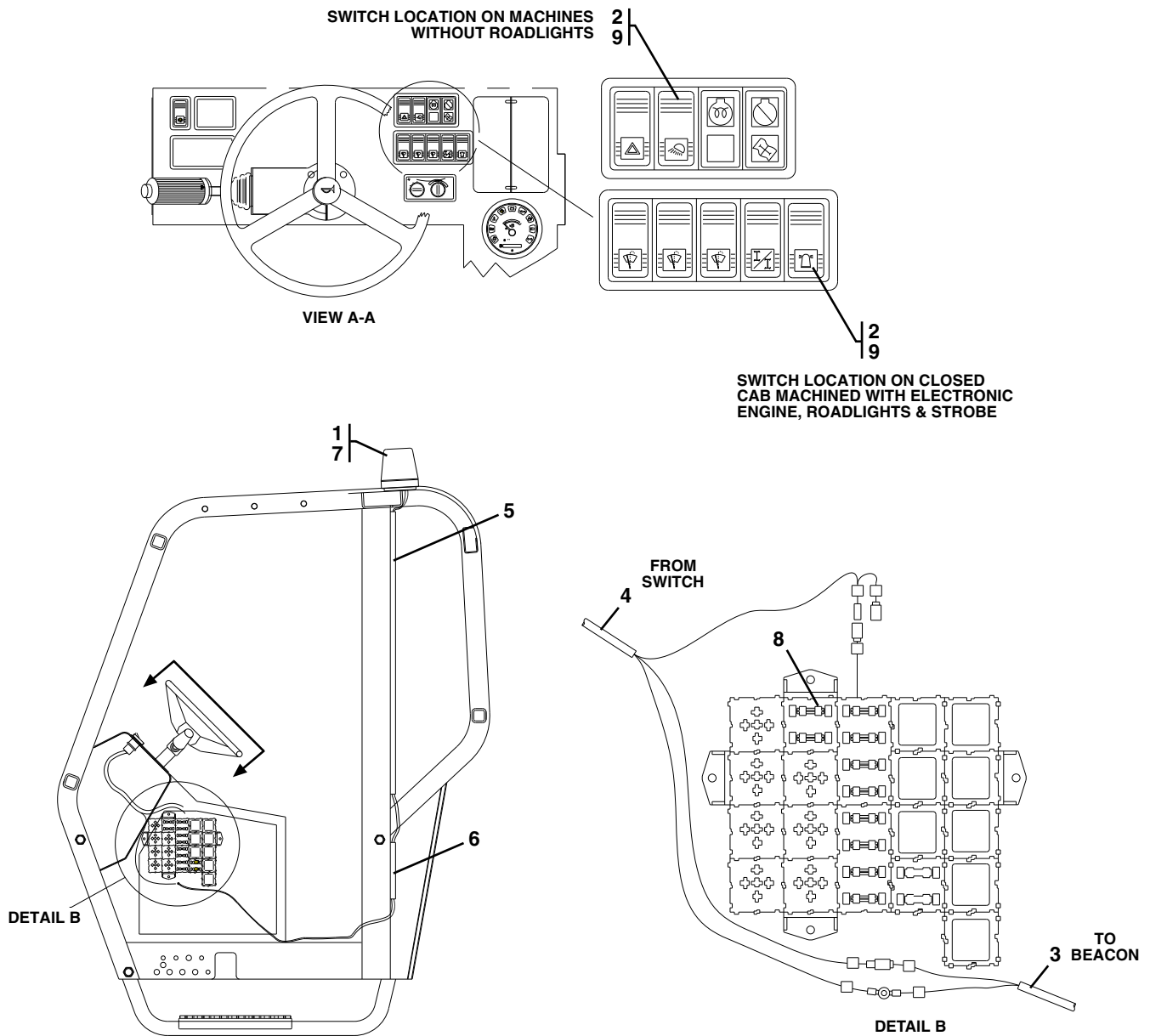
Figure 12-6 Fender Installation

Item	Part Number	Qty.	Description	Rev.
1	7150697	1	FENDER INSTALLATION, (includes items 1 thru 5)	AB
	NLA	Ref	RH FENDER & BRACKET ASSY, (includes items 101 thru 107), <b>(S/N 17019 thru 19897 &amp; 0160002345 thru 0160025362)</b>	AD
2	7150696	2	RH FENDER & BRACKET ASSY, (includes items 101 thru 105), <b>(S/N 0160025392 &amp; After)</b>	G
	NLA	Ref	LH FENDER & BRACKET ASSY, (includes items 101 thru 107), <b>(S/N 17019 thru 19897 &amp; 0160002345 thru 0160025362)</b>	AD
3	7150695	2	LH FENDER & BRACKET ASSY, (includes items 101 thru 105), <b>(S/N 0160025392 &amp; After)</b>	G
	8310164	16	HEX HD CAPSCREW, M12-1.75X40mm, PC8.8	
4	8307220	16	FLAT WASHER, M12	
5	8307025	16	LOCKWASHER, M12	
101	7150668	1	FENDER MOUNT, <b>(S/N 17019 thru 19897 &amp; 0160002345 thru 0160025362)</b>	
	0903609	1	FENDER MOUNT, <b>(S/N 0160025392 &amp; After)</b>	
102	7150706	1	FENDER	
103	8303626	4	HEX HD CAPSCREW, 1/2-13X1-1/2, GR5	
104	8305644	6	HEX LOCKNUT, 1/2-13, <b>(S/N 17019 thru 19897 &amp; 0160002345 thru 0160025362)</b>	
	8305644	4	HEX LOCKNUT, 1/2-13, <b>(S/N 0160025392 &amp; After)</b>	
105	8307206	12	PLAIN WASHER, 1/2, <b>(S/N 17019 thru 19897 &amp; 0160002345 thru 0160025362)</b>	
	8307206	8	PLAIN WASHER, 1/2, <b>(S/N 0160025392 &amp; After)</b>	
106	6623576	1	FENDER SUPPORT, <b>(S/N 17019 thru 19897 &amp; 0160002345 thru 0160025362)</b>	
107	8303625	2	HEX HD CAPSCREW, 1/2-13X1-1/4, GR5, <b>(S/N 17019 thru 19897 &amp; 0160002345 thru 0160025362)</b>	
K1	7147400	1	FENDER FIELD KIT, (four wheel installation)	



# OPTIONS

## Figure 12-7 Rotating Beacon Installation



PAP9250



**Figure 12-7 Rotating Beacon Installation**

Item	Part Number	Qty.	Description	Rev.
	7139264	1	ROTATING BEACON INSTALLATION, OPEN CAB, (includes all items)	AD
	1001111074	1	ROTATING BEACON INSTALLATION, CLOSED CAB, (includes items 1 thru 4 & 7 thru 9)	A
1	8500066	1	ROTATING BEACON LIGHT	
2	8223038	1	BEACON SWITCH	
3	7139263	1	WIRE ASSY	
4	7139269	1	WIRE ASSY FROM SWITCH	
5	8036057	1	UPPER WIRE DUCT, <b>(open cab only)</b>	
6	8036058	1	LOWER WIRE DUCT, <b>(open cab only)</b>	
7	8526035	AR	SILICONE SEALANT, <b>(open cab)</b>	
	0100009	AR	SILICONE SEALANT, <b>(closed cab)</b>	
8	8229233	1	FUSE, 7.5AMP	
9	8223083	1	BEZEL SWITCH, MIDDLE POSITION	



OPTIONS

Figure 12-8 Remote Oil Filler

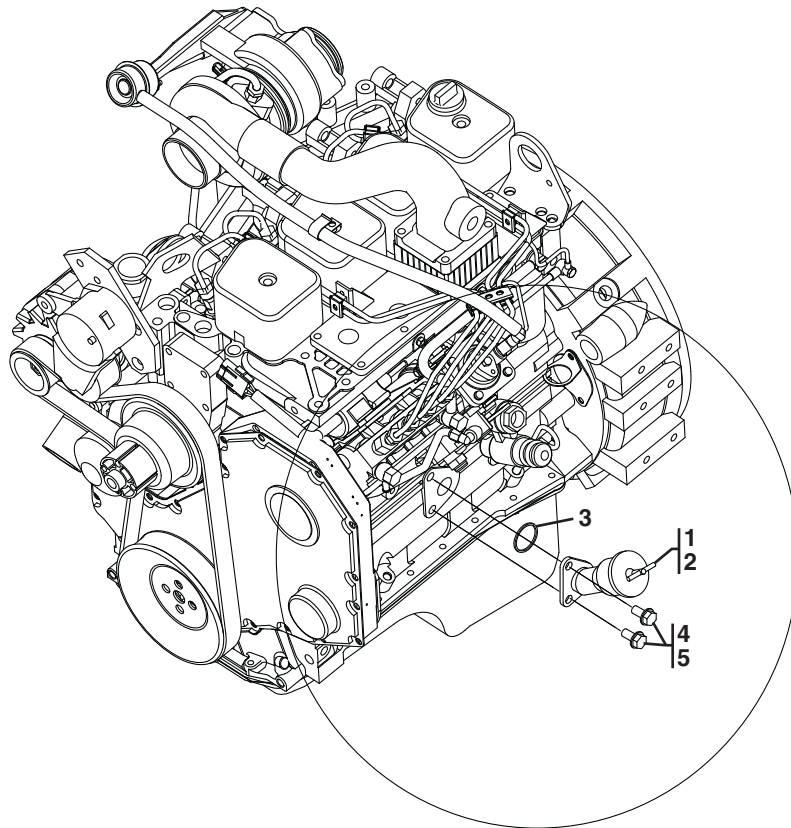




Figure 12-8 Remote Oil Filler

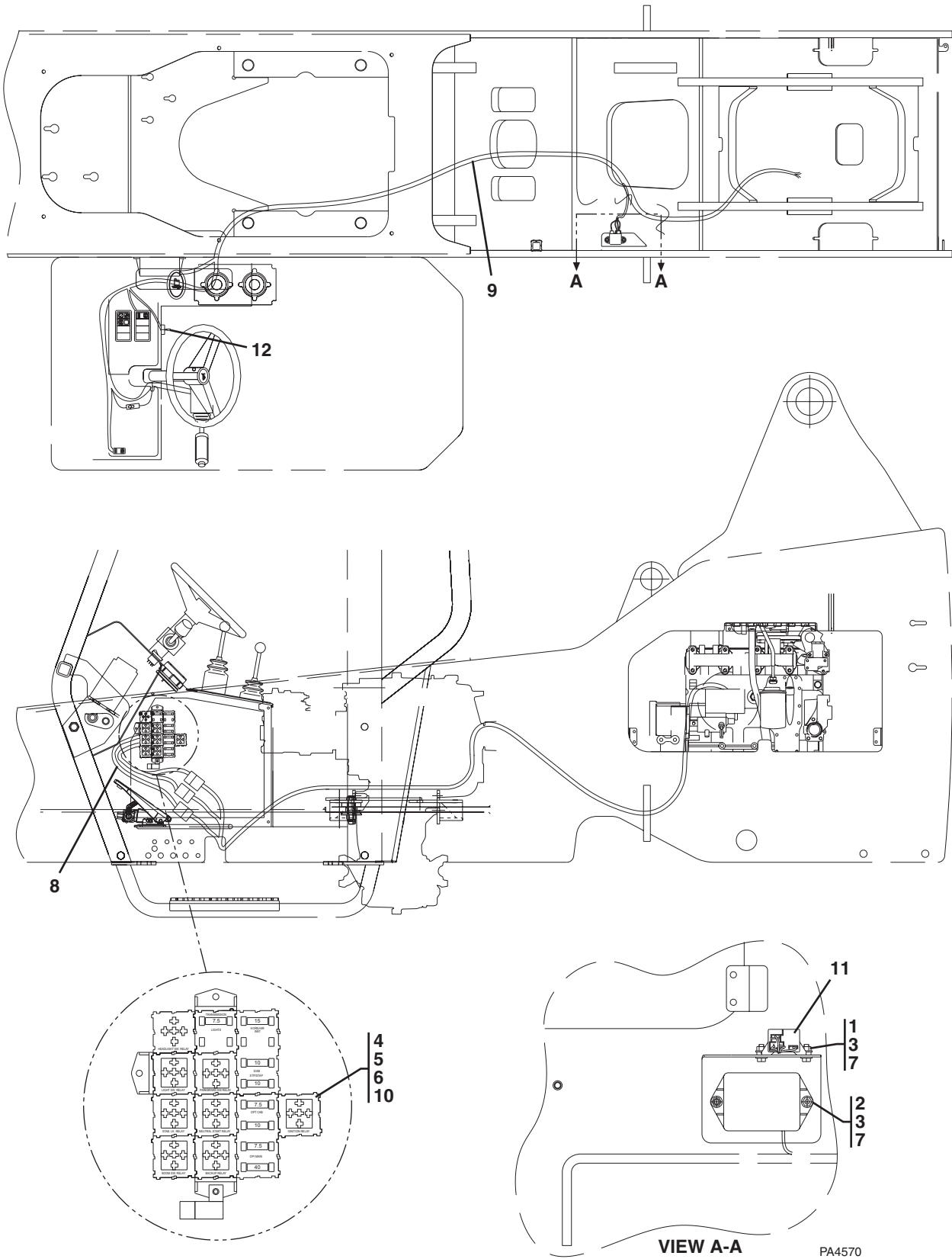
Item	Part Number	Qty.	Description	Rev.
	2915052	1	REMOTE OIL FILLER KIT, (includes items 1 thru 4)	
1	83673130	1	FILLER CAP	
2	7029006	1	OIL FILLER TUBE	
3	83673133	1	SEAL	
4	7029242	2	HEX HD CAPSCREW, M12X1.75mm, GR8, (Loctite® 242™ & torque to 71 lb-ft)	
5	0100011	AR	LOCTITE® 242™, (apply to item 4)	



**OPTIONS**

S/N 17019 thru 19897 &  
0160002408 thru 0160023103

**Figure 12-9 Ignition Switch Weather Kit**





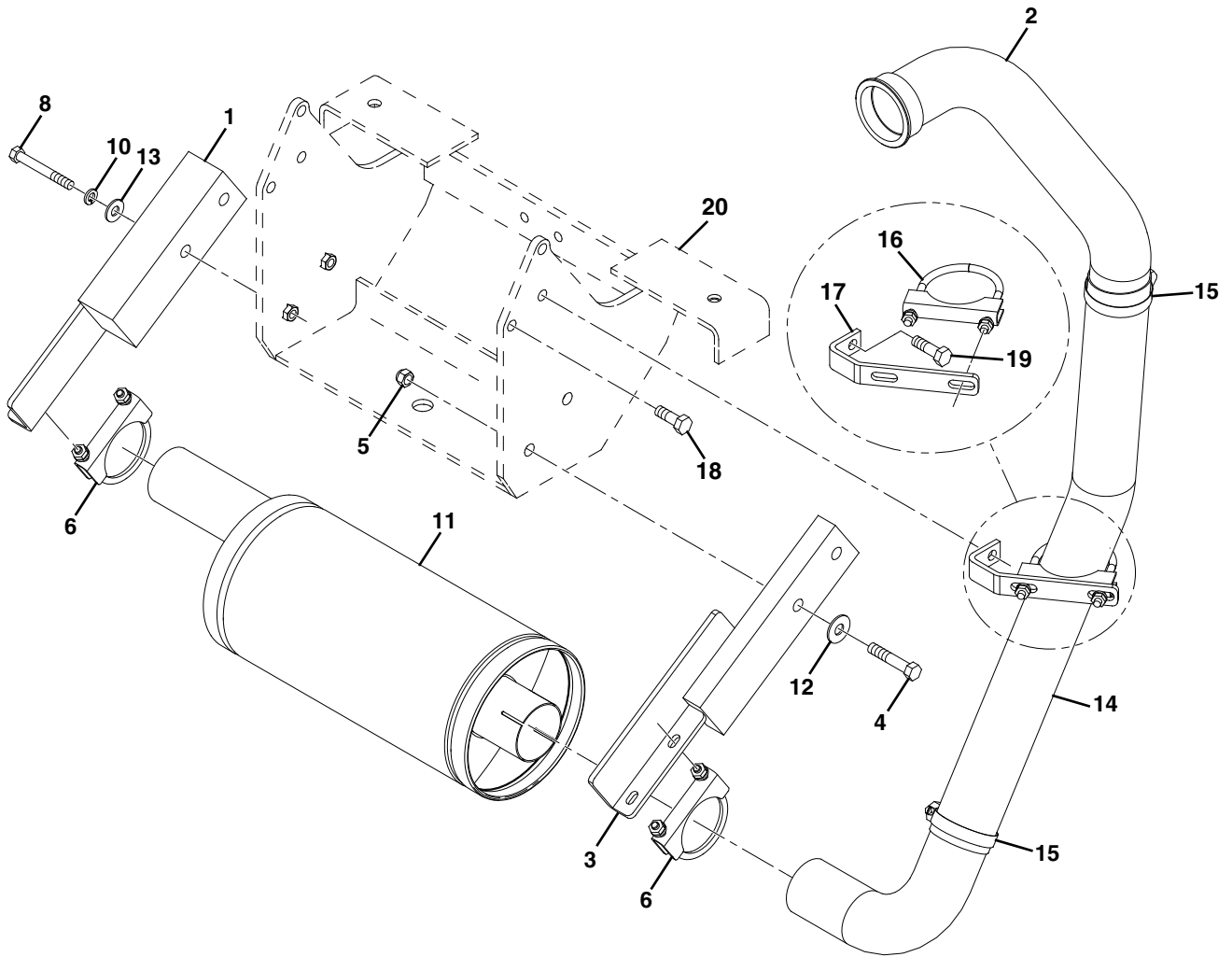
**Figure 12-9 Ignition Switch Weather Kit**

Item	Part Number	Qty.	Description	Rev.
	2915161	1	IGNITION SWITCH REPLACEMENT KIT, (includes all items)	C
1	0641406	2	HEX HD CAPSCREW, 1/4-20X3/4	
2	0903318	1	RELAY MOUNTING BRACKET	
3	3311401	4	HEX NUT, 1/4-20	
4	4461101	1	RELAY MODULE	
5	4461102	1	SECONDARY LOCK	
6	4461103	1	LOCKING WEDGE RELAY	
7	4711400	6	WASHER, 1/4	
8	4923334	1	RETROFIT CAB HARNESS	
9	4923342	1	RETROFIT FRAME HARNESS	
10	8225119	1	RELAY	
11	77383377	1	STARTER RELAY	
12	4360690	1	IGNITION SWITCH	



OPTIONS

Figure 12-10 Exhaust Upgrade Kit



PAP3880



Figure 12-10 Exhaust Upgrade Kit

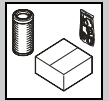
Item	Part Number	Qty.	Description	Rev.
	1001102305	1	EXHAUST UPGRADE KIT, (includes items 1 thru 19)	E
1	1001101397	1	EXHAUST BRACKET	
2	1001100296	1	EXHAUST PIPE	
3	1001101396	1	MOUNTING BRACKET	
4	0641718	2	HEX HD CAPSCREW, 7/16-14X2-1/4, GR5, (torque to 35-45 lb-ft)	
5	8310109	2	HEX LOCKNUT, 7/16-14	
6	83683175	2	MUFFLER CLAMP, 2-1/2	
8	0641624	2	HEX HD CAPSCREW, 3/8-16X3, GR5, (torque to 7.5-13.5 lb-ft)	
10	8307005	2	LOCKWASHER, 3/8	
11	1001100978	1	MUFFLER	
12	4751700	2	WASHER, 7/16	
13	4751600	2	WASHER, 3/8	
14	1001101193	2ft	FIBERGLASS SLEEVE, 2-1/2 IN DIA	
15	8405202	2	GEAR CLAMP	
16	8275247	1	MUFFLER CLAMP, 3 INCH	
17	1001120927	1	EXHAUST SUPPORT BRACKET	
18	0701215	1	HEX HD CAPSCREW, 12X35mm, GR8.8	
19	0701216	1	HEX HD CAPSCREW, 12X40mm, GR8.8	
20		Ref	ENGINE MOUNT, (see Figure 4-1 for details)	



**OPTIONS**

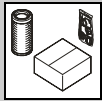
**This Page Intentionally Left Blank**

## RECOMMENDED SPARE PARTS



The following list will service fleets of machines (built to current production per date on the front cover) with repair parts which can be installed in the field. Parts from the list should be replaced when inventory is depleted to keep service parts stock supplied. For further information, contact your JLG dealer or the JLG Industries Parts Department.

Part Number	Description	Qty./Machine
<b>Boom Assembly</b>		
2713452	Tilt Cylinder Hose, (see Figure 8-3)	2
2716714	Boom Hose, (see Figure 8-3)	2
7079572	Wear Pad, (see Section 2)	AR
7082311	Insert, Wear Pad, (see Section 2)	AR
7082342	Shim, .07, (see Section 2)	AR
7082362	Shim, .13, (see Section 2)	AR
7096702	Spacer, .50, (see Section 2)	AR
7096882	Spacer, .62, (see Section 2)	AR
<b>Engine</b>		
7138290	Engine Filter Kit, 250 Hour, (see Figure 4-1), <b>(S/N 17019 thru 19897 &amp; 0160002408 thru 0160004109)</b>	1
2915034	Engine Filter Kit, 250 Hour, (see Figure 4-1), <b>(S/N 0160004111 thru 0160039074)</b>	1
1001128968	Engine Filter Kit, 250 Hour, (see Figure 4-1), <b>(S/N 0160039075 &amp; After)</b>	1
8024016	Engine Filter Kit, 1000 Hour, (see Figure 4-1), <b>(S/N 17019 thru 19897 &amp; 0160002408 thru 0160004109)</b>	1
2915036	Engine Filter Kit, 1000 Hour, (see Figure 4-1), <b>(S/N 0160004111 thru 0160039074)</b>	1
1001128967	Engine Filter Kit, 1000 Hour, (see Figure 4-1), <b>(S/N 0160039075 &amp; After)</b>	1
7139077	Filler Breather Assembly, (see Figure 9-10)	2
8272017	Fan, (see Figure 4-1), <b>(S/N 17019 thru 19897 &amp; 0160002408 thru 0160004109)</b>	1
8272027	Fan, (see Figure 4-1), <b>(S/N 0160004111 thru 0160039074)</b>	1
1001098559	Fan, (see Figure 4-1), <b>(S/N 0160039075 &amp; After)</b>	1
8080613	Fan Belt, (see Figure 4-1), <b>(S/N 17019 thru 19897 &amp; 0160002408 thru 0160004109)</b>	1
7029270	Fan Belt, (see Figure 4-1), <b>(S/N 0160004111 thru 0160039074)</b>	1
70021852	Fan Belt, (see Figure 4-1), <b>(S/N 0160039075 &amp; After)</b>	1
<b>Drive Train</b>		
8223049	Transmission Selector Control, (see Figure 7-3), <b>(S/N 17019 thru 19897 &amp; 0160002408 thru 0160015196)</b>	1
1600429	Transmission Selector Control, (see Figure 7-3), <b>(S/N 0160015215 &amp; After)</b>	1
8160080	Throttle Cable, (see Figure 7-2), <b>(S/N 17019 thru 19897 &amp; 0160002408 thru 0160004109)</b>	1
1600373	Throttle Cable, (see Figure 7-2), <b>(S/N 0160004111 thru 0160039245)</b>	1
1319726	Transmission Filter, (see Figure 5-32)	1
1319433	Wheel End Bushing, (see Section 5), <b>(Before S/N 0160038919 excluding 0160033533)</b>	4
70022241	Wheel End Bushing, (see Section 5), <b>(S/N 0160038919 &amp; After including 0160033533)</b>	4
1319434	Wheel End Seal, (see Section 5)	2
8036329	Wheel Hub Seal, (see Section 5), <b>(Before S/N 0160038919 excluding 0160033533)</b>	4
80304173	Wheel Hub Seal, (see Section 5), <b>(S/N 0160038919 &amp; After including 0160033533)</b>	4
1319472	Wheel Hub Bearing, (see Section 5)	8
1319470	Axle Wheel Hub O-Ring, (see Section 5), <b>(Before S/N 0160038919 excluding 0160033533)</b>	4
70022203	Axle Wheel Hub O-Ring, (see Section 5), <b>(S/N 0160038919 &amp; After including 0160033533)</b>	4

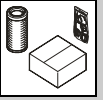


## RECOMMENDED SPARE PARTS

The following list will service fleets of machines (built to current production per date on the front cover) with repair parts which can be installed in the field. Parts from the list should be replaced when inventory is depleted to keep service parts stock supplied. For further information, contact your JLG dealer or the JLG Industries Parts Department.

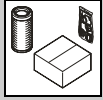
Part Number	Description	Qty./Machine
<b>Hydraulic System</b>		
8224045	Boom Joystick Assembly, (see Figure 7-5)	1
8224047	Boom Joystick Assembly, (see Figure 7-6)	1
8036502	Boom Extend/Retract Cylinder Seal Kit, (see Figure 9-1)	1
8036132	Boom Lift/Lower Cylinder Seal Kit, (see Figure 9-2)	1
8035326	Frame Sway Cylinder Seal Kit, (see Figure 9-3)	1
8035720	Attachment Tilt Cylinder Seal Kit, (see Figure 9-4)	1
8035326	Stabil-Trak Cylinder Seal Kit, (see Figure 9-5), <b>(S/N 17019 thru 19299)</b>	1
8036747	Stabil-Trak Cylinder Seal Kit, (see Figure 9-5), <b>(S/N 19300 thru 19897 &amp; 0160002408 &amp; After)</b>	1
8036131	Slave Cylinder Seal Kit, (see Figure 9-6), <b>(S/N 17019 thru 19299)</b>	1
7028739	Slave Cylinder Seal Kit, (see Figure 9-6), <b>(S/N 19300 thru 19897 &amp; 0160002408 &amp; After)</b>	1
8035830	Swing Carriage Cylinder Seal Kit, (see Figure 12-3), <b>(S/N 17019 thru 19238)</b>	1
8036783	Swing Carriage Cylinder Seal Kit, (see Figure 12-3), <b>(S/N 19239 thru 19897 &amp; 0160002408 &amp; After)</b>	1
2915023	Swing Carriage Cylinder Seal Kit, (see Figure 9-13)	1
8035831	Side Tilt Carriage Cylinder Seal Kit, (see Figure 12-4)	1
8035981	Steering Cylinder Seal Kit, (see Section 5), <b>(Before Axle S/N 829694)</b>	1
70021495	Steering Cylinder Seal Kit, (see Section 5), <b>(Axle S/N 829694 &amp; After)</b>	1
70022178	Steering Cylinder Seal Kit, (see Section 5), <b>(S/N 0160038919 &amp; After including 0160033533)</b>	1
8320265	Hydraulic Filter Element, (see Figure 9-10), <b>(Before S/N 0160002408)</b>	1
7301252	Hydraulic Filter Element, (see Figure 9-10), <b>(S/N 0160002408 &amp; After)</b>	1
7138740	Tank Strainer, (see Figure 9-10)	1
7139077	Filler/Breather, (see Figure 9-10)	1
7024441	Fluid Level Sight Gauge, (see Figure 9-10)	1
<b>Electrical</b>		
8223217	Engine Coolant Temperature Sender, (see Figure 10-2), <b>(S/N 17019 S/N 18340)</b>	1
8223242	Engine Coolant Temperature Sender, (see Figure 10-2), <b>(S/N 18348 thru 19897 &amp; 0160002408 thru 0160004109)</b>	1
8223244	Engine Coolant Temperature Sender, (see Figure 10-2), <b>(S/N 0160004111 thru 0160039074)</b>	1
8223532	Engine Oil Pressure Sender, (see Figure 10-2), <b>(S/N 17019 thru 19897 &amp; 0160002408 thru 0160004109)</b>	1
8223532	Engine Oil Pressure Sender, (see Figure 10-2), <b>(S/N 0160004111 thru S/N 0160012741)</b>	1
4360609	Engine Oil Pressure Sender, (see Figure 10-2), <b>(S/N 0160012742 thru 0160039074)</b>	1
7118222	Fuel Level Sender Assembly, (see Figure 9-10)	1
8270624	Backup Alarm, (see Figure 10-2), <b>(S/N 17019 thru 19897 &amp; 0160002408 thru 0160004109)</b>	1
8270624	Backup Alarm, (see Figure 10-2), <b>(S/N 0160004111 thru 0160016703)</b>	1
8270621	Backup Alarm, (see Figure 10-2), <b>(S/N 0160016726 &amp; After)</b>	1
4360690	Ignition Switch, (see Figure 7-4)	1
8270221	Alternator, (see Figure 4-1), <b>(S/N 17019 thru 19897 &amp; 0160002408 thru 0160004109)</b>	1
7029268	Alternator, (see Figure 4-1), <b>(S/N 0160004111 thru 0160014862)</b>	1
7029525	Alternator, (see Figure 4-1), <b>(S/N 0160014880 thru 0160039074)</b>	1
70021849	Alternator, (see Figure 4-1), <b>(S/N 0160039075 &amp; After)</b>	1
8270620	Horn, (see Figure 10-2)	1

## RECOMMENDED SPARE PARTS



The following list will service fleets of machines (built to current production per date on the front cover) with repair parts which can be installed in the field. Parts from the list should be replaced when inventory is depleted to keep service parts stock supplied. For further information, contact your JLG dealer or the JLG Industries Parts Department.

Part Number	Description	Qty./Machine
<b>Misc.</b>		
8035807	Ignition Key With Cover, (see Figure 7-4)	1
8342808	Door Key, (see Figure 6-4)	1
80904003	Hydraulic Test Kit	1
8990465	Owner/Operator Manual, (S/N 17019 thru 19897 & 0160002408 thru 0160002345)	1
3126022	Owner/Operator Manual, (S/N 0160004111 thru 0160037382)	1
31200352	Operation & Safety Manual, (S/N 0160037788 & After)	1
8990466	Service Manual, (Before S/N 0160039075)	1
31200353	Service Manual, (S/N 0160039075 & After)	1
8990467	Parts Manual	1
<b>Special Tools</b>		
80304484	Pry Bar Set, ZF Axle	1
80304480	Two-armed Puller, ZF Axle	1
7025854	Two-armed Puller, ZF Axle	1
70010241	Threaded Ring, M105X3, ZF Axle	1
70010239	Two-armed Puller, 160-150mm, ZF Axle & Transmission	1
70023172	Gripping Insert Super, ZF Axle	1
70023173	Back-off Insert, Rear ZF Axle	1
70023174	Eye Bolt Assortment, ZF Axle & Transmission	1
70022872	Internal Extractor, 45-58mm, ZF Axle & Transmission	1
70022873	Internal Extractor, 70-100mm, ZF Axle	1
70022871	Counter Support, Rear, ZF Axle & Transmission	1
7029740	Driver, ZF Axle	1
7029739	Driver, ZF Axle	1
7029738	Driver, ZF Axle	1
70010244	Internal Extractor, ZF Axle	1
70010245	Counter Support, ZF Axle	1
70022866	Spanner, ZF Axle	1
70022867	Torque Spanner, 5-45Nm, ZF Axle	1
80304492	Wheel Bolt Puller Basic Set, ZF Axle	1
70110101	Driver, ZF Axle	1
80304498	Handle, ZF Axle	1
70010281	Slotted Nut Wrench, ZF Axle	1
70010283	Installer, ZF Axle	1
70010284	Installer, ZF Axle	1
80304497	HP-Pump, ZF Axle	1
7025856	Striker, ZF Axle	1
70010243	Measuring Hub, 9/16in-18UNF	1



## RECOMMENDED SPARE PARTS

The following list will service fleets of machines (built to current production per date on the front cover) with repair parts which can be installed in the field. Parts from the list should be replaced when inventory is depleted to keep service parts stock supplied. For further information, contact your JLG dealer or the JLG Industries Parts Department.

Part Number	Description	Qty./Machine



Part Number	Page	Part Number	Page	Part Number	Page	Part Number	Page
0100009	12-29	1001090064	3-11	1001098972	4-21	1001103930	11-4
01000111-5, 1-7, 1-9, 2-3, 2-5, 2-7, 2-9, 2-11, 2-13, 3-11, 4-3, 4-5, 4-7, 4-29, 7-17, 7-19, 12-13, 12-15, 12-31		1001090134	9-43	1001098977	4-27	1001104036	10-5
01000191-9, 9-3, 9-5, 9-7, 9-9, 9-11, 9-15, 9-19, 9-23, 12-13, 12-17		1001090140	3-11	1001099113	3-11	1001105892	6-17
0240156	3-43	1001091752	9-37, 9-39	1001099115	3-11	1001106013	11-5
0274039	11-5	1001092280	3-33	1001099246	8-37	1001107355	7-5
0274263	11-5	1001092391	3-31	1001099351	3-23	1001108206	10-13
0274271	11-5	1001092481	3-33	1001099359	3-25	1001108668	3-48
0274272	11-5	1001092482	3-33	1001099901	3-27	1001109007	6-17
0274547	11-5	1001092877	3-15	1001099902	3-27	1001109053	11-5
0641405	3-34	1001092878	11-5	1001100005	5-113, 5-117	1001109404	8-3, 8-7
0641406	10-9, 10-13, 12-33	1001093140	3-33	1001100215	8-37	1001109406	6-17
0641410	10-9	1001093171	3-33	1001100216	8-37	1001109417	6-7
0641511	12-9	1001093273	3-43	1001100218	9-39	1001109478	6-11
0641514	4-7	1001093377	3-19, 3-43	1001100220	8-31	1001109596	11-4
0641612	3-11, 4-13, 8-31	1001093465	3-43	1001100222	8-31	1001109598	11-4
0641616	4-21, 4-35	1001094330	3-43	1001100223	8-31	1001110280	11-4
0641618	4-21	1001094783	1-9	1001100225	6-28	1001110282	11-4
0641624	4-33, 4-35, 12-35	1001094830	3-43	1001100227	3-19	1001110413	11-5
0641718	4-31, 4-33, 12-35	1001094877	1-9	1001100228	3-19	1001111074	12-29
0641814	8-37	1001095418	3-15	1001100229	3-19	1001111112	6-23
0642032	3-7, 3-11	1001095710	4-7	1001100284	5-113, 5-117	1001111190	3-15, 3-48
0642222	1-9	1001095810	3-33	1001100296	4-33, 12-35	1001113276	6-27
0642628	1-9	1001096019	3-33	1001100324	5-113	1001113422	4-7
0681810	3-11	1001096020	3-33	1001100822	3-3	1001113511	4-13
0681826	4-7	1001096021	3-33	1001100823	3-3	1001114012	4-35
0682228	4-7	1001096023	3-33	1001100824	3-3	1001114013	4-35
0700610	6-3, 11-5	1001096024	3-33	1001100967	3-21	1001114040	4-35
0701214	4-5	1001096025	3-33	10011009784-33, 4-35, 12-35		1001114202	8-11
0701215	4-5, 12-35	1001096306	3-33	1001101043	10-14	1001114480	10-13
0701216	12-35	100109631412-3, 12-9, 12-10		1001101085	6-21	1001114482	10-13
0710819	4-7	1001096404	2-7	1001101115	3-19	1001114483	10-13
0711019	4-7	1001096425	4-35	1001101116	3-19	1001114579	10-5
0741610	3-11	1001096427	4-27	10011011934-33, 4-35, 12-35		1001114671	10-13
0761012	10-13	1001096428	4-7	1001101396	4-33, 12-35	1001114675	6-3, 11-5
0761015	4-39	1001096431	4-21	1001101397	4-33, 12-35	1001117308	10-13
0791810	10-13	1001096432	4-21	1001101845	2-15	1001118107	10-13
0860520	3-33	1001096434	4-21	1001101956	3-11	1001118129	10-13
0903318	12-33	1001096435	4-21	1001102212	4-21	1001118245	10-13
0903609	12-27	1001096436	4-21	1001102213	4-21	1001120632	11-5
0930020	3-41	1001096459	4-7	1001102214	4-27	1001120819	6-28
1001081045	6-27	1001096462	4-7	1001102277	4-27	1001120914	3-11
1001081046	6-27	1001096479	4-7	1001102305	4-31, 12-35	1001120915	3-11
1001081049	6-27	1001096484	4-27	1001102378	3-11	1001120927	12-35
1001081072	6-27	1001097072	3-33	1001102813	3-34	1001121085	5-117
1001081073	6-27	1001097079	12-3	1001102844	6-3	1001125007	6-4
1001081280	6-7	1001097080	12-3	1001102931	4-13	1001125774	6-27
1001081310	6-23, 6-25	1001097168	3-33	1001102933	4-13	1001125837	6-27
1001081375	6-27	1001097564	4-21	1001103113	7-5	1001125838	6-11
1001081376	6-27	1001097565	4-21	1001103149	9-33	1001126234	6-27
1001090063	3-11	1001097566	4-7	1001103151	9-33	1001127593	11-5
		1001097567	4-13	1001103152	9-33	1001127594	11-5
		1001097568	4-13	1001103182	9-45	1001128058	4-7
		1001097569	4-13	1001103509	6-17, 6-27	1001128396	10-5
		1001097735	2-15	1001103619	5-21, 5-57	1001128397	10-13
		1001098089	2-9	1001103625	5-5	1001128530	11-5
		1001098559	4-7	1001103630	5-41	1001128663	10-13
		1001098582	3-33	1001103637	3-33	1001128665	10-14
		1001098594	11-5	1001103730	3-33	1001128666	10-14
		1001098769	2-7	1001103736	3-33	1001128967	4-8



## PART NUMBER INDEX

Part Number	Page	Part Number	Page	Part Number	Page	Part Number	Page
1001128968	4-8	1319214	5-27, 5-63	1319392	5-8, 5-44	1319502	5-23, 5-60
1001129749	4-7	1319333	5-7, 5-43	1319393	5-8, 5-44	1319504	5-23, 5-60
1001130307	10-13	1319334	5-7, 5-43	1319394	5-8, 5-44	1319505	5-23, 5-60
1001131179	1-11	1319335	5-7, 5-43	1319395	5-8, 5-44	1319506	5-19, 5-23, 5-37, 5-55, 5-59, 5-73
1001131244	1-11	1319336	5-7, 5-43	1319396	5-8, 5-44	1319510	5-24, 5-59
1001131246	1-11	1319337	5-7, 5-43	1319397	5-8, 5-44	1319511	5-24, 5-59
1001131271	11-5	1319338	5-43	1319398	5-8, 5-44	1319512	5-24, 5-59
1001131334	1-11	1319339	5-43	1319399	5-8, 5-44	1319513	5-24, 5-59
1001132437	1-11	1319340	5-43	1319400	5-8, 5-44	1319514	5-24, 5-59
1001132443	1-11	1319341	5-7, 5-43	1319401	5-8, 5-44	1319515	5-24, 5-59
1001132452	1-11	1319342	5-7, 5-43	1319402	5-8, 5-44	1319516	5-24, 5-59
1001132514	3-7	1319343	5-7, 5-43	1319406	5-8, 5-44	1319517	5-24, 5-59
1001132550	7-17	1319344	5-7, 5-43	1319412	5-51	1319518	5-24, 5-59
1001132551	7-19	1319345	5-7, 5-43	13194235-19, 5-21, 5-55, 5-57		1319519	5-24, 5-59
1001137512	3-31	1319346	5-7, 5-43	13194255-19, 5-23, 5-55, 5-59		1319520	5-24, 5-59
1001140699	11-5	1319347	5-7, 5-43	1319427	5-55	1319521	5-24, 5-59
1001141427	6-3	1319348	5-7, 5-43	1319429	5-19, 5-55	1319522	5-24, 5-59
10139087	11-5	1319349	5-7, 5-43	1319431	5-23, 5-59	1319523	5-24, 5-59
10268515	4-25, 4-27	1319350	5-7, 5-43	1319433	5-19, 5-55	1319524	5-24, 5-59
10268516	4-25, 4-27	1319351	5-7, 5-43	1319434	5-19, 5-55	1319525	5-24, 5-59
1060379	3-34	1319352	5-7, 5-43	13194365-19, 5-21, 5-55, 5-57		1319526	5-23, 5-59
10701363	10-7	1319353 5-7, 5-12, 5-43, 5-48		1319438	5-19, 5-55	1319527	5-23, 5-59
10705034	3-45	1319354	5-7, 5-43	1319439	5-19, 5-55	1319529	5-23, 5-59
10717672	8-21	1319355	5-7, 5-43	1319440	5-19, 5-55	1319530	5-23, 5-59
10731702	5-79	1319356	5-7, 5-43	13194415-19, 5-21, 5-55, 5-57		1319531	5-23, 5-59
107317095-101, 5-102, 5-105		1319357	5-7, 5-43	1319444 5-8, 5-33, 5-44, 5-67		1319532	5-23, 5-59
10731744	5-83	1319358	5-7, 5-43	1319445	5-67	1319533	5-23, 5-59
10731748	5-79	1319359	5-7, 5-43	13194475-33, 5-35, 5-67, 5-71		1319534	5-24, 5-59
10731751	5-79	1319360	5-7, 5-43	1319448	5-33, 5-67	1319535	5-24, 5-59
10731789	5-35, 5-71	1319361	5-7, 5-43	1319449	5-33, 5-67	1319536	5-24, 5-59
10731790	5-21, 5-57	1319362	5-7, 5-43	1319450	5-33, 5-67	13195375-24, 5-27, 5-59, 5-63	
10731845	5-85, 5-87, 5-91	1319363	5-7, 5-43	1319451	5-33, 5-67	1319538	5-24, 5-59
10731913	5-81	1319364	5-7, 5-43	1319452	5-33, 5-67	13195395-24, 5-27, 5-59, 5-63	
10731949	5-27, 5-63	1319365	5-7, 5-43	1319453	5-33, 5-67	13195405-24, 5-27, 5-59, 5-63	
10731959	5-97	1319366	5-7, 5-43	1319454	5-33, 5-67	1319541	5-24, 5-59
10732063	5-101, 5-105	1319367	5-7, 5-43	1319455	5-33, 5-67	13195425-24, 5-27, 5-59, 5-63	
10732064	5-101	1319369	5-7, 5-43	1319456	5-33, 5-67	1319543	5-23, 5-59
10732071	5-99	1319370	5-7, 5-43	1319457	5-33, 5-67	13195455-24, 5-27, 5-59, 5-63	
10732072	5-99	1319371	5-7, 5-43	1319458	5-33, 5-67	1319557	5-81
10732095	5-79	1319372	5-7, 5-43	1319459	5-33, 5-67	1319558	5-81
10732150	1-11	1319373	5-7, 5-43	1319460	5-33, 5-67	1319563	5-81
10839156	5-97	1319374	5-7, 5-43	1319461	5-33, 5-67	1319565	5-81
1101312	4-25, 4-27	1319375	5-7, 5-43	1319462	5-33, 5-67	1319566	5-81
1101313	4-25, 4-27	1319376	5-7, 5-43	1319463	5-33, 5-67	1319569	5-83
1170021	3-7	1319377	5-7, 5-43	13194645-33, 5-35, 5-67, 5-71		1319570	5-83
1170024	3-7	1319378	5-7, 5-43	1319470	5-33, 5-67	1319571	5-83
1170027	3-7	1319379	5-7, 5-43	13194725-33, 5-35, 5-67, 5-71		1319574	5-83
1170054	3-11	1319380	5-7, 5-8, 5-43	1319475	5-33, 5-67	1319575	5-83
1170057	3-11	1319381	5-8, 5-44	13194775-33, 5-35, 5-68, 5-71		1319576	5-83
1319203	5-79	1319382	5-8, 5-44	1319483	5-37, 5-73	1319577	5-83
1319204	5-79	1319383	5-8, 5-44	1319484	5-37, 5-73	1319578	5-21, 5-27, 5-39, 5-57, 5-63, 5-75, 5-83
1319205	5-79	1319384	5-8, 5-44	1319485	5-37, 5-73	1319581	5-83, 5-107
1319206	5-79	1319385	5-8, 5-44	1319488	5-37, 5-73	1319582	5-83, 5-107
1319207	5-79	1319386	5-8, 5-44	1319491	5-23, 5-59	1319583	5-83
1319209	5-79	1319387	5-8, 5-44	1319496	5-23, 5-60	1319584	5-83
1319210	5-33, 5-67, 5-79	1319388	5-8, 5-44	1319497	5-23, 5-60	1319585	5-83, 5-107
1319211	5-79	1319389	5-44	1319499	5-23, 5-60		
1319212	5-79	1319390	5-8, 5-44	1319500	5-23, 5-60		
1319213	5-79	1319391	5-8, 5-44	1319501	5-23, 5-60		



Part Number	Page	Part Number	Page	Part Number	Page	Part Number	Page
1319586	5-83	1319643	5-97	1319722	5-107	1702773	3-33
1319587	5-83	1319646	5-97	1319723	5-107	1704277	3-34
1319590	5-83	1319647	5-97	1319724	5-107	1704885	3-33, 11-4
1319591	5-85	1319648	5-97	1319725	5-107	1706098	12-24
1319592	5-85	1319649	5-97	1319726	5-107	1706170	11-4
1319593	5-85, 5-87, 5-89, 5-91, 5-93, 5-95	1319650	5-99	1321148	5-19, 5-55	1706172	11-4
1319594	5-85, 5-87, 5-89, 5-91, 5-93, 5-95	1319652	5-99, 5-101	1321149	5-19, 5-55	1706176	11-5
1319595	5-85, 5-87, 5-89, 5-91, 5-93, 5-95	1319659	5-99	1321150	5-23, 5-60	1706203	11-4
1319596	5-85, 5-87, 5-91	1319661	5-99, 5-101	1321151	5-23, 5-60	1706204	11-4
1319600	5-85, 5-87, 5-89, 5-91, 5-93, 5-95	1319662	5-99	1321152	5-23, 5-60	1706281	11-4
1319601	5-85, 5-87, 5-89, 5-91, 5-93, 5-95	1319666	5-57	1321153	5-15, 5-51	1706284	11-4
1319602	5-85, 5-87, 5-89, 5-91, 5-93, 5-95	1319670	5-101, 5-105	1321154	5-15, 5-51	1706285	11-4
1319603	5-85, 5-87, 5-89, 5-91, 5-93, 5-95	1319671	5-101	1321157	5-33, 5-67	1706288	11-4
1319604	5-85, 5-87, 5-89, 5-91, 5-93, 5-95	1319673	5-101	1321158	5-23, 5-59	1706296	11-4
1319605	5-85, 5-87, 5-91	1319674	5-101	1321159	5-24, 5-59	1706299	11-4
1319606	5-85, 5-87, 5-91	1319675	5-101	1321161	5-23, 5-51	1706300	12-24
1319607	5-85	1319676	5-101	1321162	5-23, 5-60	1706301	11-4
1319608	5-85, 5-95	1319677	5-101	1321163	5-23, 5-60	1706306	11-4
1319609	5-85	1319678	5-101	1321164	5-33, 5-67	1706768	11-5
1319610	5-85	1319679	5-101	1321166	5-33	1706790	11-4
1319611	5-85	1319680	5-101	1321172	5-29, 5-65	1706791	11-4
1319612	5-85, 5-87, 5-89, 5-91, 5-93, 5-95	1319681	5-101	1321174	5-23, 5-60	1706792	11-4
1319613	5-87	1319682	5-101	1321176	5-33	1706793	11-5
1319614	5-87	1319683	5-101	1321178	5-65	1706794	11-5
1319615	5-87, 5-91, 5-93	1319684	5-101	1321180	5-29	1706795	11-5
1319616	5-89	1319685	5-101	1321181	5-29	1706797	11-4
1319617	5-89, 5-93, 5-95	1319686	5-101	1321184	5-15, 5-51	1706850	3-15
1319618	5-89, 5-93, 5-95	1319687	5-101	1321187	5-7	1706892	3-33
1319619	5-89	1319688	5-101	1321188	5-15, 5-51	2000218	4-5
1319620	5-89, 5-93, 5-95	1319689	5-101	1321206	5-29	2080040	3-34
1319621	5-89, 5-93, 5-95	1319690	5-101	1321207	5-29	2080044	3-33
1319622	5-89, 5-93, 5-95	1319691	5-101	1321208	5-29	2110606	3-11, 3-45, 8-21
1319623	5-89, 5-93, 5-95	1319692	5-101	1321211	5-8, 5-44	2110608	3-11
1319624	5-89, 5-93, 5-95	1319693	5-101	1321217	5-15	2110808	3-11
1319625	5-89, 5-93, 5-95	1319694	5-101	1321219	5-15	2130606	3-45, 8-3, 8-7
1319626	5-89, 5-93, 5-95	1319695	5-101	1321220	5-15	2130608	3-45
1319627	5-89, 5-93, 5-95	1319696	5-101, 5-105	1321221	5-15	2131210	8-29, 8-31
1319628	5-89, 5-93, 5-95	1319697	5-101	1321223	5-51	2131216	4-17, 4-19
1319629	5-89, 5-93, 5-95	1319698	5-101	1321224	5-15, 5-51	2170706	8-3, 8-7
1319630	5-89, 5-93, 5-95	1319699	5-101	13212265-33, 5-35, 5-67, 5-71		2172106	3-11, 8-3, 8-7, 8-21
1319631	5-89, 5-93, 5-95	1319700	5-101	1321231	5-37, 5-73	2220237	9-37, 9-39
1319632	5-89, 5-93, 5-95	1319701	5-101	1321236	5-55	2220238	8-22
1319633	5-89, 5-97	1319702	5-101, 5-105	1321237	5-8, 5-44	2220239	9-37, 9-39
1319634	5-91	1319703	5-101, 5-105	1321242	5-37, 5-73	2220251	6-27
1319635	5-91	1319704	5-101	1321244	5-29	2220371	3-9, 3-21, 8-3, 8-7, 8-17, 8-21
1319636	5-91, 5-93, 5-95	1319705	5-101	1321245	5-33, 5-67	2220372	3-9, 8-17
1319637	5-93	1319707	5-101, 5-105	1321246	5-33, 5-67	22203738-15, 8-19, 8-21, 8-25	
1319638	5-93, 5-95	1319708	5-101	1321247	5-37, 5-73	2220375	8-11
1319639	5-95	1319709	5-105	1321259	5-51	2220381	8-19, 8-25
1319641	5-97	1319710	5-105	1321260	5-51	2220385	8-13, 8-19, 8-21
		1319711	5-105	1321262	5-15, 5-51	2220415	3-13, 3-15
		1319712	5-105	1321797	4-5	2220435	8-21, 8-37
		1319713	5-105	1560028	1-9	2220451	8-11, 8-27
		1319714	5-105	1600373	7-9	2220473	3-13, 3-15, 8-3, 8-7, 8-17, 8-21
		1319715	5-105	1600429	7-13	2220474	8-13, 8-15, 8-19
		1319718	5-107	1684455	9-7	2220500	8-19, 9-37, 9-39
		1319719	5-107	1684537	9-9	2220501	8-17
		1319720	5-107	1701509	3-34		
		1319721	5-107	1701640	11-5		



## PART NUMBER INDEX

Part Number	Page	Part Number	Page	Part Number	Page	Part Number	Page
2220578	8-11	2716769	8-19	31200160	3-33	4110364	11-4
22205968-13, 8-15, 8-19, 8-21		2716770	8-3	31200336	3-33	4110422	3-23, 3-25, 3-27
2220602	8-3, 8-7, 8-21	2716771	8-21	31200387	3-33	4110460	12-24
2220603	8-7	2716772	8-19	31200388	3-33	4110461	3-37
2220606	8-3, 8-7	2716773	8-19	3140007	6-3, 11-5	4110473	3-13, 3-45
2220609	3-13, 3-15	2716774	8-21	3251813	11-4	4340809	4-5
2220622	8-19	2716775	8-19	3290601	10-13	4340812	4-25
2220628	3-13, 3-15, 3-21	2716776	8-19	3290801	10-13	4341004	4-5
2220630	8-3	2716778	8-11	3300240	3-7, 3-11	4360609	10-9
2220635	8-8	2716779	8-33	3311401	4-21, 12-33	4360690	7-15, 12-33
2220651	8-25	2716780	8-21	3311405	3-34	4420037	1-11
2220655	8-11, 8-19	2716781	8-21	3311601	2-7	4461101	12-33
2220657	8-3, 8-7	2716783	8-21	3311605	4-21	4461102	12-33
2220683	8-19	2716784	8-11	3311805	8-37	4461103	12-33
2220695	8-11	2716785	8-11	3380679	6-3	4520319	5-117
2220700	8-19	2716786	8-33	3400022	7-11	4520320	5-115
2220775	3-13	2716807	8-21	3421453	3-34	4520405	5-111
2220806	6-27	2716808	8-21	3423226	2-7	4520407	5-115
2221123	8-3, 8-7	2717007	9-5	3423227	1-9, 2-7, 9-9, 9-27	4520412	5-113
2230025	8-25	2717008	9-3	3423242	3-7, 3-11	4520413	5-117
2230035	8-3, 8-7	2717018	8-11	3423275	3-7, 3-11	4520429	5-111
2230044	8-25	2717019	8-17	3423276	3-7, 3-11, 3-15	4520430	5-111
2230046	8-11	2717020	8-17	3423307	3-11	4520431	5-115
2340037	3-31	2717021	8-17	3520072	3-33	4520432	5-115
2340038	3-31	2717022	8-17	3520198	3-33	4520435	5-115
2340039	3-31	2717033	8-21	3575603	1-7, 1-9	4520437	5-111
2340045	3-31	2717149	8-29	3575604	1-7, 1-9	4520438	5-115
2340046	3-31	2717150	8-29	3575947	4-5	4520466	5-113
2600281	3-33	2717158	8-35	3576442	7-11	4520467	5-117
2711992	3-9	2717159	8-35	3620059	4-19	4520469	5-117
2713082	8-25	2717160	3-45	3760170	3-34	4520648	5-117
2713452	8-13, 8-15	2717161	3-45	3820020	3-33	4520649	5-117
2716143	12-17	2717162	3-45	3841203	3-11	4520650	5-117
2716153	12-13	2717197	9-25	3980039	6-21	4520651	5-115
2716563	9-11, 9-15	2717198	9-21	4100181	11-4	4520652	5-115
2716564	9-19	2717200	12-15	4105171	11-4	4520653	5-115
2716614	9-17	2717216	9-13	4105262	11-4	4640438	9-43
2716615	9-23	2717260	9-27	4105621	7-21	4641501	3-45
2716621	8-27	2717262	9-7	4107442	11-4	4641502	3-45
2716622	8-27	2717283	3-45	4107462	11-4	4711400	3-34, 4-19, 10-9, 10-13, 12-33
2716670	8-7	2717287	3-13, 3-15	4107692	3-13	4711500	4-8
2716673	8-19	2720549	4-25	4107702	3-13	4711600	2-7, 4-13
2716675	8-11	2720551	4-11	4107712	3-13	4740362	4-21
2716684	8-13, 8-15	2720555	4-17, 4-19	4107812	3-25	4751400	3-33
2716695	8-3, 8-7	2754736	8-3, 8-7	4107832	3-25	4751600	4-21, 4-33, 4-35, 12-35
2716696	8-19	2754737	8-3, 8-7	4107901	11-4	4751700	4-21, 4-33, 12-35
2716697	8-3	2755059	8-11	4108232	3-9	4751800	8-37
2716699	8-3, 8-7	2755060	8-11	4108302	11-4	4761500	4-8
2716700	8-3, 8-7	2900770	9-7, 9-43	4110176	11-4	4761600	4-13
2716713	8-25	2915023	9-45	4110177	11-4	4791500	6-3
2716714	8-13, 8-15	2915034	4-5	4110179	11-4	4811900	4-7
2716761	8-3	2915036	4-5	4110183	11-4	4812000	10-13
2716762	8-3, 8-7	2915052	12-31	4110187	11-4	4812300	7-17, 7-19, 7-21
2716763	8-3, 8-7	2915054	4-19	4110188	11-4	4821433	1-7
2716764	8-17	2915063	10-10	4110226	11-4	4821434	1-7
2716765	8-3	2915161	12-33	4110253	12-20	4821449	1-7, 1-9
2716766	8-3, 8-7	2915170	4-5	4110339	11-4	4821450	1-7
2716767	8-13, 8-15	2915184	10-10	4110342	11-4		
2716768	8-25	2940074	3-33	4110362	11-4		



Part Number	Page	Part Number	Page	Part Number	Page	Part Number	Page
4831700	10-13	70021361	3-41	70022044	9-45	70022229	5-17, 5-53
4831900	4-7, 10-13	70021362	3-41	70022045	9-45	70022230	5-35, 5-71
4832000	4-7	70021364	3-41	70022046	9-45, 12-15	70022231	5-47
4832100	4-7	70021365	3-41	70022052	5-67	70022233	5-39, 5-75
4846452	3-33	70021366	3-41	70022170	5-71	70022234	5-35, 5-71
4891800	3-11	70021367	3-41	70022171	5-27, 5-63	70022235	5-27, 5-63
4892200	1-9	70021387	3-21, 3-41	70022172	5-21, 5-57	70022236	5-27, 5-63
4892600	1-9	70021391	3-41	70022173	5-21, 5-57	70022237	5-35, 5-71
4922984	10-9	70021392	3-41	70022174	5-21, 5-57	70022238	5-35, 5-71
4922985	12-24	70021393	9-41	70022175	5-21, 5-57	70022239	5-75
4922987	12-24	70021399	3-41	70022176	5-27, 5-63	70022240	5-35, 5-71
4923018	10-9	70021415	3-23	70022177	5-21, 5-57	70022241	5-21, 5-57
4923283	10-9	70021440	9-41	70022178	5-21, 5-57	70022242	5-39, 5-75
4923285	10-9	70021444	9-41	70022179	5-35, 5-71	70022243	5-39, 5-75
4923334	12-33	70021446	9-41	70022180	5-21, 5-57	70022244	5-48
4923342	12-33	70021447	9-41	70022181	5-21, 5-57	70022245	5-12, 5-48
4923363	10-9	70021448	9-41	70022182	5-21, 5-57	70022246	5-21, 5-57
4923649	12-5	70021451	9-41	70022183	5-27, 5-63	70022247	5-21, 5-57
5724302	1-7, 1-9	70021452	9-41	70022184	5-21, 5-57	70022248	5-31
5724622	2-3, 2-5, 2-7	70021464	9-41	70022185	5-17, 5-53	70022249	5-35, 5-71
5724742	1-11	70021465	9-41	70022186	5-27, 5-63	70022250	5-27, 5-63
6040500	3-5	70021466	9-41	70022187	5-35, 5-71	70022251	5-31
6040600	3-5	70021495	5-19, 5-55	70022188	5-35, 5-71	70022252	5-31
6040700	3-5	70021546	6-27	70022189	5-27, 5-63	70022253	5-27, 5-63
6604662	3-13, 3-15	70021553	5-67, 5-71	70022190	5-27, 5-63	70022254	5-21, 5-57
6608621	3-13	70021554	5-35, 5-67, 5-71	70022191	5-31	70022255	5-21, 5-57
6620472	6-27	70021555	5-73	70022192	5-31	70022256	5-39, 5-75
6621412	10-13	70021564	9-15	70022193	5-27, 5-63	70022257	5-35, 5-71
6623576	12-27	70021568	5-19, 5-55	70022194	5-27, 5-63	70022259	5-21, 5-57
70020143	5-29	70021569	5-19, 5-55	70022195	5-31	70022260	5-17
70020210	4-5	70021570	5-19, 5-55	70022196	5-27, 5-63	70022261	5-17
70020211	4-5	70021571	5-19, 5-55	70022197	5-39, 5-75	70022262	5-17, 5-53
70020228	4-39, 4-41	70021617	5-19, 5-55	70022198	5-27, 5-63	70022263	5-17
70020369	9-3	70021726	5-19, 5-55	70022199	5-31	70022264	5-17
70020408	5-60	70021812	9-45, 12-15	70022200	5-17, 5-53	70022280	5-47
70020409	5-60	70021847	4-7	70022201	5-21, 5-57	70022282	5-63
70020413	5-60	70021848	4-7	70022202	5-31	70022284	5-53
70020425	5-99	70021849	4-7	70022203	5-35, 5-71	70022285	5-53
70020426	5-99	70021850	4-7	70022204	5-21, 5-57	70022527	3-41
70020427	5-105	70021851	4-13	70022205	5-21, 5-57	70022528	3-21
70020428	9-45, 12-13, 12-15	70021852	4-7	70022206	5-21, 5-57	70022529	3-21
70020430	5-97	70021854	4-7	70022207	5-39, 5-75	70022610	5-19, 5-55
70020431	5-97	70021908	9-43	70022208	5-71	70022692	4-21
70020483	5-23, 5-60	70021921	3-21, 3-23	70022209	5-27, 5-63	70022693	4-21
70020484	5-23, 5-60	70021935	3-21, 3-23	70022210	5-57	70022695	4-21
70020485	5-23, 5-60	70021948	6-17	70022211	5-17, 5-53	70022696	4-21
70020486	5-23, 5-60	70021977	3-21, 3-23	70022213	5-12, 5-48	70022716	9-33
70020487	5-23, 5-60	70021978	3-21, 3-23	70022215	5-63	70022717	9-33
70020562	3-41	70021979	3-21, 3-23	70022216	5-11	70022718	9-33
70020628	6-17	70021980	3-41	70022217	5-21, 5-57	70022719	9-33
70020631	6-28	70021981	3-41	70022218	5-35, 5-71	70022720	9-33
70020799	9-33	70021982	3-41	70022219	5-21, 5-57	70022721	9-33
70021305	6-3	70022028	3-21, 3-23	70022220	5-12, 5-48	70022722	9-34
70021306	6-3	70022038	9-43	70022221	5-75	70022723	9-34
70021342	3-23, 3-41	70022039	9-43	70022223	5-35, 5-71	70022724	9-34
70021349	3-21, 3-23	70022040	9-43	70022225	5-17, 5-53	70022774	5-11
70021358	3-41	70022041	9-43	70022226	5-17, 5-53	70022775	5-11
70021359	3-41	70022042	9-43	70022227	5-17, 5-53	70022776	5-12
70021360	3-41	70022043	9-43	70022228	5-17, 5-53	70022777	5-21



# PART NUMBER INDEX

Part Number	Page	Part Number	Page	Part Number	Page	Part Number	Page
70022778	5-27	70023599	4-21	7029269	4-5		2-11
70022779	5-27	70023890	6-21	7029270	4-5	7097323	4-23
70022780	5-27, 5-31	70023925	3-49	7029271	5-109	7098142	7-19
70022781	5-35	70023968	4-17, 4-19	7029367	7-13	7099882	10-7, 10-9, 10-13
70022782	5-35	70024059	3-21	7029417	5-107	7110494	3-13
70022783	5-35	70024060	3-21	7029520	3-29	7110694	3-13
70022784	5-39	70024061	3-21	7029521	3-29	7110702	3-13, 3-15
70022785	5-39	70024062	3-21	7029522	3-29	7110712	3-13, 3-15
70022789	5-21	70024063	3-21	7029525	4-5	7110722	3-13, 3-15
70022842	4-7	70024064	3-21	7029532	5-87, 5-89, 5-97	7110744	3-3
70022843	4-7	70024306	3-31	7029533	5-87, 5-89, 5-97	7111402	8-25
70022844	4-7	70024307	3-31	7029692	3-23, 3-41	7111572	2-3, 2-5, 2-7, 2-9, 2-11
70022845	4-7	7009764	9-33	7029714	3-41		
70022846	4-7	7012903	9-21	7029716	9-37, 9-39	7112523	3-17
70022931	3-48	7013903	9-31	7029720	5-99	7112533	3-17
70022932	3-48	7013928	9-31	7029721	5-99	7112642	3-17, 3-19
70022934	3-48	7013930	9-31	7029760	9-43	7112704	3-17
70022935	3-49	7017278	9-25, 9-27	7029829	4-5	7113024	3-25
70022936	3-49	7017283	9-25	7029830	4-5	7113034	3-25
70022937	3-49	7017496	9-21	7029860	6-23	7114112	2-15
70022939	3-49	7023523	3-29	7029991	4-5	7114941	3-17, 3-19
70022942	3-49	7024441	9-37, 9-39	7054351	4-5, 4-7, 5-3	7116642	2-9
70022946	3-49	7024574	9-45, 12-13, 12-15	70571414-15	4-17, 4-19, 4-21	7116652	2-9
70022949	3-49	7026666	4-5	7062922	3-13, 3-15	7116662	2-9
70022950	3-49	7026758	5-85, 5-87, 5-89, 5-91, 5-93, 5-95	7065482	3-9	7116691	2-9
70022952	3-49			7070191	3-9	7116733	2-9
70022957	3-48	7026759	5-85, 5-87, 5-89, 5-91, 5-93, 5-95	7075611	2-3, 2-5, 2-7	7116792	2-3, 2-5, 2-7
70022960	3-48			7077481	3-9	7116812	2-9
70022969	3-48	7026760	5-85, 5-87, 5-89, 5-91, 5-93, 5-95	7077501	3-9	7117031	2-17
70022970	3-48			7077511	3-9	7117113	2-11
70022980	3-49	7026798	6-21	7079572	2-3, 2-5, 2-7, 2-9, 2-11	7117204	3-9
70022984	3-48	7026799	6-21			7117214	3-9
70022985	3-48	7026900	6-21	7082311	2-3, 2-5, 2-7, 2-9, 2-11	7117244	3-9
70022987	3-48	7026901	6-21			7117254	3-9
70022990	3-49	7026902	6-21	7082342	2-3, 2-5, 2-7, 2-9, 2-11	7117264	3-9
70022992	3-48	7026905	6-21			7117572	2-15
70022993	3-48	7026906	6-21	7082362	2-3, 2-5, 2-7, 2-9, 2-11	7118222	9-37, 9-39
70022994	3-48	7027212	5-29			7118882	2-13
70022995	3-48	7027273	5-97	7083992	2-11	7118892	2-13
70022998	3-49	7028737	6-11	7085411	3-9	7118993	3-5
70023003	3-48	7028739	9-25, 9-27	7085422	4-15, 4-17, 4-19	7124301	1-3, 1-5, 1-7, 1-9
70023004	3-48	7028783	4-5	7085501	3-9	7124331	4-3
70023005	3-49	7028838	4-11	7085552	2-13	7124471	1-3, 1-5, 1-7, 1-9
70023006	3-49	7028979	5-67	7085562	2-13	7125741	3-9
70023007	3-49	7029005	4-19	7085571	2-13	7125800	3-13
70023008	3-48	7029006	12-31	7091323	7-21	7125811	2-11
70023009	3-48	7029037	5-99	7092292	1-3, 2-3	7125871	1-3, 1-5, 1-7, 1-9, 7-21
70023010	3-48	7029104	5-29	7095272	4-3, 4-5		
70023014	3-48	7029153	9-21	7095312	2-11	7126662	2-15
70023015	3-49	7029242	12-31	7095352	2-11	7126703	4-15
70023016	3-48	7029246	9-21	7095393	4-23	7126992	4-29
70023034	6-27	7029247	9-25, 9-27	7095522	2-11	7127081	4-11
70023040	6-21	7029248	9-25	7095831	4-3, 4-5, 4-7	7127091	7-7
70023041	6-21	7029249	9-25, 9-27	7096491	6-19	7127102	7-7
70023139	6-21	7029250	9-25, 9-27	7096552	2-3, 2-5, 2-7	7127881	4-11
70023141	9-5	7029251	9-27	7096562	2-3, 2-5, 2-7	7128511	12-24
70023265	9-17	7029264	4-39, 4-41	7096702	2-9, 2-11	7128772	3-5, 3-9
70023482	5-79	7029265	4-39, 4-41	7096772	2-3, 2-5, 2-7	7128792	3-5, 3-9
70023483	5-79	7029268	4-5	7096882	2-3, 2-5, 2-7, 2-9,	7129300	3-17



Part Number	Page	Part Number	Page	Part Number	Page	Part Number	Page
7129521	7-3, 7-5	7139267	6-11	7150673	12-3	7301500	4-7
7129973	4-15	7139268	6-11	7150679	12-5, 12-9	7301505	4-31
7137142	1-3, 1-5, 1-7, 1-9	7139269	12-29	7150680	12-6, 12-10	7301506	4-31
7137643	4-37	7139271	7-3	7150681	12-5, 12-10	7301522	12-24
7138209	9-37, 9-39	7139290	6-15	7150685	12-5, 12-9	7301523	12-24
7138290	4-3	7139292	6-15	7150687	12-3, 12-5, 12-6, 12-9, 12-10	7301524	12-24
7138318	4-29	7139293	6-15	7150688	12-3	7301525	12-24
7138515	4-15	7139294	6-15	7150689	12-5, 12-9	7301568	3-45
7138529	12-20	7139295	6-15	7150690	12-6, 12-10	7301569	3-45
7138634	5-3	7139296	6-15	7150695	12-27	7301579	3-45
7138658	5-113	7139298	6-8, 6-11, 6-15	7150696	12-27	7301585	7-11
7138659	5-113	7139299	6-8, 6-11, 6-15	7150697	12-27	7301648	4-17, 4-19
7138660	5-113	7139301	6-12, 6-28	7150699	12-5, 12-9	7301649	4-17, 4-19
7138661	5-113	7139308	6-8	7150702	12-5, 12-9	7301651	4-17, 4-19
7138740	9-37, 9-39	7139316	6-8, 6-11, 6-15	7150703	12-5, 12-9	7301653	4-17, 4-19
7138815	4-29	7139406	1-11	7150704	12-9	7301718	3-37
7138816	4-29	7139416	2-15, 2-17	7150705	12-3	7301818	10-3
7138819	6-3	7139444	6-7, 6-11, 6-15	7150706	12-27	7301829	12-24
7138830	10-7	7139446	4-15	7150707	12-3	7301833	4-17, 4-19
7138833	7-13	7139447	4-15	7150708	7-15	7301835	10-9
7138836	7-13	7139455	1-11	7150714	10-7	7301836	10-9
7138857	6-3	7139504	8-13, 8-15	7150716	12-5, 12-9	7301845	5-115
7138858	6-19, 6-21	7139505	8-13, 8-15	7150717	12-5, 12-9	7301859	10-9
7138871	4-29	7139509	5-109	7150730	12-3, 12-5, 12-9	7301862	9-37, 9-39
7138878	7-13	7139553	4-23	7150741	12-9	7301863	9-37
7138881	4-3	7139587	4-3	7150742	12-5	7301864	10-9
7138883	6-19	7139591	4-3	7150745	10-7	7301893	10-13, 12-24
7138944	6-3	7139595	4-3	7150746	10-7	7302024	2-5
7138951	6-8, 6-11, 6-15	7139605	5-111	7300214	8-15	7302028	5-109
7138952	6-11	7139606	5-111	7300344	10-9, 10-13	7302039	1-5, 1-7, 2-5
7138953	6-11	7139608	3-21	7300656	2-3	7302052	2-5, 2-7
7138958	6-8, 6-11, 6-15	7139613	1-3, 1-5, 1-7, 1-9	7300670	8-11	7302073	6-3
7138977	2-17	7139690	2-15	7300671	8-11	7302074	6-3
7138986	2-17	7139692	2-17	7300672	8-13, 8-15	7302076	6-3
7139027	7-3	7139714	1-11	7300673	8-13, 8-15	7302077	6-3
7139032	2-15, 2-17	7139739	5-115	7300674	8-25	7302085	4-11
7139048	6-7, 6-11	7139740	5-115	7300675	8-25	7302189	11-5
7139049	6-27	7139741	5-111	7300704	5-111	7302304	4-31
7139050	6-7, 6-11	7139743	5-68, 5-111	7300719	11-4	7302331	7-9
7139076	9-37, 9-39	7139746	3-31	7300748	2-3	7310012	10-9
7139077	9-37, 9-39	7139747	3-31	7300762	1-3, 1-5	7310020	12-24
7139135	6-3	7139763	4-15	7300765	1-3, 1-5	77143006	10-14
7139156	1-3, 1-5, 1-7, 1-9	7139778	4-15	7300777	1-3, 1-5	77383377	10-9, 10-13, 12-33
7139159	5-117	7139788	8-33, 8-35, 8-37	7300908	12-20	77384830	4-31, 4-33
7139160	5-117	7139863	2-13	7300972	4-25	8024016	4-3
7139161	5-117	7139864	2-13	7300983	3-9	8024021	7-17
7139162	5-117	7139918	3-45	7301006	4-23	8024022	7-19
7139165	5-113	7139993	8-21	7301040	3-21	8024023	7-21
7139168	5-113	7147400	12-27	7301054	5-113, 5-117	8024024	7-3
7139174	6-27	7148100	6-28	7301055	5-111, 5-115	8024029	4-15
7139179	8-4, 8-8	7148700	12-5	7301056	5-113, 5-117	8024031	4-15
7139180	2-15	7150579	5-109	7301142	5-111, 5-115	8025655	12-13, 12-15
7139212	8-3, 8-7	7150580	5-109	7301180	3-37	80263012	3-33
7139250	6-15	7150608	1-11	7301252	9-39	80264074	6-17
7139254	12-20	7150610	9-37	7301295	3-45	80264082	6-7
7139257	12-20	7150642	4-29	7301408	3-31, 3-45	80304047	5-11
7139258	12-20	7150655	9-37	7301448	12-24	80304082	5-12, 5-48
7139263	12-29	7150661	1-11	7301498	4-33	80304088	5-11, 5-47
7139264	12-29	7150668	12-27			80304089	5-11, 5-47



## PART NUMBER INDEX

Part Number	Page	Part Number	Page	Part Number	Page	Part Number	Page
80304090	5-11, 5-47	80304160	5-11, 5-47	8035437	6-7, 6-11	8035877	5-7
80304091	5-11, 5-47	80304161	5-11, 5-47	8035439	6-17	8035927	5-19, 5-55
80304092	5-11, 5-47	80304162	5-11, 5-47	8035441	6-17	8035929	5-19, 5-55
80304093	5-11, 5-47	80304163	5-11, 5-47	8035475	6-7	8035930	5-55
80304094	5-11, 5-47	80304164	5-11, 5-47	8035477	6-7	8035931	5-19, 5-55
80304095	5-11, 5-47	80304165	5-11, 5-47	8035478	6-7	8035932	5-19, 5-55
80304096	5-11, 5-47	80304166	5-11, 5-47	8035479	6-7, 6-11, 6-23, 6-27	8035933	5-19, 5-55
80304097	5-12, 5-47	80304167	5-11, 5-47	8035486	6-7	8035936	5-23, 5-60
80304099	5-12, 5-47	80304168	5-11, 5-47	8035487	6-7, 6-11	8035939	5-23, 5-60
80304100	5-12, 5-47	80304169	5-11, 5-47	8035490	6-8, 6-12, 6-15	8035945	5-23, 5-59
80304101	5-12, 5-47	80304173	5-35, 5-71	8035492	6-25	8035946	5-23, 5-59
80304102	5-12, 5-47	80304405	5-33, 5-67, 5-81	8035493	6-25	8035947	5-23, 5-59
80304104	5-12, 5-47	80304462	5-27, 5-63	8035496	6-25	8035948	5-24, 5-59
80304107	5-12, 5-47	8032398	4-23	8035498	6-25	8035951	5-23, 5-59
80304108	5-12, 5-47	8032693	9-33	8035499	6-25	8035952	5-29
80304110	5-11, 5-47	8032989	9-33	8035500	6-25	8035958	5-29
80304111	5-11, 5-47	8032990	9-33	8035523	6-12, 6-15	8035973	5-33, 5-67
80304112	5-11, 5-47	8032991	9-33	8035536	9-3, 9-17, 9-45, 12-13, 12-15	8035981	5-19, 5-55
80304113	5-11, 5-48	8032992	9-33, 9-34	8035555	4-37	8035982	5-7, 5-43
80304114	5-48	8032993	9-33	8035556	4-37	8035983	5-8, 5-44
80304115	5-11, 5-48	8032994	9-19, 9-21, 9-33	8035557	4-37	8035984	5-51
80304117	5-11, 5-48	8032995	9-33	8035558	4-37	8035985	5-15, 5-51
80304118	5-11, 5-48	8033002	5-109	8035559	4-37	8035986	5-55
80304119	5-11, 5-48	8033065	6-23	8035599	6-27	8035987	5-55
80304120	5-11, 5-48	8033075	6-23	8035631	6-17	8035989	5-55
80304121	5-12, 5-48	8033178	7-7, 7-9	8035632	6-17	8035990	5-55
80304122	5-12, 5-48	8033340	4-3	8035637	6-7	8035992	5-33, 5-67
80304123	5-12, 5-48	8033651	5-109	8035639	6-7, 6-11	8035993	5-33, 5-67
80304124	5-11, 5-48	8033786	9-45, 12-13, 12-15	8035668	6-27	8035994	5-33, 5-67
80304125	5-12, 5-48	8033856	6-17, 6-28	8035720	9-17	8035995	5-33, 5-67
80304126	5-12, 5-48	8034037	9-19, 9-33	8035744	9-29	8035996	5-33, 5-67
80304127	5-12, 5-48	8034562	9-33	8035745	9-29	8035997	5-33, 5-67
80304128	5-12, 5-48	8034815	6-23	8035757	9-11, 9-15	8035998	5-19, 5-55
80304129	5-12, 5-48	8035098	4-23	8035758	9-11, 9-15	8036009	6-19
80304130	5-12, 5-48	8035099	4-23	8035774	9-33	8036010	6-19
80304131	5-12, 5-48	8035276	10-7	8035775	9-33	8036011	6-19
80304132	5-12, 5-48	8035281	9-19, 9-21	8035777	5-109	8036013	6-19
80304133	5-12, 5-48	8035282	9-19, 9-21	8035781	9-19, 9-21	8036014	6-19
80304134	5-12, 5-48	8035321	9-5, 9-7, 9-9, 9-17	8035783	9-19	8036015	6-19
80304135	5-12, 5-48	8035322	9-11, 9-15, 9-19	8035805	10-7	8036017	6-19
80304136	5-12, 5-48	8035323	9-11, 9-15, 9-19	8035807	7-15	8036019	9-19
80304137	5-12, 5-48	8035324	9-11, 9-15, 9-19	8035830	12-13	8036020	9-19
80304143	5-47	8035326	9-11, 9-15, 9-19	8035831	12-17	8036021	5-79
80304144	5-11, 5-47	8035327	9-5, 9-7, 9-9, 9-11, 9-15, 9-17	8035834	9-31	8036022	5-79
80304145	5-11, 5-47	8035346	9-31	8035835	9-31	8036023	5-81
80304146	5-11, 5-47	8035347	9-31	8035843	9-31	8036024	5-83
80304147	5-11, 5-47	8035348	9-31	8035844	9-31	8036025	5-83
80304148	5-11, 5-47	8035381	9-31	8035848	9-31	8036026	5-83
80304149	5-11, 5-47	8035392	6-23	8035849	9-31	8036027	5-83
80304150	5-11, 5-47	8035393	6-23	8035861	12-13, 12-15	8036028	5-83
80304151	5-11, 5-47	8035402	6-27	8035862	9-45, 12-13, 12-15	8036029	5-87, 5-89, 5-91, 5-93, 5-95
80304152	5-11, 5-47	8035406	6-27	8035863	9-45, 12-13, 12-15	8036030	5-97
80304153	5-11, 5-47	8035409	6-23	8035864	12-15	8036031	5-97
80304154	5-11, 5-47	8035411	6-23	8035865	12-17	8036032	5-97
80304155	5-11, 5-47	80354166-7, 6-11, 6-17, 6-23, 6-27	6-27	8035866	12-17	8036033	5-99
80304156	5-11, 5-47	8035417	6-27	8035867	12-17	8036035	5-99
80304157	5-11, 5-47	8035431	6-27	8035868	12-17	8036036	5-101
80304158	5-11, 5-47			8035876	5-7	8036037	5-101
80304159	5-11, 5-47						



Part Number	Page	Part Number	Page	Part Number	Page	Part Number	Page
8036038	5-101	8036131	9-23	8036320	5-29	8036590	9-3
8036039	5-101	8036132	9-5, 9-7, 9-9	8036321	5-29	8036606	5-60
8036040	5-101	8036144	9-17	8036322	5-29	8036733	3-45
8036041	5-107	8036149	9-17	8036329	5-33, 5-67	8036745	4-23
8036042	5-107	8036174	9-31	80363305-33	5-35, 5-67, 5-71	8036747	9-21
8036048	6-7	8036175	9-31	80363315-37	5-55, 5-59, 5-73	8036750	9-7, 12-17
8036049	6-25	8036177	9-31	8036336	5-19	8036751	5-43
8036050	6-7, 6-11	8036178	9-31	8036338	5-33, 5-67	8036758	5-21, 5-57
8036056	6-23	8036179	9-31	8036356	9-33	8036759	5-21, 5-57
8036057	6-7, 12-29	8036180	9-31	8036385	8-4, 8-8	8036811	9-21, 9-27
8036058	6-7, 12-29	8036187	9-33	8036388	6-27	8036812	4-17, 4-19
8036059	6-7, 6-11	8036190	5-87, 5-89, 5-97	8036389	9-17	8036816	4-17, 4-19
8036060	6-7, 6-11	8036192	9-19, 9-21	8036390	9-17	8036825	9-21
8036061	6-7, 6-11	8036195	9-19	8036391	9-17	8036826	9-21
8036062	6-17	8036196	6-7, 6-11	8036392	9-17	8036827	9-21
8036064	6-17	8036197	6-7, 6-11	8036393	9-5, 9-17	8036828	9-21
8036065	6-17	8036198	6-8, 6-12	8036394	9-5, 9-7, 9-9	8036847	5-63
8036066	6-7, 6-11	8036199	6-8, 6-12	8036396	9-5, 9-7, 9-9	8036848	5-29
8036067	6-12	8036204	4-7	8036397	9-5, 9-7, 9-9	8036849	5-29
8036068	6-12	8036209	12-5, 12-9	8036398	9-5, 9-7, 9-9	8036852	5-29
8036069	6-11	8036210	12-5, 12-9	8036399	9-23	8036854	5-29
8036070	6-23	8036212	12-5, 12-9	8036400	9-23	8036855	5-29
8036071	6-7, 6-12	8036213	12-5, 12-9	80364001	6-17	8036856	5-29
8036072	6-23	8036214	12-5, 12-9	80364009	6-17	8036859	5-29
8036073	6-7, 6-11	8036215	12-5, 12-9	8036401	9-23	8036861	5-29
8036076	6-17	8036216	12-3, 12-5, 12-6, 12-9, 12-10	8036402	9-3	8036862	5-29
8036077	6-17	8036217	12-3, 12-5, 12-6, 12-9, 12-10	80364020	6-27	8037080	9-23
8036078	6-17	8036218	12-3, 12-5, 12-6, 12-9, 12-10	8036403	9-3	8037204	6-15
8036079	6-17	8036219	12-6, 12-10	80364044	6-7	8037206	6-7
8036080	6-17	8036220	12-6, 12-10	8036406	9-3	80373094	4-25, 4-27
8036085	6-17	8036221	12-6, 12-10	8036410	6-27	80384187	6-17
8036088	6-17	8036222	12-6, 12-10	8036418	5-21, 5-57	80384192	6-17
8036090	6-17	8036229	9-3	8036421	6-27	80384193	6-17
8036091	6-17	8036250	5-107	8036424	5-7	80384207	6-23
8036092	6-17	8036263	9-31	8036426	5-15	8040267	5-5
8036093	6-17	8036271	9-29	8036427	5-15	8040274	5-41
8036094	6-17	8036281	9-31	8036428	9-29	8050001	1-3, 1-5, 1-7, 1-9
8036095	6-17	8036282	9-31	8036429	9-29	8065062	3-13, 3-15, 12-13
8036096	6-17	8036283	9-31	8036430	5-19	8065634	3-9
8036097	6-17	8036284	9-31	8036431	5-19	80656401-3	1-5, 1-7, 1-9, 2-3, 2-5, 2-7
8036098	6-17	8036288	9-19	8036432	5-109	8065641	1-3, 1-5, 1-7, 1-9
8036099	6-23	8036289	9-19	8036433	5-109	8080613	4-3
8036100	6-23	8036290	9-19	8036434	5-33, 5-67	80974028	4-3, 4-5
8036102	6-25	8036303	5-23	8036435	5-33, 5-67	8124138	2-15, 2-17
8036103	6-25	8036304	5-23, 5-60	8036436	5-37, 5-73	8127022	2-15
8036106	6-7	8036305	5-23, 5-60	8036444	5-59	8127024	2-17
8036107	6-7	8036307	5-23, 5-60	8036445	5-23, 5-59	8160078	7-21
8036108	6-7	8036308	5-23, 5-60	80364475-23	5-27, 5-59, 5-63	8160080	7-7
8036110	6-27	8036312	5-19	8036451	12-17	8160406	7-21
8036112	6-27	8036313	5-19	8036489	9-5, 9-7, 9-9	8160418	7-21
8036114	6-27	8036314	5-19, 5-23	8036498	9-3	8160419	7-17, 7-19
8036118	6-27	8036315	5-19	8036499	9-3	8160610	7-7
8036119	6-27	8036316	5-29	8036502	9-3	8162003	7-7, 7-9
8036120	6-27	8036317	5-29	8036517	9-31	8180215	4-17, 4-19
8036121	6-27	8036318	5-29	8036533	9-31	8180216	4-17, 4-19
8036122	6-27	8036319	5-29	8036546	4-15	8180311	4-15, 4-17, 4-19
8036124	6-27			8036580	9-21	8180324	4-17, 4-19
8036128	6-27			8036581	9-21	8180325	4-17, 4-19
8036129	6-28			8036582	9-21		



# PART NUMBER INDEX

Part Number	Page	Part Number	Page	Part Number	Page	Part Number	Page
8180326	4-17, 4-19	8272017	4-3	8303697	2-3, 2-5, 2-7, 4-15, 7-21		3-5, 3-9, 3-13, 3-15, 3-45
8180335	4-17, 4-19	8272027	4-5	8303702	4-5	8305644	1-3, 1-9, 2-3, 2-7, 2-9, 2-11, 2-15, 3-17, 3-19, 3-25, 4-3, 4-5, 4-7, 6-3, 7-3, 7-5, 9-9, 9-27, 12-27
8205655	9-3	8273027	4-23	8303704	4-17, 4-19		
8220073	10-7, 10-9	8273241	4-23, 4-25, 4-27	8303712	2-5		
8220366	10-9	8273303	4-23	8303715	3-15, 4-11, 4-13		
8223025	7-3, 7-5	8274022	4-11	8303724	4-5, 5-3		
8223037	7-15	8275045	4-31	8303729	1-11		
8223038	12-29	8275240	4-29	8303739	3-9, 4-23, 8-13, 8-15		
8223043	6-23, 6-25	8275247	4-29, 4-31, 12-35	8303743	4-15		
8223044	6-23	8275248	4-29	8303745	7-11, 10-13, 12-6, 12-10		
8223046	7-15	8277098	12-20	8303746	8-11		
8223049	7-13	8277101	12-20	8303752	1-3, 1-5, 1-7, 1-9, 8-13, 8-15		
8223054	7-15	8278007	4-5, 4-7, 5-3	8303755	4-5, 4-7, 7-3, 7-5, 8-3, 8-7		
8223057	12-5, 12-9	8278008	4-15	8303757	6-28, 8-11, 8-22, 8-27, 8-33		
8223059	12-3, 12-5, 12-9	8278012	4-5, 4-7	8303758	7-21		
8223060	12-5, 12-9	8278020	4-17, 4-19, 4-21	8303770	3-9		
8223073	12-9	8278031	4-15	8303772	2-11		
8223081	7-15	8278032	4-3	8303777	10-9, 10-13		
8223082	7-15, 12-24	8301443	7-17, 7-19, 7-21	8303782	1-3, 1-9, 2-3, 2-7, 9-9, 9-27		
8223083	12-29	8301456	3-17	8303784	4-3, 4-5, 4-7, 4-17, 4-19		
8223217	10-7	8302470	1-11, 7-17, 7-19, 7-21	8303790	4-3, 4-7, 7-7		
8223226	9-37, 9-39	8303034	6-3	8303798	4-17, 4-19		
8223232	10-7, 10-9	8303041	2-3, 2-5, 2-7	8303799	7-7		
8223242	10-7	8303106	4-17, 4-19	8303835	12-5, 12-9		
8223244	10-9	8303107	4-17, 4-19, 8-33, 8-35, 8-37	8303837	7-7		
8223453	7-15	8303264	8-3, 8-7, 8-17, 8-33	8303982	6-3		
8223532	10-7, 10-9	8303519	4-29, 5-3	8305002	7-7, 10-3, 10-5		
8224045	7-17	8303528	4-3	8305004	1-11, 4-19, 7-3, 7-5, 7-21, 10-7		
8224047	7-19	8303533	10-9	8305006	1-11, 8-11, 8-13, 8-15		
8225119	10-3, 10-5, 12-5, 12-9, 12-33	8303534	7-13	8305008	4-15, 12-20, 12-24		
8225122	12-24	8303540	7-3, 7-5, 7-7, 7-9, 7-19	8305012	3-17, 3-19		
8229233	10-3, 10-5, 12-3, 12-5, 12-9, 12-29	8303545	10-13, 12-24	8305014	1-11		
8229234	10-3, 10-5	8303606	4-17, 4-19	8305021	1-9		
8229235	10-3, 10-5, 12-9	8303615	1-11, 4-27	8305038	10-9, 10-13		
8229236	12-5	8303618	4-23, 4-25	8305043	10-7		
8229237	10-3, 10-5	8303620	2-3, 2-5, 2-7, 2-9, 4-15, 10-9	8305047	12-24		
8229238	10-3, 10-5, 12-3, 12-5, 12-9	8303621	2-3, 2-5, 2-7, 2-9	8305201	10-7		
8229259	12-24	8303622	8-25, 12-3, 12-5, 12-9	8305402	7-7, 7-9		
8229260	10-13, 12-24	8303624	2-15, 2-17	8305438	10-7		
8262166	4-3	8303625	1-5, 1-7, 2-5, 12-27	8305619	2-13		
8270134	10-7	8303626	3-17, 3-19, 6-3, 8-21, 12-27	8305624	3-45, 4-15, 4-17, 10-5, 10-9, 10-13		
8270144	10-9, 12-24	8303634	2-15, 3-5, 3-9, 3-13, 3-15, 3-45	8305626	1-3, 1-5, 1-7, 1-9, 3-9, 4-23, 4-25, 4-27, 6-19, 6-21, 9-37, 9-39, 12-3, 12-5, 12-6, 12-9, 12-10		
8270147	10-9, 10-13, 12-24	8303638	2-13	8305630	4-3		
8270148	10-9, 10-13, 12-24	8303655	2-3, 2-7	8305643	2-3, 2-7, 2-11, 2-15,		
8270220	4-3	8303656	1-11, 4-17				
8270221	4-3	8303658	3-45, 7-3, 7-5				
8270423	12-24	8303666	2-11				
8270424	12-24	8303670	4-17, 4-23, 12-3, 12-5				
8270425	12-24	8303674	6-19				
8270426	12-24	8303675	2-11, 4-15, 4-29, 4-31, 8-21				
8270427	12-24	8303679	2-11, 4-3				
8270620	10-7, 10-9, 10-13	8303681	2-3, 2-5, 2-7, 2-9, 2-11				
8270621	10-9, 10-13						
8270624	10-7, 10-9						



Part Number	Page	Part Number	Page	Part Number	Page	Part Number	Page
	10-13	8310215	5-3	8405203	4-15	8630019	5-3
8307109	4-15, 4-17, 7-3, 7-5, 7-7, 7-9, 7-19	8310235	2-9	8405209	4-21, 8-21	8640017	9-33
8307110	10-9, 10-13, 12-24	8310245	2-9	8405305	4-23, 4-25, 4-27	8640028	3-9, 3-13, 3-45
8307111	10-3, 10-5, 12-5, 12-9	8310246	4-17, 4-19	8405404	4-23	8640029	3-9, 3-13, 3-45
8307112	3-19, 3-25, 4-3, 6-3, 10-7	8310266	2-13	8405505	4-23, 4-25, 4-27	8640032	3-9, 3-13, 3-45
8307113	2-3, 2-5, 2-7	8310276	2-13	8406101	4-15, 4-17, 4-19	86401238-21	8-33, 8-35, 8-37
8307201	6-3	8310290	4-3	8406105	4-5, 4-7	8640208	8-21
8307202	1-11, 4-15, 4-27	8310300	12-20	8406302	4-3, 4-5, 4-13, 4-15, 4-17, 8-37, 10-13, 12-24	8640903	9-37
8307203	1-11, 4-15, 4-27	8310302	3-45	8410013	4-11, 4-13	8642001	3-9
83072031-11	3-9, 4-23, 4-25, 4-27, 8-15, 8-25, 9-34	8310326	9-33	8410021	4-25, 4-27	8642207	3-13, 3-15
8307204	2-3, 2-5, 2-7, 2-9, 2-11, 4-15, 10-7, 10-9, 12-3, 12-5, 12-9	8310327	9-33	84200533-9	3-11, 3-13, 3-15, 8-25	8642224	2-3, 2-5, 2-7, 2-11
8307205	6-19	8310337	8-21	84200553-9	3-11, 3-13, 3-15, 8-25	8642235	3-9
8307206	2-9, 7-3, 7-5, 12-27	8310344	10-7	8420229	4-11	8642237	2-15, 2-17
8307219	10-13, 12-24	8310354	4-5	8430022	8-3, 8-7, 8-21	8700116	7-7, 7-9
8307220	4-29, 10-9, 12-27	8310356	5-3	8430032	8-3, 8-7, 8-21	8721029	8-19
8307221	4-17, 4-19, 10-9, 10-13	8310362	6-3	8430033	8-21	8750003	8-13, 8-15
8307222	4-3, 4-17, 4-19	8310382	6-3	8430034	9-37, 9-39	8750011	8-25
8307904	2-11, 3-13, 3-15	8310393	8-21	8430046	8-21	8750012	8-21, 8-25
8307910	2-3, 2-5, 2-7	8310420	8-21	8430048	6-27	8750015	4-11, 4-13, 8-4, 8-7, 8-33
8307911	2-3, 2-5, 2-7	8310425	5-3	8430064	9-37	8750016	8-13
8307918	2-11, 3-13, 3-15	8310431	2-3, 2-5, 2-7	8430081	8-3, 8-7	8750017	4-11, 8-4, 8-7, 8-11, 8-13, 8-17, 8-21, 8-25, 8-27, 8-33
8310001	7-19	8310435	3-45	8440162	9-29	87500246-28	8-27, 8-29, 8-35
8310009	8-11, 8-13, 8-15, 8-21, 8-25	8310453	4-23	8466306	6-3	8750025	6-28, 8-11, 8-22, 8-27, 8-33
8310016	6-3	8310456	8-37	8500066	12-29	8750026	8-11, 8-27, 8-29, 8-31, 8-33, 8-35
8310019	2-15, 2-17	8310479	5-3	8500203	12-5, 12-9	87500278-15	8-17, 8-21, 8-25
8310020	2-15	8310481	1-3, 1-5, 1-7, 5-3	85200011-3	1-5, 1-7, 1-9, 2-5, 2-7, 2-15	8750040	8-11, 8-22, 8-29, 8-31, 8-33, 8-35
8310041	10-7	8310493	6-3	8520003	2-7, 2-17, 9-9, 9-27	8760045	8-13
8310051	1-7, 1-9	8310497	2-3, 2-5, 2-7	8520013	1-3, 2-3, 2-11, 3-9, 9-3	8760117	8-13
8310056	1-5, 1-7, 2-5	8310523	8-21, 10-13	8520021	1-3, 2-11	8760140	8-19
8310058	2-5	8310524	8-21	8520034	9-17	8760237	8-3, 8-19
8310061	5-3	8310525	9-34	85220121-3	1-5, 1-7, 1-9, 2-3, 2-5, 2-7, 2-11, 2-15, 2-17, 9-9, 9-27	8760268	8-17, 8-21
8310066	1-3, 1-5, 1-7, 1-9	8310529	6-8, 6-11	8526007	4-7	8760273	8-33, 8-35, 8-37
8310067	4-5, 4-7, 5-3	8310628	7-9	8526035	12-29	8760312	8-3
8310077	10-7	8310650	10-9	8526406	2-15	8760328	8-27
8310078	10-7	8310658	1-11	85300308-21	8-33, 8-35, 8-37	8760419	9-31
8310081	8-25	8310668	4-27	8540205	6-28	8760463	8-15
8310085	6-3, 12-5, 12-9	8310687	12-24	8540218	6-28	8760465	8-13, 8-15, 8-25
8310093	2-11	8310705	4-5	8540231	6-28	8760468	8-11
8310109	4-31, 4-33, 12-3, 12-35	8310725	7-11	8541435	9-37	8760477	8-13, 8-15
8310129	1-11	8310747	4-3	8551001	4-23, 4-25	8760552	9-37, 9-39
8310136	6-7	83191013	4-27	8580110	7-17, 7-19, 7-21	8765204	8-13, 8-25
8310143	7-17	8320262	4-3	8580311	12-20	8769122	8-13, 8-15, 8-25
8310144	7-17	8320265	9-37	8580315	3-13, 3-15	8769123	4-11, 4-13, 8-3, 8-7, 8-13, 8-15, 8-33
8310160	3-13, 3-15	8320270	4-11	8580420	1-11, 4-15, 4-27	8769128	8-11, 8-13, 8-15, 8-17, 8-21, 8-25
8310161	3-13, 3-15	8320275	4-5	8582007	10-3, 10-5	8769132	3-13, 3-15
8310163	9-37, 9-39	8340034	7-7	85840013-9	3-13, 3-15, 6-23, 10-7, 10-9, 12-3, 12-5, 12-9, 12-20, 12-24	8769139	8-11
8310164	12-27	8342808	1-11, 6-17	8584018	12-3, 12-5, 12-9	8769149	8-13, 8-15
8310195	3-25	8360005	6-27	8630003	3-45, 8-3, 8-7, 8-21	8769161	8-13, 8-15, 8-25
8310200	4-17, 4-19, 8-31	83671037	9-29			8770016	3-13, 3-15
8310209	2-9	83673130	12-31			8770078	4-17, 4-19
		83673133	12-31			8770109	8-3, 8-7
		83683175	4-33, 4-35, 12-35				
		8380008	3-21				
		8382017	3-25				
		8405007	6-27				
		8405009	4-11				
		84051044-15	4-17, 4-19, 4-21				
		8405202	4-19, 4-33, 4-35, 6-28, 12-35				



## PART NUMBER INDEX

Part Number	Page	Part Number	Page	Part Number	Page	Part Number	Page
8770120	8-3, 8-7		3-13, 3-15, 3-45				
8770157	8-11	90206196	1-11				
8770173	8-19	90451058	3-5, 3-9, 3-45				
8770175	8-3, 8-7	90551013	3-5, 3-9, 3-13				
8770183	8-3, 8-7	90554016	3-21, 3-23, 3-41				
8770189	8-3, 8-7	90554017	3-41				
8780031	5-111, 5-113, 5-115, 5-117	90554018	3-21, 3-41				
8780036	5-111, 5-113, 5-115, 5-117	90554020	3-21, 3-23				
8780045	5-111, 5-113, 5-115, 5-117	90554042	3-21, 3-23				
8780048	5-111, 5-113, 5-115, 5-117	90554045	9-41				
8780050	5-111, 5-113, 5-115, 5-117	90554054	3-21, 3-23				
8780264	5-111, 5-113, 5-115, 5-117	90554062	3-23, 3-41				
8786514	5-111, 5-113, 5-115, 5-117	90554065	3-41				
8786572	5-3	90554076	3-23, 3-41				
8786573	5-3	90554080	3-29				
88261017	7-19	91043125	3-21, 3-45, 3-49				
8841036	5-77	91043126	3-21, 3-45, 3-49				
88411094	12-3	91044080	9-43				
8841318	4-39	91081640	10-14				
8841319	4-41	91163129	4-21				
8864057	6-19	91344032	6-17				
8864058	6-19	91344043	6-7, 6-17, 6-27				
8866341	4-15, 4-17, 4-19	91364023	4-25, 4-27				
8866348	6-3	91401281	10-14				
8866351	6-3	91403193	5-3				
8866442	3-39	91403413	3-9, 3-11, 3-13, 3-15, 3-21, 3-45, 3-49, 8-25				
8866444	3-39	91403414	3-9, 3-11, 3-13, 3-15, 3-21, 3-45, 3-49, 8-25				
8866445	3-39	91404298	6-11, 6-27				
8866446	3-39	91404299	11-5				
8866464	3-39	91404301	6-11				
8866529	6-3	91404315	6-17				
8866530	6-3	91404317	6-17				
8866560	3-39	91404318	6-17				
8866561	3-39	91404319	6-17				
88671001	3-9, 3-11	91474023	9-33				
8880218	5-109	91474024	9-33				
8880219	5-109	91511145	7-5				
8902111	9-33	91513180	7-5				
8902175	8-3, 8-7	91563070	4-21				
8902187	9-31	91563164	6-21				
8902196	9-33	91565094	3-29				
8902197	9-33						
8902200	9-33						
8902274	8-3						
8902696	9-34						
8902697	9-34						
8902698	9-34						
8902857	8-17						
8902858	8-17						
8990147	6-3						
90022230	9-43						
90200003	3-5, 3-7, 3-9, 3-11,						





8990467



An Oshkosh Corporation Company

*JLG Industries, Inc.*  
1 JLG Drive  
McConnellsburg PA. 17233-9533  
USA  
Phone: +1-717-485-5161  
Customer Support Toll Free: 1-877-554-5438  
Fax: +1-717-485-6417

## **JLG Worldwide Locations**

---

JLG Industries (Australia)  
P.O. Box 5119  
11 Bolwarra Road  
Port Macquarie  
N.S.W. 2444  
Australia  
Phone: +61 2 65811111  
Fax: +61 2 65813058

JLG Latino Americana Ltda.  
Rua Antonia Martins Luiz, 580  
Distrito Industrial João Narezzi  
13347-404 Indaiatuba - SP  
Brazil  
Phone: +55 19 3936 8870  
Fax: +55 19 3935 2312

JLG Industries (UK) Ltd  
Bentley House  
Bentley Avenue  
Middleton  
Greater Manchester  
M24 2GP  
England  
Phone: +44 (0)161 654 1000  
Fax: +44 (0)161 654 1001

JLG France SAS  
Z.I. de Baulieu  
47400 Fauillet  
France  
Phone: +33 (0)5 53 88 31 70  
Fax: +33 (0)5 53 88 31 79

JLG Deutschland GmbH  
Max-Planck-Str. 21  
D - 27721 Ritterhude-Ihlpohl  
Germany  
Phone: +49 (0)421 69 350 20  
Fax: +49 (0)421 69 350 45

JLG Equipment Services Ltd.  
Rm 1107 Landmark North  
39 Lung Sum Avenue  
Sheung Shui N.T.  
Hong Kong  
Phone: +852 2639 5783  
Fax: +852 2639 5797

JLG Industries (Italia) s.r.l.  
Via Po. 22  
20010 Pregnana Milanese - MI  
Italy  
Phone: +39 029 359 5210  
Fax: +39 029 359 5845

JLG Europe B.V.  
Polaris Avenue 63  
2132 JH Hoofddorp  
The Netherlands  
Phone: +31 (0)23 565 5665  
Fax: +31 (0)23 557 2493

JLG Polska  
Ul. Krolewska  
00-060 Warszawa  
Poland  
Phone: +48 (0)914 320 245  
Fax: +48 (0)914 358 200

Plataformas Elevadoras  
JLG Iberica, S.L.  
Trapadella, 2  
P.I. Castellbisbal Sur  
08755Castellbisbal, Barcelona  
Spain  
Phone: +34 93 772 4 700  
Fax: +34 93 771 1762

JLG Sverige AB  
Enkopingsvagen 150  
Box 704  
SE - 176 27 Jarfalla  
Sweden  
Phone: +46 (0)850 659 500  
Fax: +46 (0)850 659 534